

Reflector Trim				Frame-In Kit	
<b>(Lens:)</b>	<b>Fresnel</b>	<b>Clear</b>	<b>Prismatic</b>	<b>S7218HU</b>	7" aperture, 2 lamp 18W Quad Tube CFL (120/277V) 4-pin
Clear Cone, White Flange	<b>8096FCLW</b>	<b>8096CCLW</b>	<b>8096PCLW</b>	<b>S7226HU</b>	7" aperture, 2 lamp 26W Quad Tube CFL (120/277V) 4-pin
Clear Cone, Polished Flange	<b>8096FCLP</b>	<b>8096CCLP</b>	<b>8096PCLP</b>	<b>Dimming Options:</b>	
White Cone, White Flange	<b>8096FWHW</b>	<b>8096CWHW</b>	<b>8096PWHW</b>	<b>S7218H</b>	<input type="checkbox"/> or <b>S7226H</b> <input type="checkbox"/>
	<b>Opal Diffuser</b>			<b>CU3</b>	Lightolier PowerSpec 3% Dimming (120/277V)
Clear Cone, White Flange	<b>8096DCLW</b>			<b>J1LD3</b>	Lutron 5% Dimming (120V)
Clear Cone, Polish Flange	<b>8096DCLP</b>			<b>J2LD3</b>	Lutron 5% Dimming (277V)
White Cone, White Flange	<b>8096DWHW*</b>			<b>JUM7</b>	Mark 7 Dimming (120/277V)
				<b>J1MX</b>	Mark 10 Dimming (120V)
				<b>J2MX</b>	Mark 10 Dimming (277V)
				Other dimming product available, please consult factory	

## Features

- Reflector:** 16 ga. Die-formed aluminum, Anobrite finish.
- Socket Cup:** Snaps onto reflector neck to assure consistently correct optical alignment without tools.
- Retaining Springs:** Precision-tooled steel friction springs secure reflector to mounting frame for quick, tool-less installation.
- Mounting Brackets:** 16 ga. steel. Adjust from inside of fixture. Use 3/4" or 1 1/2" lathing channel, 1/2" EMT, or optional mounting bars.
- Ballast/J-Box:** Outboard mounted to reduce heat transfer and maintain lamp efficacy and life. Service from below without tools.
- Shielding Media:** Molded acrylic. Available in fresnel lens, clear lens, or opal diffuser. Secured to aperture cone.
- Cone:** 16 ga. Alzak aluminum. Clear Iridescence Free finish or Comfort Clear™ low iridescence finish. Retained by friction springs; no loose parts.

## Electrical

**Note:** For ballast electrical data and latest lamp/ballast compatibility refer to "Ballast" specification sheet for complete electrical data.

UL listed for through branch circuit wiring with max of (8) No. 12 AWG, 90° C supply conductors.

## Options and Accessories

Comfort Clear™ Finishes <sup>1</sup>	Other Finishes
Clear <b>CCL</b>	White <b>WH</b>
Diffuse <b>CCD</b>	
Champagne Bronze <b>CCZ</b>	

<sup>1</sup>Specify desired flange

**W** White, **P** Polished

Emergency Add suffix **EM\***

Chicago Plenum Add suffix **LC**

## Options and Accessories (continued)

Existing/Thk. Ceiling **FA EC7\***  
 Emergency Lighting Kit **FA EM3E\* (4 pin)**  
**FA EM4E\* (4 pin)**

Fuse (Slow Blow) Add Suffix **F**

\*See Spec. Sheets: FAEC, FAEM

Mounting Bars & Accessories; see Specification Sheet MBA.  
 Sloped Ceiling Adapters; see Specification Sheet SCA.

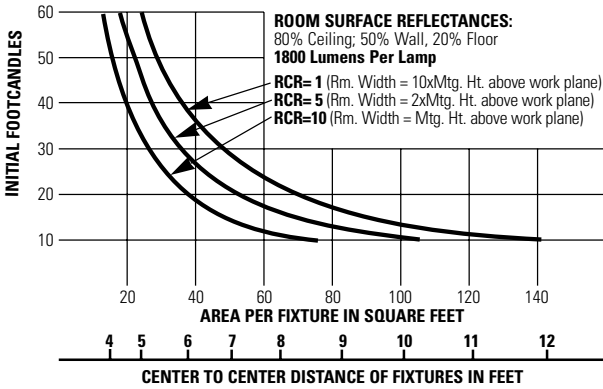
## Labels

All units are UL listed for wet locations, Opal Diffuser is UL listed for damp locations, I.B.E.W.

Alzak® is a registered trademark of ALCOA.

Job Information	Type:
<b>Job Name:</b>	
<b>Cat. No.:</b>	
<b>Lamp(s):</b>	
<b>Notes:</b>	

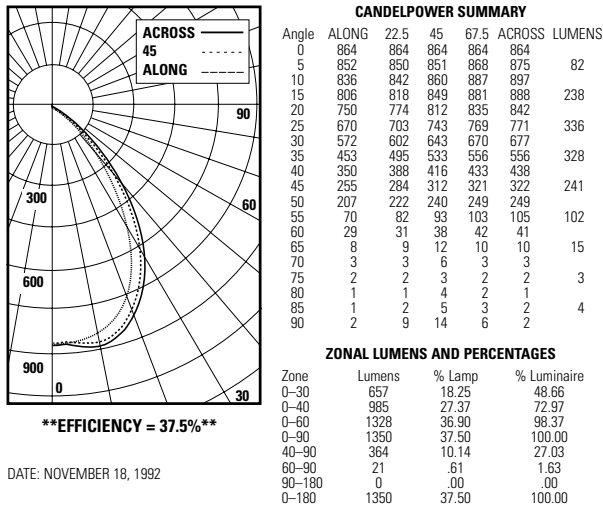
### 26W Fresnel Lens Quick Calculator



This quick calculator chart determines the number and spacing of 2 Lt. 26 watt Quad Tube units with Fresnel Lens and clear cone, for any level of illumination.  
Conversion Factors: 26W, Fresnel Lens with White Cone = F.C. x 0.9; 18W, Fresnel/Clear Cone = 0.8; 18W Fresnel/Clear Cone = 0.7.

### Spacing Ratio = 1.2

Certified Test Report Number: 2550  
COMPUTED BY: LSI PROGRAM "TEST-LITE"  
PREPARED FOR: LIGHTOLIER INC.  
APERTURE: 7 1/4"  
REFLECTOR: SPECULAR CLEAR ALZAK CONE WITH REGRESSED FRESNEL LENS  
LAMPS: TWO 26W QUAD TUBE LENS EACH RATED AT 1800 LUMINES.



DATE: NOVEMBER 18, 1992

TESTED ACCORDING TO IES PROCEDURES. TEST DISTANCE EXCEEDS FIVE TIMES THE GREATEST LUMINOUS OPENING OF LUMINAIRE.

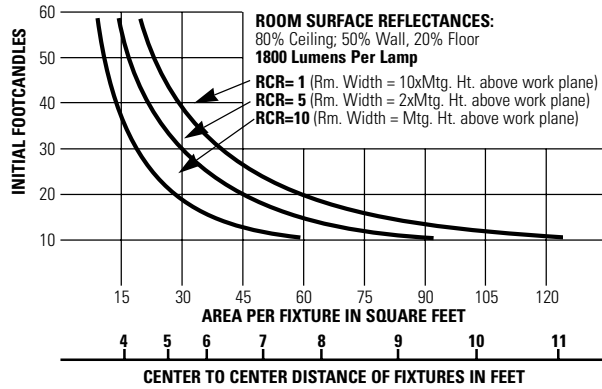
### Coefficients of Utilization

ROOM CAVITY RATIO	% Effective Ceiling Cavity Reflectance														
	80			70			50			30			0		
	50	30	10	50	30	10	50	30	10	50	30	10	0		
1	.41	.40	.39	.41	.40	.39	.39	.38	.38	.38	.37	.36	.36	.35	.35
2	.38	.37	.35	.38	.36	.35	.38	.35	.34	.34	.35	.34	.34	.34	.32
3	.35	.33	.32	.35	.33	.32	.34	.32	.31	.33	.32	.31	.32	.31	.30
4	.33	.31	.29	.32	.31	.29	.32	.30	.29	.31	.29	.28	.30	.29	.27
5	.30	.28	.26	.30	.28	.26	.29	.27	.26	.29	.27	.25	.28	.27	.25
6	.28	.26	.24	.28	.26	.24	.27	.25	.24	.27	.25	.24	.26	.25	.23
7	.26	.23	.22	.26	.23	.22	.25	.23	.22	.25	.23	.21	.24	.23	.21
8	.24	.21	.20	.24	.21	.20	.23	.21	.20	.23	.21	.19	.22	.21	.19
9	.22	.20	.18	.22	.20	.18	.21	.19	.18	.21	.19	.18	.21	.19	.17
10	.20	.18	.16	.20	.18	.16	.20	.18	.16	.20	.18	.16	.19	.17	.16

### 20% FLOOR CAVITY REFLECTANCE

Conversion Factors: 26W, Fresnel Lens with White Cone: C.U. x 0.9; 18W, Fresnel/Clear Cone = 1.1; 18W, Fresnel/White Cone = 1.0.

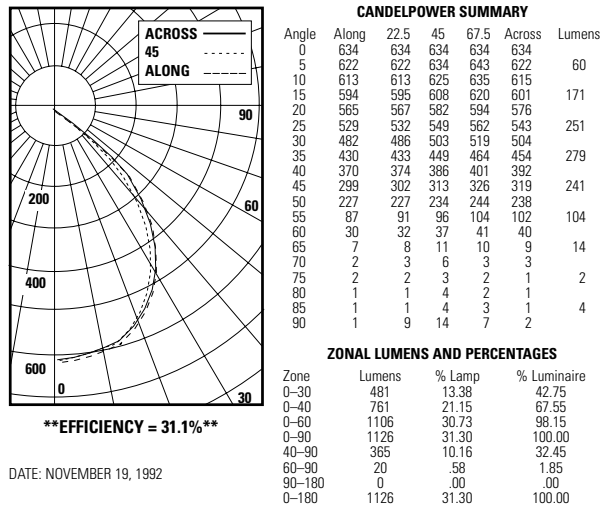
### 26W Opal Diffuser and Clear Lens Quick Calculator



This quick calculator chart determines the number and spacing of 2 Lt. 26 watt Quad Tube units with Opal Diffuser and Clear Cone for any level of illumination.  
Conversion Factors: Opal Diffuser/White Cone = F.C. x 0.9; Clear Lens/Clear Cone = F.C. x 1.2; Clear Lens/White Cone = F.C. x 1.1; 18W, Opal Diffuser/Clear Lens = 0.8; Opal Diffuser/White Cone = 0.7; Clear Lens/Clear Cone = 0.9; Clear Lens/White Cone = 0.8.

### Spacing Ratio = 1.2

Certified Test Report Number: 2551  
COMPUTED BY: LSI PROGRAM "TEST-LITE"  
PREPARED FOR: LIGHTOLIER INC.  
APERTURE: 7 1/4"  
REFLECTOR: SPECULAR CLEAR WITH REGRESSED OPAL DIFFUSER  
LAMPS: TWO 26W QUAD TUBE EACH RATED AT 1800 LUMINES.



DATE: NOVEMBER 19, 1992

TESTED ACCORDING TO IES PROCEDURES. TEST DISTANCE EXCEEDS FIVE TIMES THE GREATEST LUMINOUS OPENING OF LUMINAIRE.

### Coefficients of Utilization

ROOM CAVITY RATIO	% Effective Ceiling Cavity Reflectance														
	80			70			50			30			0		
	50	30	10	50	30	10	50	30	10	50	30	10	0		
1	.34	.33	.33	.34	.33	.32	.32	.31	.31	.31	.30	.30	.29	.29	
2	.32	.30	.29	.31	.30	.29	.30	.29	.28	.29	.28	.28	.27	.26	
3	.29	.27	.26	.29	.27	.26	.28	.27	.25	.27	.26	.25	.26	.25	.24
4	.27	.25	.23	.27	.25	.23	.26	.24	.23	.25	.24	.23	.25	.23	.22
5	.25	.23	.21	.24	.22	.21	.24	.22	.21	.23	.22	.21	.23	.21	.20
6	.23	.21	.19	.22	.20	.19	.22	.20	.19	.21	.20	.19	.21	.20	.18
7	.21	.19	.17	.20	.18	.17	.20	.18	.17	.20	.18	.17	.19	.18	.17
8	.19	.17	.15	.19	.17	.15	.18	.16	.15	.18	.16	.15	.18	.16	.15
9	.17	.15	.14	.17	.15	.14	.17	.15	.14	.17	.15	.13	.16	.15	.13
10	.16	.14	.12	.16	.14	.12	.15	.13	.12	.15	.13	.12	.15	.13	.12

### 20% FLOOR CAVITY REFLECTANCE

Conversion Factors: 26W, Opal Diffuser/White Cone: C.U. x 0.9; Clear Lens/Clear Cone: C.U. x 1.2; Clear Lens/White Cone: C.U. x 1.1; Opal Diffuser/Clear Lens = 1.1; Opal Diffuser/White Cone = 1.0; Clear Lens/Clear Cone = 1.3; Clear Lens/White Cone = 1.2.

<b>Job Information</b>	<b>Type:</b>
------------------------	--------------