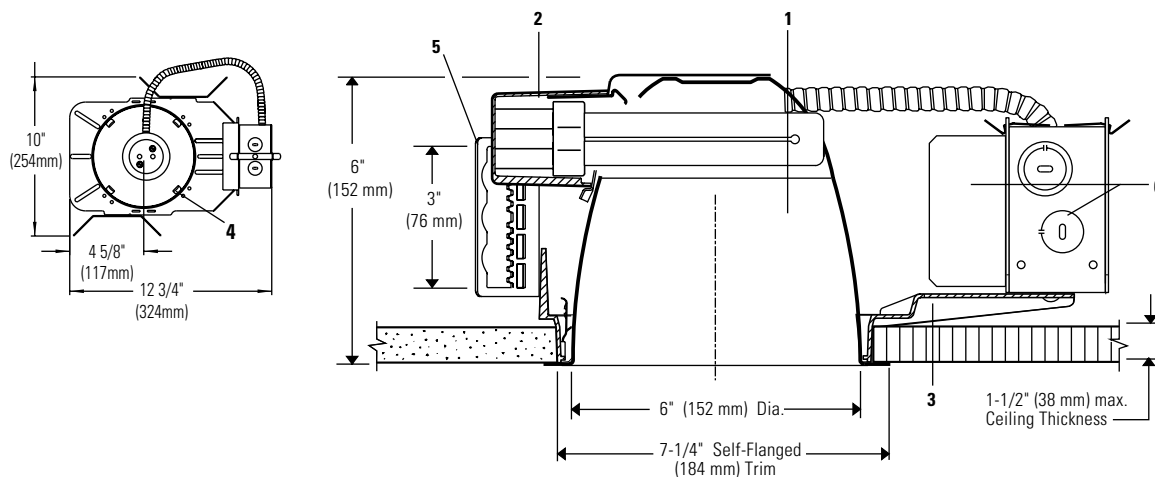


Calculite CFL 6", Open Downlight, (2) Quad Tube Horizontal Lamp

Project:	Catalog No:	Mfg:
Location:	Fixture Type:	Qty:
Notes:		Lamps:



Features

- Reflector:** Specular aluminum, 55° visual cutoff to lamp and lamp image, wide distribution. Iridescence Free finish. Self-flanged or flangeless with molded white trim ring (field paintable).
- Socket Cup:** Formed aluminum cup, pre-wired with socket. Snaps onto upper reflector for secure attachment without tools; assures proper lamp alignment to optics for consistent performance.
- Mounting Frame:** Galvanized stamped steel for dry or plaster ceilings.
- Retaining Springs:** Precision-tooled steel friction springs secure reflector to mounting frame for quick, tool-less installation.
- Mounting Brackets:** Galvanized Steel. Adjustable through aperture. Use 3/4" or 1 1/2" lathing channel, 1/2" EMT or optional mounting bars. See Options and Accessories for optional mounting bars.
- Ballast/J-Box:** Outboard mounted to reduce heat transfer and maintain lamp efficacy and life. Service from below without tools.

Options and Accessories

Emergency Lighting Kit	FA EM3E* or FA EM4E*
Adjustable Residential Mounting bars	7994
18" Mounting Bars (set of 2)	1950
27" Mounting Bars (set of 2)	1951

* See Spec. Sheets: **FAEC**, **FAEM**
Sloped Ceiling Adapters; see Specification Sheet **SCA**.

Ordering guide

Frame-In Kit	Lamp	Orientation	Voltage
S6		H	
S6 Steel Frame for 6" Aperture	213 (2) 13W Quad Tube 218 (2) 18W Quad Tube	H Horizontal	U Universal (120V/277V) EM Emergency -347 347V (for Canada)

Reflector	Finish	Flange
8051		
8051 6" aperture Calculite CFL open downlight	CL Specular Clear CCL Comfort Clear CCD Comfort Clear Diffuse CCZ Champagne Bronze ¹ WH White (painted)	blank Flangeless W White (painted) P Polished (matches aperture) blank Flangeless W White (painted)

1. Champagne Bronze (CCZ) is not available with Flangeless (blank).

Electrical

For ballast electrical data and latest lamp/ballast compatibility refer to "Ballast" specification sheet for complete electrical data. UL listed for through branch circuit wiring with max of (8) No. 12 AWG, 90°C supply conductors.

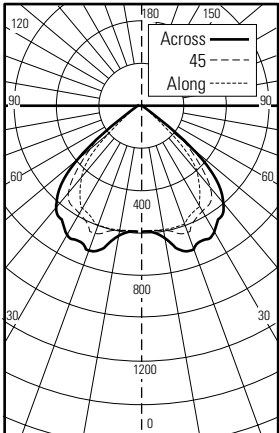
Labels

UL listed for damp locations, I.B.E.W.

Calculite CFL 6", Open Downlight, (2) Quad Tube Horizontal Lamp

Spacing Ratio: Along= 1.3 Across=1.6

CERTIFIED TEST REPORT NO. 0053FR COMPUTED BY LSI PROGRAM **TEST-LITE**
 CALCULITE 6" DIA. APERTURE RECESSED COMPACT FLOURESCENT OPEN DOWNLIGHT WITH
 CLEAR IRIDESCENCE FREE FINISH 2-18W PL-C PHILIPS LAMPS. LUMEN RATING = 1250 LMS.



** EFFICIENCY = 50.1% **
 DATE: OCT 10, 1996

CANDLEPOWER SUMMARY		O U T P U T LUMENS	
ANGLE ALONG	22.5	45	67.5 ACROSS
0	588	588	588
5	585	592	599
10	588	606	622
15	606	619	640
20	600	602	658
25	561	586	644
30	541	574	606
35	497	523	591
40	420	452	510
45	355	372	402
50	212	219	221
55	30	32	33
60	6	6	6
65	4	4	4
70	3	3	3
75	2	2	2
80	2	1	2
85	1	1	1
90	1	1	1

ZONAL LUMENS AND PERCENTAGES			
ZONE	LUMENS	% LAMP	%LUMINAIRE
0-30	528	21.13	42.14
0-40	881	35.26	70.31
0-60	1245	49.82	99.35
0-90	1253	50.15	100.00
40-90	372	14.89	29.69
60-90	8	.33	.65
90-180	0	.00	.00
0-180	1253	50.15	100.00

TESTED ACCORDING TO IES PROCEDURES. TEST DISTANCE EXCEEDS FIVE TIMES THE GREATEST LUMINOUS OPENING OF LUMINAIRE.

Coefficients Of Utilization

ROOM CAVITY RATIO		% EFFECTIVE CEILING CAVITY REFLECTANCE															
		80			70			50			30			10			0
		% WALL REFLECTANCE															
		50	30	10	50	30	10	50	30	10	50	30	10	50	30	10	0
1		.55	.54	.53	.54	.53	.52	.52	.51	.50	.50	.49	.49	.48	.48	.47	.46
2		.51	.49	.47	.50	.48	.47	.48	.47	.46	.47	.46	.45	.46	.45	.44	.43
3		.47	.44	.42	.46	.44	.42	.45	.43	.41	.44	.42	.40	.43	.41	.40	.39
4		.43	.40	.38	.43	.40	.38	.42	.39	.37	.41	.39	.37	.40	.38	.37	.36
5		.40	.37	.34	.39	.36	.34	.39	.36	.34	.38	.35	.34	.37	.35	.33	.32
6		.37	.33	.31	.36	.33	.31	.35	.33	.31	.35	.32	.30	.34	.32	.30	.29
7		.34	.30	.28	.33	.30	.28	.32	.29	.27	.32	.29	.27	.31	.29	.27	.26
8		.31	.27	.25	.30	.27	.25	.30	.27	.25	.29	.26	.24	.29	.26	.24	.23
9		.28	.24	.22	.28	.24	.22	.27	.24	.22	.27	.24	.22	.26	.23	.22	.21
10		.25	.22	.20	.25	.22	.19	.25	.22	.19	.24	.21	.19	.24	.21	.19	.18

20% FLOOR CAVITY REFLECTANCE



©2015 Koninklijke Philips N.V. All rights reserved.
 Philips reserves the right to make changes in specifications and/or to discontinue any product at any time without notice or obligation and will not be liable for any consequences resulting from the use of this publication.

Philips Lighting,
 North America Corporation
 200 Franklin Square Drive,
 Somerset, NJ 08873
 Tel. 855-486-2216

Imported by: Philips Lighting,
 A division of Philips Electronics Ltd.
 281 Hillmount Rd, Markham, ON,
 Canada L6C 2S3
 Tel. 800-668-9008