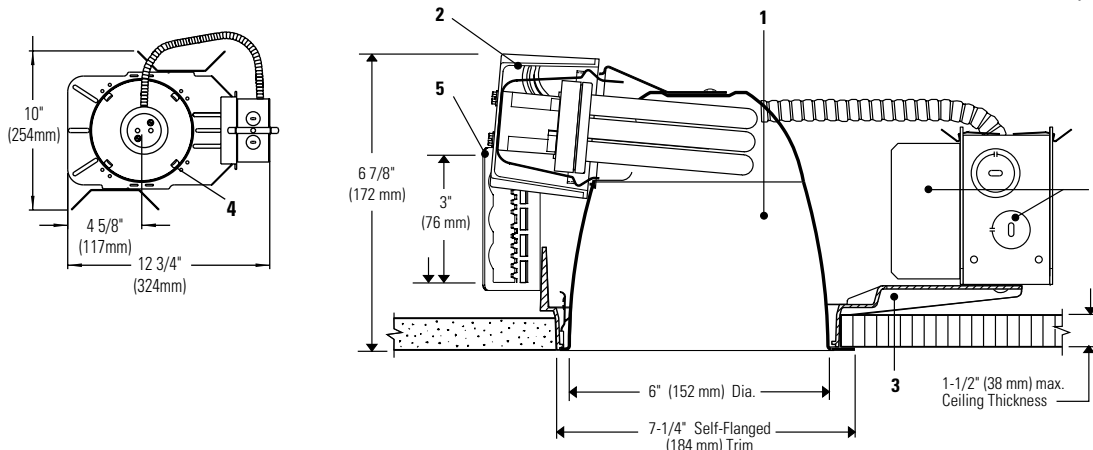


Calculite CFL 6", Open Downlight, Triple Tube Horizontal Lamp

Project:	Catalog No:	Mfg:
Location:	Fixture Type:	Qty:
Notes:		Lamps:



Features

- Reflector:** Specular aluminium, 55° visual cutoff to lamp and lamp image, medium distribution. Iridescence free finish. Self-flanged or molded white trim ring (field paintable).
- Socket Cup:** Galvanized steel, pre-wired with socket. Snaps onto reflector for secure attachment without tools; assures proper lamp alignment to optics for consistent performance.
- Mounting Frame:** Galvanized steel for dry or plaster ceilings. Accepts other 6" Triple Tube reflectors (see S6132BU Spec Sheet).
- Retaining Springs:** Precision-tooled steel friction springs secure reflector to mounting frame for quick, tool-less installation.
- Mounting Brackets:** Galvanized steel. Adjustable through aperture. Use 3/4" or 1 1/2" lathing channel, 1/2" EMT or optional mounting bars. See Options and Accessories for optional mounting bars.
- Ballast/J-Box:** Electronic 120V-277V. UL listed for through branch circuit wiring with max of (8) No. 12AWG, 90°C supply conductors. Outboard mounted to reduce heat transfer and maintain lamp efficacy and life. Service from below without tools.

Options and Accessories

Emergency Chicago Plenum	Add suffix EM* S6132BULC
Existing/Thk. Ceiling	FA EC6*
Emergency Lighting Kit	FA EM3E* or FA EM4E*
Fuse (Slow Blow)	Add suffix F
Adjustable Residential Mounting bars	7994
18" Mounting Bars (set of 2)	1950
27" Mounting Bars (set of 2)	1951
T-bar anchor clips (set of 4)	1956
for use with 18" or 27" Mounting bars	

* See Spec. Sheets: **FAEC**, **FAEM**
Sloped Ceiling Adapters; see Specification Sheet **SCA**.
IC Frame available; see **C6CFL32** specification sheet.

Ordering guide

Frame-In Kit	Lamp	Orientation	Dimming Options (Voltage) ¹
S6	132	B	
S6 Steel Frame for 6" Aperture	132 1 lamp 26/32W Triple Tube CFL	B Both Vertical & Horizontal	U Universal (120V/277V) JUM7 Mark 7 Dimming (120/277V) J1MX Mark 10 Dimming (120V) J2MX Mark 10 Dimming (277V)

Remodeler	Orientation	Input Voltage	Type
6132	B	U	RM
6132 6" aperture, 1 lamp 26/32W Triple Tube CFL	B Both Vertical & Horizontal	U Universal (120V/277V)	RM Remodeler

Reflector	Finish	Flange
8031		
8031 6" aperture Calculite CFL open downlight	CL Specular Clear CCL Comfort Clear CCD Comfort Clear Diffuse CCZ Champagne Bronze WH White (painted)	blank Flangeless W White (painted) P Polished (matches aperture) blank Flangeless W White (painted)

1. For other dimming products available, please consult factory.

Electrical

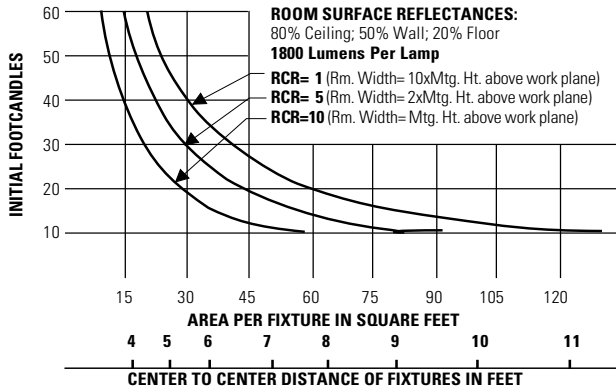
For ballast electrical data and latest lamp/ballast compatibility refer to "Ballast" specification sheet for complete electrical data. UL Listed for through branch circuit wiring with max of (8) No 12 AWG, 90°C supply conductors

Labels

UL listed for damp locations.

Calculite CFL 6", Open Downlight, Triple Tube Horizontal Lamp

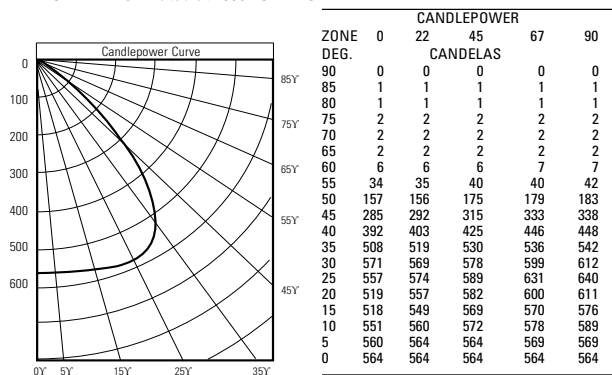
26W Quick Calculator



This quick calculator chart determines the number and spacing of 1 Lt.- 26W PL-T units with clear reflector, for any level of illumination.

Spacing Ratio = 1.4

Report No.: LRL 796-1A
PREPARED BY: LIGHTING RESEARCH LABORATORY, INC.
PREPARED FOR: LIGHTOLIER
DESCRIP.: 6" dia. x 6" Ht. recessed downlight - open bottom spun semispecular reflector; tilted horizontal lamp
LAMPS: 1 PLT-26W rated at 1800 LUMENS.



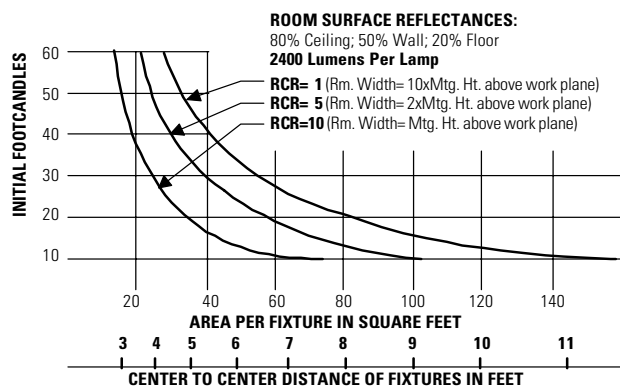
** EFFICIENCY = 61.6% **

Coefficients Of Utilization

ROOM CAVITY RATIO	% EFFECTIVE CEILING CAVITY REFLECTANCE																							
	80				70				50				30				10				0			
	50	30	10	0	50	30	10	0	50	30	10	0	50	30	10	0	50	30	10	0	50	30	10	0
1	.68	.66	.65	.67	.65	.64	.64	.63	.62	.62	.61	.60	.60	.59	.58	.57								
2	.63	.61	.59	.62	.60	.58	.60	.58	.57	.58	.57	.55	.57	.55	.54	.53								
3	.59	.56	.53	.58	.55	.53	.55	.54	.52	.55	.53	.51	.54	.52	.51	.50								
4	.54	.51	.48	.54	.51	.48	.52	.50	.47	.51	.49	.47	.50	.48	.46	.45								
5	.51	.47	.44	.50	.46	.44	.49	.46	.43	.48	.45	.43	.47	.45	.43	.42								
6	.47	.43	.40	.46	.43	.40	.45	.42	.40	.45	.42	.39	.44	.41	.39	.38								
7	.43	.39	.36	.43	.39	.36	.42	.39	.36	.41	.38	.36	.41	.38	.36	.35								
8	.40	.36	.33	.39	.36	.33	.39	.35	.33	.38	.35	.33	.37	.35	.32	.31								
9	.36	.32	.30	.36	.32	.30	.35	.32	.29	.35	.32	.29	.34	.31	.29	.28								
10	.32	.28	.25	.31	.27	.25	.31	.27	.24	.30	.27	.24	.30	.27	.24	.23								

20% FLOOR CAVITY REFLECTANCE

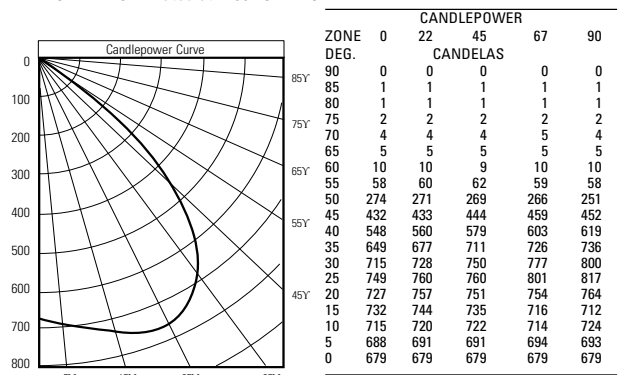
32W Quick Calculator



This quick calculator chart determines the number and spacing of 1 Lt.- 32W PL-T units with clear reflector, for any level of illumination.

Spacing Ratio = 1.4

Report No.: LRL 796-1B
PREPARED BY: LIGHTING RESEARCH LABORATORY, INC.
PREPARED FOR: LIGHTOLIER
DESCRIP.: 6" dia. x 6" Ht. recessed downlight - open bottom spun semispecular reflector; tilted horizontal lamp
LAMPS: 1 PLT-32W rated at 2400 LUMENS.



** EFFICIENCY = 62.2% **

Coefficients Of Utilization

ROOM CAVITY RATIO	% EFFECTIVE CEILING CAVITY REFLECTANCE																							
	80				70				50				30				10				0			
	50	30	10	0	50	30	10	0	50	30	10	0	50	30	10	0	50	30	10	0	50	30	10	0
1	.68	.67	.65	.67	.66	.64	.65	.63	.62	.62	.61	.60	.60	.59	.59	.58								
2	.64	.61	.59	.62	.60	.58	.60	.59	.57	.59	.57	.56	.57	.56	.54	.53								
3	.59	.56	.53	.58	.55	.53	.57	.54	.52	.55	.53	.51	.54	.52	.50	.49								
4	.55	.51	.48	.54	.50	.48	.52	.50	.47	.51	.49	.47	.50	.48	.46	.45								
5	.50	.47	.44	.50	.46	.43	.49	.46	.43	.48	.45	.43	.47	.44	.42	.41								
6	.47	.43	.40	.45	.42	.40	.45	.42	.39	.44	.41	.39	.43	.41	.39	.38								
7	.43	.39	.36	.42	.39	.36	.42	.39	.36	.42	.39	.36	.42	.39	.36	.35								
8	.39	.35	.32	.39	.35	.32	.38	.35	.32	.38	.34	.32	.37	.34	.32	.31								
9	.36	.32	.29	.36	.32	.29	.35	.31	.29	.34	.31	.29	.34	.31	.28	.27								
10	.31	.27	.24	.31	.27	.24	.30	.26	.24	.30	.26	.24	.29	.26	.24	.23								

20% FLOOR CAVITY REFLECTANCE



©2015 Koninklijke Philips N.V. All rights reserved.
Philips reserves the right to make changes in specifications and/or to discontinue any product at any time without notice or obligation and will not be liable for any consequences resulting from the use of this publication.

Philips Lighting,
North America Corporation
200 Franklin Square Drive,
Somerset, NJ 08873
Tel. 855-486-2216

Imported by: Philips Lighting,
A division of Philips Electronics Ltd.
281 Hillmount Rd, Markham, ON,
Canada L6C 2S3
Tel. 800-668-9008