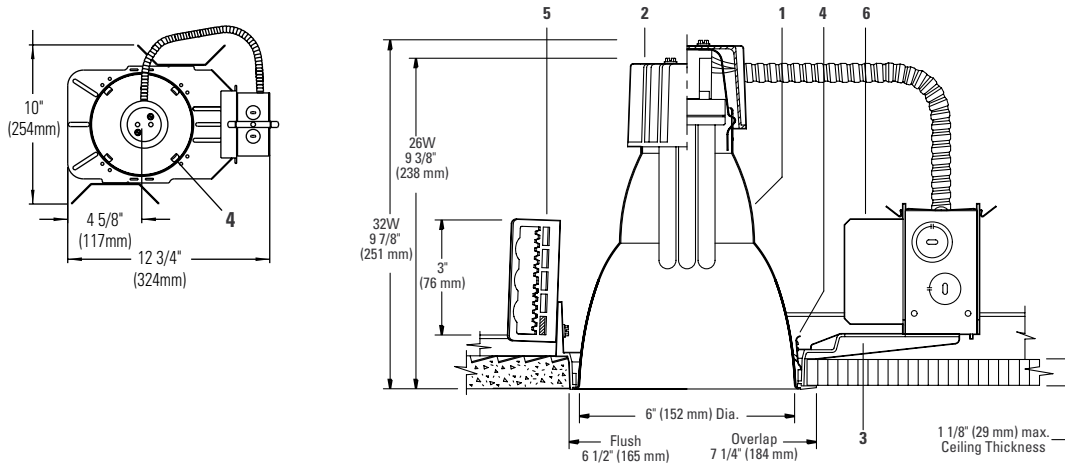


## Calculite CFL 6", Open Downlight, Triple Tube Vertical Lamp

Project:	Catalog No:	Mfg:
Location:	Fixture Type:	Qty:
Notes:		Lamps:



**Ceiling Cutout: 6 9/16" (167 mm) Dia.**

Reflector Trim		Frame-In Kit	
<b>8021 CCLW</b>	Comfort Clear™, White Flange	<b>S6132BU</b>	6" aperture, 1 lamp 26/32W Triple Tube CFL (120/277V) 4-Pin (Amalgam)
<b>8021 CCLP</b>	Comfort Clear™, Polished Flange		Standard Dimming Options: (Other dimming product available, please consult factory)
<b>8021 CCL</b>	Comfort Clear™, Molded Trim Ring	<b>S6132B</b>	<input type="checkbox"/>
<b>8021</b>	<input type="checkbox"/> Add suffix, See options below for other finishes.	<b>JUM7</b>	Mark 7 Dimming (120/277V)
		<b>J1MX</b>	Mark 10 Dimming (120V)
		<b>J2MX</b>	Mark 10 Dimming (277V)
Remodeler Frame-In Kits			
<b>6132BURM</b>			6" aperture, 1 lamp 26/32W Triple Tube CFL (120/277V) 4-Pin (Amalgam)

### Features

- Reflector:** 16 ga. aluminum, 50° visual cutoff to lamp and lamp image, medium distribution. Comfort Clear™ low iridescence finish. Self-flanged or flangeless with molded white trim ring (field paintable).
- Socket Cup:** Effectively dissipates heat and positions lamp holder. Snaps onto reflector neck to assure consistently correct optical alignment without tools.
- Mounting Frame:** Galvanized steel for dry or plaster ceilings. Accepts other 6" Triple Tube reflectors (see S6132BU Spec Sheet).
- Retaining Springs:** Precision-tooled steel friction springs secure reflector to mounting frame for quick, tool-less installation.
- Mounting Brackets:** 16 ga. steel. Adjust from inside of fixture. Use 3/4" or 1 1/2" lathing channel, 1/2" EMT, or optional mounting bars.
- Ballast/J-Box:** Electronic 120V-277V. UL listed for through branch circuit wiring with max of (8) No. 12 AWG, 90°C supply conductors. Outboard mounted to reduce heat transfer and maintain lamp efficacy and life. Service from below without tools.

### Electrical

**Note:** For ballast electrical data and latest lamp/ballast compatibility refer to "Ballast" specification sheet for complete electrical data.  
UL Listed for through branch circuit wiring with max of (8) No 12 AWG, 90 degree C supply conductors.

### Options and Accessories

Comfort Clear™ Finishes <sup>1</sup>		Other Finishes	
Diffuse	<b>CCD</b>	White	<b>WH</b>
Champagne Bronze	<b>CCZ</b>	Specular Clear	<b>CL</b>

<sup>1</sup>Specify desired flange. **W** White, **P** Polished, Blank - Molded Ring

Emergency Ltg. Kit	<b>FA EM3E or FA EM4</b> (See Spec. Sheet: FAEM, FAEC)
Fuse (Slow Blow)	Add suffix <b>F</b>
Existing/Thk. Ceiling	<b>FA EC6*</b>
Emergency	Add suffix <b>EM*</b>
Chicago Plenum	Use S6132BULC

Mounting Bars & Accessories; see Specification Sheet MBA.  
Sloped Ceiling Adapters; see Specification Sheet SCA.

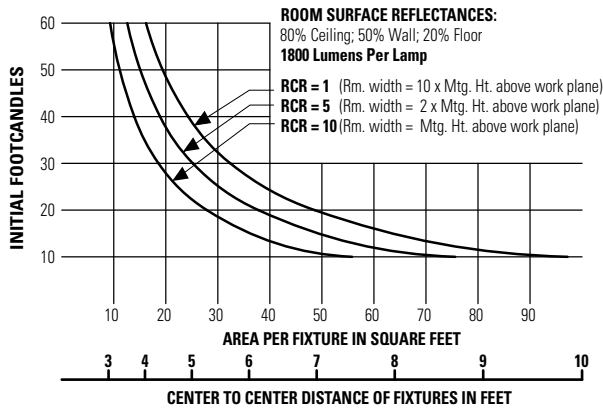
IC Frame available; see **C6CFL32** Specification Sheet.

### Labels

UL Listed for damp locations.

## Calculite CFL 6", Open Downlight, Triple Tube Vertical Lamp

### 26W Quick Calculator



This quick calculator chart determines the number and spacing of 1 Lt.- 26W TTT units with Comfort Clear™ reflector, for any level of illumination.

### Coefficients of Utilization

EFFECTIVE FLOOR CAVITY REFLECTANCE = .20

ROOM CAVITY RATIO	WALL OF REFLECTANCE															
	80			70			50			30			10			
	50	30	10	50	30	10	50	30	10	50	30	10	50	30	10	
1	.54	.53	.52	.53	.52	.51	.51	.50	.49	.49	.48	.48	.47	.47	.46	.46
2	.50	.49	.47	.50	.48	.47	.48	.47	.46	.47	.46	.45	.45	.45	.44	.43
3	.47	.45	.44	.47	.45	.43	.46	.44	.43	.44	.43	.42	.43	.42	.41	.41
4	.45	.42	.40	.44	.42	.40	.43	.41	.40	.42	.41	.39	.41	.40	.39	.38
5	.42	.39	.37	.42	.39	.37	.41	.39	.37	.40	.38	.37	.39	.38	.36	.36
6	.40	.37	.35	.39	.37	.35	.39	.36	.35	.38	.36	.34	.37	.36	.34	.34
7	.37	.34	.33	.37	.34	.32	.36	.34	.32	.36	.34	.32	.35	.33	.32	.31
8	.35	.32	.30	.34	.32	.30	.34	.32	.30	.34	.31	.30	.33	.31	.30	.29
9	.33	.30	.28	.32	.30	.28	.32	.30	.28	.32	.29	.28	.31	.29	.28	.27
10	.31	.28	.26	.30	.28	.26	.30	.28	.26	.30	.27	.26	.29	.27	.26	.25

### Spacing Ratio = 1.0

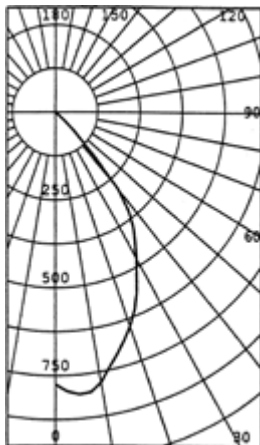
REPORT NO: LSI 14025  
LIGHTOLIER RECESSED FLUORESCENT LUMINAIRE,  
WITH COMFORT CLEAR™ REFLECTOR  
ONE 26 WATT CPFL GE LAMP,  
CAT# F26TBX/SPX35-835.  
LUMEN RATING = 1800 LMS.

**ZONAL SUMMARY**

ANGLE	CP	LUMENS
0		775
5		806
10		780
15		708
20		646
25		566
30		478
35		402
40		285
45		78
50		13
55		4
60		2
65		1
70		1
75		1
80		0
85		0

**ZONAL LUMENS AND PERCENTAGES**

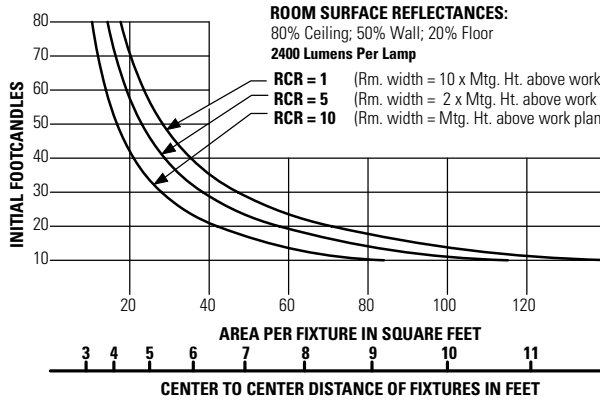
ZONE	LUMENS	%LAMP	%LUMINAIRE
0-30	533	29.66	61.66
0-40	778	43.25	89.92
0-60	863	47.98	99.75
0-90	865	48.10	100.00
40-90	87	4.85	10.08
60-90	2	.12	.25
90-180	0	.00	.00
0-180	865	48.10	100.00



\*\*EFFICIENCY=48.1%\*\*  
DATE: 4-23-99  
CIE TYPE DIRECT  
LUMINOUS DIAMETER: 6.000  
THIS REPORT BASED ON LM-1 AND  
OTHER PERTINENT IES PROCEDURES.

## Calulite CFL 6", Open Downlight, Triple Tube Vertical Lamp

### 32W Quick Calculator



This quick calculator chart determines the number and spacing of 1 ft. - 32W TTT units with Comfort Clear™ reflector, for any level of illumination

### Coefficients of Utilization

EFFECTIVE FLOOR CAVITY REFLECTANCE = .20

ROOM CAVITY RATIO	WALL OF REFLECTANCE															
	80			70			50			30			10			
	50	30	10	50	30	10	50	30	10	50	30	10	50	30	10	
1	.59	.58	.57	.58	.57	.56	.56	.55	.54	.54	.53	.53	.52	.52	.51	.50
2	.56	.54	.53	.55	.54	.52	.54	.52	.51	.52	.51	.50	.51	.50	.49	.48
3	.53	.51	.50	.53	.51	.49	.51	.50	.49	.50	.49	.48	.49	.48	.47	.46
4	.51	.48	.47	.50	.48	.46	.49	.47	.46	.48	.46	.45	.47	.46	.45	.44
5	.48	.46	.44	.48	.45	.44	.47	.45	.43	.46	.44	.43	.45	.44	.43	.42
6	.46	.43	.42	.46	.43	.41	.45	.43	.41	.44	.42	.41	.44	.42	.41	.40
7	.44	.41	.39	.43	.41	.39	.43	.41	.39	.42	.40	.39	.42	.40	.39	.38
8	.41	.39	.37	.41	.39	.37	.41	.38	.37	.40	.38	.37	.40	.38	.36	.36
9	.39	.36	.35	.39	.36	.35	.38	.36	.35	.38	.36	.34	.38	.36	.34	.34
10	.35	.32	.31	.35	.32	.31	.35	.32	.30	.34	.32	.30	.34	.32	.30	.30

### Spacing Ratio = 1.1

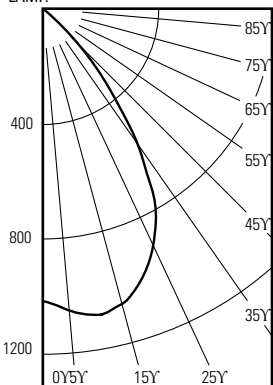
REPORT PREPARED FOR: LIGHTOLIER 04-27-1999  
REPORT NO: LRL 499-9G  
LAMPS: 1 PLT-32 LUMENS: 2400  
DESCRIP: 6" DIA X 10" HT RECESSED DOWNLIGHT  
WITH COMFORT CLEAR™ REFLECTOR. VERTICAL LAMP.

#### ZONAL SUMMARY

ZONE AVG* ZONAL DEG. C.P. LUMENS		
180	0	
175	0	0
165	0	0
155	0	0
145	0	0
135	0	0
125	0	0
115	0	0
105	0	0
95	0	0
90	0	0
85	1	1
75	1	1
65	3	3
55	9	8
45	99	77
35	563	354
25	904	418
15	1063	301
5	1066	102
0	1035	

#### ZONAL LUMENS AND PERCENTAGES

ZONE LUMENS	% LAMP	% LUMINAIRE
0-30	821	34.2
0-40	1175	49.0
0-60	1260	52.5
0-90	1265	52.7
40-90	90	3.8
60-90	5	0.2
90-120	0	0.0
90-150	0	0.0
90-180	0	0.0
0-180	1265	52.7



\*\*EFFICIENCY=52.7%\*\*  
DATE: 4-27-99  
CIE TYPE DIRECT  
LUMINOUS DIAMETER: 6.000  
THIS REPORT BASED ON LM-1 AND OTHER PERTINENT IES PROCEDURES.



© 2015 Koninklijke Philips Electronics N.V. All rights reserved.  
Specifications are subject to change without notice.  
www.philips.com/luminaires

8021 10/15

Philips Lighting Company  
200 Franklin Square Drive  
Somerset, NJ 08873  
Phone: 855-486-2216

Philips Lighting Company  
281 Hillmount Road  
Markham ON, Canada L6C 2S3  
Phone: 855-486-2216