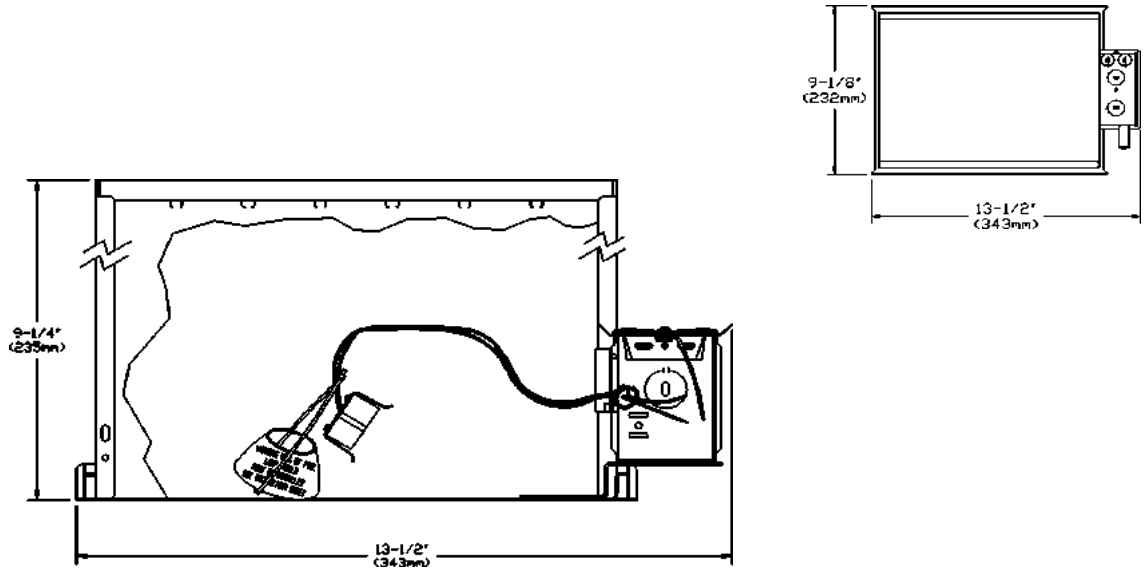




3 3/4" (95mm) aperture
Line Voltage 120V ES/ESD16
IC Frame-In-Kit

Lytecaster
Recessed Downlight

302ESICX



Complete fixture consists of Reflector Trim & Frame-in Kit. Select each separately

POWER PACK	CUT-OUT	REFLECTOR TRIM
302ESICX	3 3/4" (95mm)	Accepts most 3 3/4" (95mm) 300 serie trims ; see Reflector Trim specification sheets.

Features

- Mounting Frame** : 20ga. galvanized steel. Four slots are positioned 90° apart to simplify alignment.
- Insulated Ceiling Housing** : 26ga. galvanized steel. CSA certified and UL listed for direct contact with thermal insulation.
- Internal thermal cut-out** : insures against overheating due to incorrect lamping.
- Mounting Bars**: (4) 18 ga. galvanized steel. 13" (330mm) long bars extend to 27" (686mm), rotatable and lockable, integral T-bar tabs. Spike detail eliminates the need of additional nailing.
- Mounting Bars Locking Clip** : (1) locks mounting bars in place.
- Socket** : Porcelain body ; Twist and lock (GZ base) Pre-wired with 18 ga. Teflon 250° leads to junction box.
- Junction Box** : 4"(102mm) x 3"(76mm) x 2"(51mm) 18 ga. galvanized steel . CSA/UL certified for maximum of 8 No. 12 ga. 90° C through branch circuit conductors. Integral cable clamp permit attachment of non metallic Loomex without need of additional connectors. Pry-out knock-outs accept BX cable. Easy access from both sides with snap-on covers.

Accessories

- Mounting Bars Extenders : 1964**
20" (508mm) long. Set of 2
- Mounting Bar Locking Clips : 0098**
To lock mounting bars in place after installation. Set of 12.
- Vapor Barrier Extender : VBE300**
Polyvinyl Air Vapour Barrier ; to comply with provincial legislation. For all non Air-Seal frame-In-Kits.

Labels : CSA , UL

Damp or Wet location rated depending on trim used.

WE RESERVE THE RIGHT TO CHANGE DETAILS OF DESIGN, MATERIALS AND FINISH, IN ANY WAY THAT WILL NOT ALTER INSTALLED APPEARANCE OR REDUCE FUNCTION AND PERFORMANCE.

Lightolier CFI, 3015 Louis Amos Lachine, (Quebec) H8T 1C4

LIGHTOLIER®