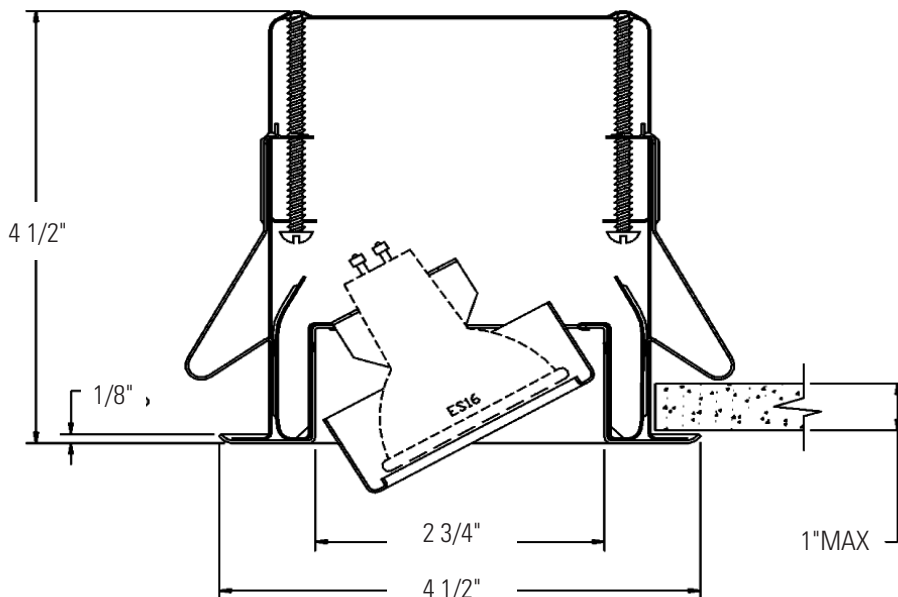




Lytecaster Recessed Downlighting **330X**



Complete fixture consists of Reflector Trim & Frame-in Kit. Select each separately

Reflector Trim		Frame-In Kit	Face Plate	Lamp
330BKX	Black Paint	REMODELER	300ESX	50W ES/ESD16 (GZ10)
330WHX	White Paint	NON-IC	302ESX	50W ES/ESD16 (GZ10)
		IC	302ESICX	50W ES/ESD16 (GZ10)
		AIR SEAL/IC	302ESAICX	50W ES/ESD16 (GZ10)

Features

- Housing:** 25ga galvanized steel.
- Residence Mounting Clip:** Factory-installed; zinc plated spring steel; free-hand installation.
- Flange Housing:** Cold rolled steel 22ga.
- Adjustable Lampholder Support:** 27ga. steel; Rotates 358° horizontally and 0° to 30° vertically.
- Mounting Clips (2):** 24ga. spring steel, zinc plated. Provide easy snap-in / snap-out action.

Frame-In Kit

Note : For complete Frame-In Kit specifications, see 300 frame specification sheets

Labels:

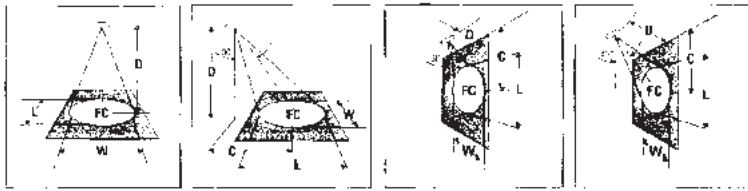
CSA , UL Suitable for damp and wet locations.

Job Information	Type:
Job Name:	
Cat. No.:	
Lamp(s):	
Notes:	



IFC is focal front distance at center of beam.
Beam length (L) and beam width (W) are to corners of candlepower is reduced to 50% of center foot candlepower.
C.B.C.P. is beam candlepower.
ICJ is distance to the center of the beam.

Layout data shown is typical, and is based on base lamp photometrics. Contact lamp manufacturers for availability and performance.



Lamp	Beam Spread (50% C.B.C.P.)	C.B.C.P.	Power (LUMENS)	0° AIMING ANGLE				30° AIMING ANGLE				30° AIMING ANGLE				45° AIMING ANGLE			
				D	FC	L	W	D	C	FC	L	W	D	C	FC	L	W		
MR-16 LOW VOLTAGE HALOGEN BI-PIN LAMPS																			
20W MR-16 NSP (ESK)	12°	8700	3000	7' 10"	0.9'	0.6'	8'	5.5'	5.8'	1.1'	0.8'								
				10' 02"	1.2'	1.2'	9'	5.9'	6.8'	1.5'	1.1'								
				12' 06"	1.6'	1.6'	10'	6.3'	8.7'	2.0'	1.7'								
20W MR-16 NSP (ESK)	13°	2600	3000	6' 100"	0.4'	0.4'	7'	3.9'	4.1'	1.2'	0.9'								
				8' 56"	0.8'	0.8'	7'	4.0'	4.8'	1.1'	0.8'								
				11' 25"	1.3'	1.3'	8'	4.2'	5.7'	1.2'	0.9'								
20W MR-16 FL BAB	40°	540	4000	2' 131"	0.3'	0.3'	3'	1.2'	1.5'	2.0'	1.7'								
				3' 58"	0.3'	0.3'	3'	1.1'	1.8'	2.0'	1.7'								
				4' 33"	0.3'	0.3'	4'	2.0'	2.8'	3.4'	3.4'								
20W MR-16 NSP (HBI)	12°	3100	4000	7' 178"	1.5'	1.1'	8'	6.3'	157'	1.9'	1.4'								
				10' 07"	2.1'	1.7'	9'	6.2'	170'	2.5'	2.2'								
				12' 34"	2.7'	2.7'	10'	6.8'	189'	3.4'	3.1'								
20W MR-16 SP (HRA)	23°	680	4000	6' 108"	2.1'	2.1'	7'	5.2'	101'	2.8'	2.3'								
				8' 04"	2.8'	2.8'	7'	5.2'	117'	3.4'	2.7'								
				10' 27"	3.5'	3.5'	8'	5.7'	133'	4.2'	3.3'								
30W MR-16 FL (SMA)	40°	1600	3600	4' 100"	0.4'	0.4'	7'	4.5'	152'	1.6'	1.4'								
				5' 04"	0.4'	0.4'	7'	4.6'	167'	1.6'	1.4'								
				6' 16"	0.4'	0.4'	8'	4.8'	183'	1.6'	1.4'								
30W MR-16 IR (NSP)	10°	11500	4000	8' 130"	1.4'	1.4'	7'	4.5'	152'	1.6'	1.4'								
				10' 02"	2.1'	2.1'	8'	4.8'	167'	1.6'	1.4'								
				12' 27"	2.7'	2.7'	9'	5.1'	183'	1.6'	1.4'								
30W MR-16 FL (NPL)	25°	3500	4000	3' 57"	2.7'	2.7'	5'	2.5'	61'	3.0'	2.9'								
				5' 05"	3.5'	3.5'	5'	2.6'	67'	3.0'	2.9'								
				7' 34"	4.4'	4.4'	6'	2.8'	74'	3.0'	2.9'								
30W MR-16 NSP (HBI)	40°	2000	4500	4' 128"	2.3'	2.9'	5'	2.8'	57'	3.1'	4.2'								
				5' 57"	3.0'	3.8'	5'	2.8'	63'	3.1'	4.2'								
				8' 39"	3.8'	5.0'	5'	3.0'	70'	3.1'	4.2'								
40W MR-16 VNSP (LCVI)	9°	13700	3900	8' 205"	1.3'	1.3'	7'	4.3'	134'	1.8'	1.3'								
				10' 01"	1.9'	1.9'	8'	4.6'	149'	1.8'	1.3'								
				12' 21"	2.5'	2.5'	9'	4.9'	164'	1.8'	1.3'								
40W MR-16 NPL (ESK)	27°	7400	4000	4' 152"	1.9'	1.9'	7'	4.3'	133'	1.8'	1.3'								
				5' 07"	2.7'	2.7'	7'	4.4'	148'	1.8'	1.3'								
				6' 03"	3.5'	3.5'	8'	4.6'	163'	1.8'	1.3'								
50W MR-16 NSP (HBI)	14°	12200	4000	6' 185"	2.6'	2.7'	7'	4.9'	133'	2.3'	2.0'								
				8' 12"	3.1'	3.1'	8'	5.2'	149'	2.3'	2.0'								
				10' 10"	3.8'	3.8'	9'	5.5'	164'	2.3'	2.0'								
50W MR-16 HBI (HBI)	27°	3400	4000	6' 91"	2.5'	2.9'	5'	2.0'	86'	3.3'	2.8'								
				8' 51"	3.0'	3.8'	5'	2.1'	92'	3.3'	2.8'								
				10' 34"	3.5'	5.0'	6'	2.3'	100'	3.3'	2.8'								
50W MR-16 FL (HRA)	40°	1400	4000	4' 115"	2.9'	2.9'	5'	1.7'	50'	3.3'	2.8'								
				5' 51"	4.4'	4.4'	5'	1.8'	56'	3.3'	2.8'								
				7' 26"	5.9'	5.9'	6'	1.9'	62'	3.3'	2.8'								
50W MR-16 VPL (NPL)	30°	1150	3900	3' 126"	3.1'	3.1'	5'	1.7'	35'	4.6'	3.6'								
				5' 46"	5.2'	5.2'	5'	1.8'	41'	4.6'	3.6'								
				7' 23"	7.3'	7.3'	6'	1.9'	47'	4.6'	3.6'								
70W MR-16 SP	10°	14020	4000	8' 216"	1.4'	1.4'	7'	4.0'	136'	1.8'	1.4'								
				10' 02"	2.1'	2.1'	8'	4.3'	151'	1.8'	1.4'								
				12' 00"	2.8'	2.8'	9'	4.6'	166'	1.8'	1.4'								
70W MR-16 FL	36°	2500	4000	4' 152"	2.5'	2.5'	5'	1.7'	180'	2.7'	2.3'								
				5' 09"	3.3'	3.3'	6'	1.8'	196'	2.7'	2.3'								
				6' 09"	4.1'	4.1'	7'	2.0'	212'	2.7'	2.3'								
75W MR-16 NSP (NSA)	40°	12000	4000	6' 188"	2.0'	2.7'	5'	1.5'	50'	2.3'	2.0'								
				8' 37"	3.1'	3.9'	6'	1.6'	56'	2.3'	2.0'								
				10' 59"	4.1'	5.4'	7'	1.7'	62'	2.3'	2.0'								
75W MR-16 HBI (FLA)	25°	4900	4000	6' 106"	2.7'	2.7'	5'	1.5'	52'	2.7'	2.3'								
				8' 17"	3.5'	3.5'	6'	1.6'	58'	2.7'	2.3'								
				10' 49"	4.4'	4.4'	7'	1.7'	64'	2.7'	2.3'								
75W MR-16 FL (EVC)	40°	2100	4000	4' 161"	3.1'	3.1'	5'	1.7'	157'	3.7'	2.7'								
				5' 58"	4.6'	4.6'	6'	1.8'	173'	3.7'	2.7'								
				7' 33"	6.1'	6.1'	7'	2.0'	189'	3.7'	2.7'								

MR-16 HALOGEN LOW VOLTAGE BI-PIN LAMPS WITH ALUMINIZED (NON-DICHROIC) REFLECTORS																
50W MR-16 NSP	11°	0.5XC	3520	8' 154"	1.5'	1.5'	7'	4.0'	120'	1.8'	1.6'					
				10' 07"	2.0'	2.0'	8'	4.3'	135'	1.8'	1.6'					
				12' 06"	2.6'	2.6'	9'	4.6'	150'	1.8'	1.6'					
50W MR-16 HPL	20°	3000	3500	6' 65"	3.7'	3.7'	5'	2.3'	78'	3.0'	2.5'					
				8' 40"	4.5'	4.5'	6'	2.4'	84'	3.0'	2.5'					
				10' 20"	5.3'	5.3'	7'	2.5'	90'	3.0'	2.5'					
50W MR-16 FL	40°	1900	3500	4' 116"	2.9'	2.9'	5'	1.7'	137'	3.0'	2.5'					
				5' 37"	3.5'	3.5'	6'	1.8'	152'	3.0'	2.5'					
				7' 04"	4.4'	4.4'	7'	2.0'	167'	3.0'	2.5'					

Job Information **Type:**

Lightolier a Genlyte company www.lightolier.com
631 Airport Road, Fall River, MA 02720 • (508) 679-8131 • Fax (508) 674-4710
We reserve the right to change details of design, materials and finish.
© 2012 Genlyte Group LLC • C0208

LIGHTOLIER[®]