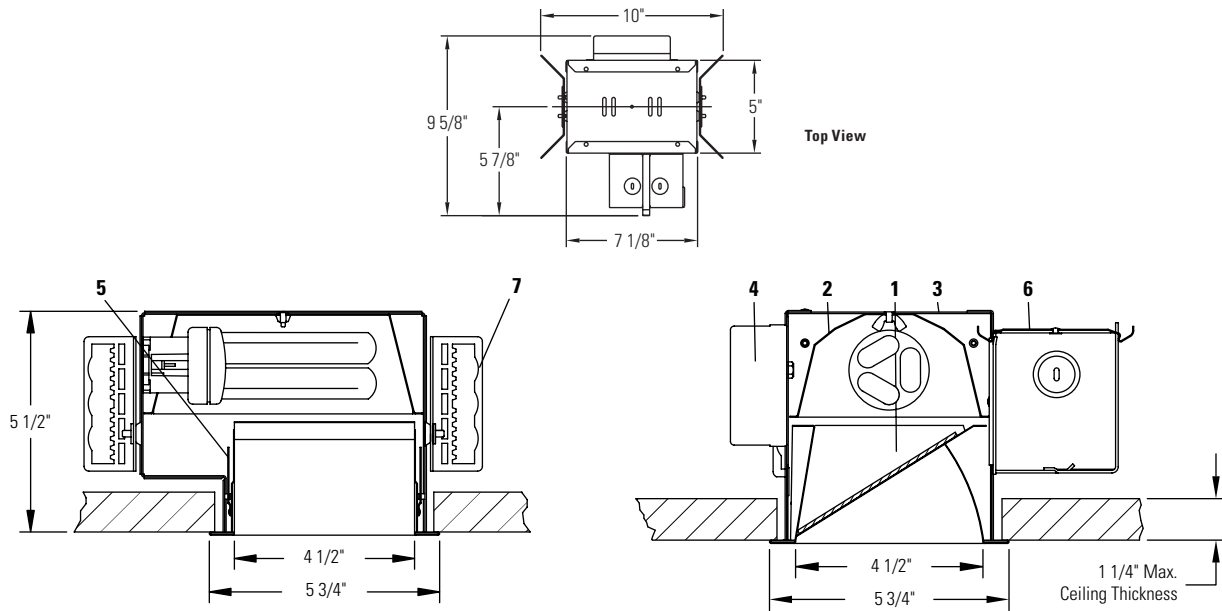


Calculite® Matrix® Lensed Wall Washer 4X4LW



Ceiling Cutout: 5 1/8" L X 5 1/8" W

Trim Kits		Frame-In Kits							
Reflector Trims	Finish / Flange	Frame-In Kits	Type	Ballast	Input Voltage	Triple Tube Wattage	Length	Width	Height
4X4LWCLW	Specular Clear / White	4X4132HU	Non-IC	Electronic	120/277V	26/32W	10"	9 1/2"	5 3/4"
4X4LWCLP	Specular Clear / Polished	4X4132HUEM4E	Non-IC	Electronic - Emergency	120/277V	26/32W	10"	11"	5 3/4"
4X4LWCCLW	Comfort Clear / White	4X4132HCU3	Non-IC	PowerSpec® HDF Dimming	120/277V	26/32W	10"	9"	5 3/4"
4X4LWCCLP	Comfort Clear / Polished	4X4132HJUM7	Non-IC	Mark 7® Dimming	120/277V	26/32W	10"	9 1/4"	5 3/4"
4X4LWCDDW	Comfort Clear Diff. / White	4X4132HJ1MX	Non-IC	Mark 10® Dimming	120V	26/32W	10"	9 1/4"	5 3/4"
4X4LWCDDP	Comfort Clear Diff. / Polished	4X4132HJ2MX	Non-IC	Mark 10® Dimming	277V	26/32W	10"	9 1/4"	5 3/4"
4X4LWC CGP	Clear Corrugated / Self Flange								
4X4LWVHW	White / White								

Features

- Reflector Trim:** Pre-finished aluminum with low iridescence clear finish. Overlap flange accommodates different ceiling types. Precision mitered flange corners. Prismatic spread lens, 5/32" thick tempered glass.
- Upper Reflector:** High efficiency, 97%, Specular Clear.
- Housing:** 22 Ga. galvanized formed steel. Centerline notches and holes for consistent alignment of multiple fixtures. Accommodates ceilings up to 1 1/4" thick.
- Ballast Assembly:** Door-mounted for easy service, allows replacement from inside of fixture.
- Torsionite Springs:** Precision-tooled steel springs secure reflector trim to housing for quick tool-less installation. Positive tension holds flange tight against ceiling.
- J-Box:** 14 Ga. galvanized steel. Accessible from inside and outside of the fixture. Outside J-box door is hinged for easy access.
- Mounting Brackets:** 16 Ga. steel. Adjustable from inside fixture. Utilize 3/4" or 1 1/2" lathing channel, 1/2" EMT, or optional mounting bars.

Options & Accessories

Chicago Plenum with Fuse (slow blow): add LCF suffix to frame-in kit, consult factory for specifications.

Mounting Bars / T-Bar Anchor Clips: See specification sheet "MBA".

Electrical

UL Listed for through circuit wiring with max of (8) No. 12 AWG, 90° C supply conductors.

Note: For complete ballast data and lamp / ballast compatibility refer to "Ballast" specification sheet.

General

UL Listed for wet locations, I.B.E.W. Union Made.

Job Information

Type:

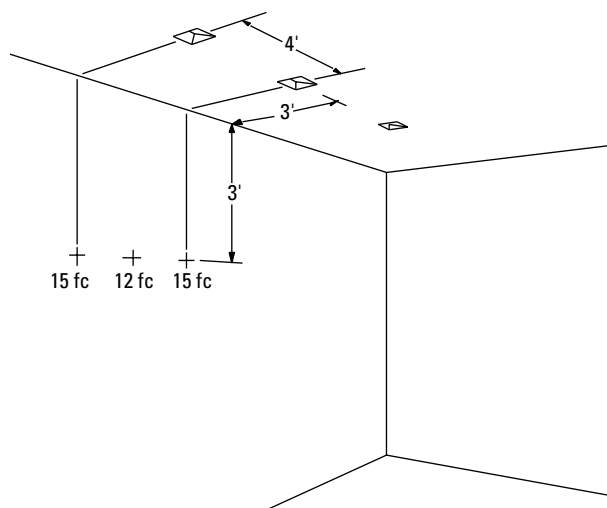
Job Name:

Cat. No.:

Lamp(s):

Notes:

Footcandles on Wall: Multiple Units

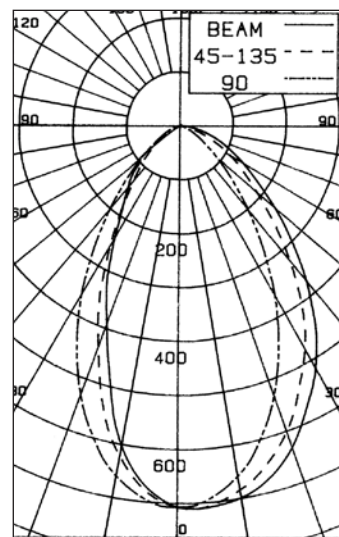


Example: 32W Units, Specular Clear Trim

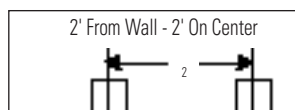
For multiple units with 32-watt lamps and specular clear reflectors located 3' from wall and spaced 4' on center, the illumination on the wall 3' down from the ceiling will be 15 fc beneath the units and 12 fc between the units.

Footcandle values are averaged and rounded off and are based on a minimum of five units.

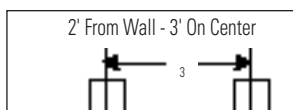
Test Report: 1712FR
Efficiency = 37.4%



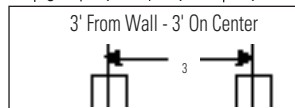
26W Triple Tube, Specular Clear Reflector Trim



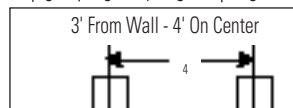
1	20	18	20
2	29	26	29
3	25	24	25
4	20	19	20
5	15	15	15
6	12	12	12
7	9	9	9
8	8	8	8
9	7	7	7



1	17	10	17
2	22	16	22
3	18	16	18
4	14	14	14
5	11	11	11
6	9	9	9
7	7	7	7
8	6	6	6
9	6	6	6

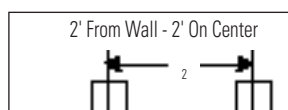


1	7	6	7
2	12	11	12
3	14	12	14
4	12	12	12
5	11	11	11
6	10	10	10
7	9	8	9
8	8	7	8
9	7	7	7

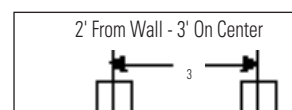


1	6	4	6
2	10	8	10
3	11	9	11
4	10	9	10
5	9	9	9
6	8	8	8
7	7	7	7
8	6	6	6
9	6	6	6

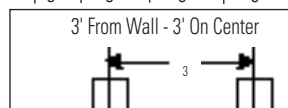
32W Triple Tube, Specular Clear Reflector Trim



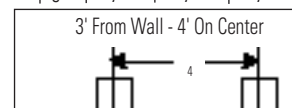
1	27	24	27
2	37	34	37
3	32	32	32
4	26	26	26
5	20	20	20
6	16	15	16
7	12	12	12
8	10	10	10
9	9	9	9



1	22	13	22
2	29	21	29
3	23	21	23
4	18	18	18
5	14	14	14
6	12	11	12
7	9	9	9
8	8	8	8
9	7	7	7



1	9	8	9
2	16	14	16
3	18	16	18
4	16	16	16
5	15	15	15
6	13	13	13
7	11	11	11
8	10	10	10
9	9	9	9



1	9	5	9
2	13	10	13
3	15	12	15
4	13	12	13
5	12	11	12
6	10	10	10
7	9	9	9
8	8	8	8
9	7	7	7

Based on specular clear (CL) finish. To estimate other finishes, multiply other candelas and CU values by 0.95 for CCL, by 0.90 for CCD.

Job Information Type: