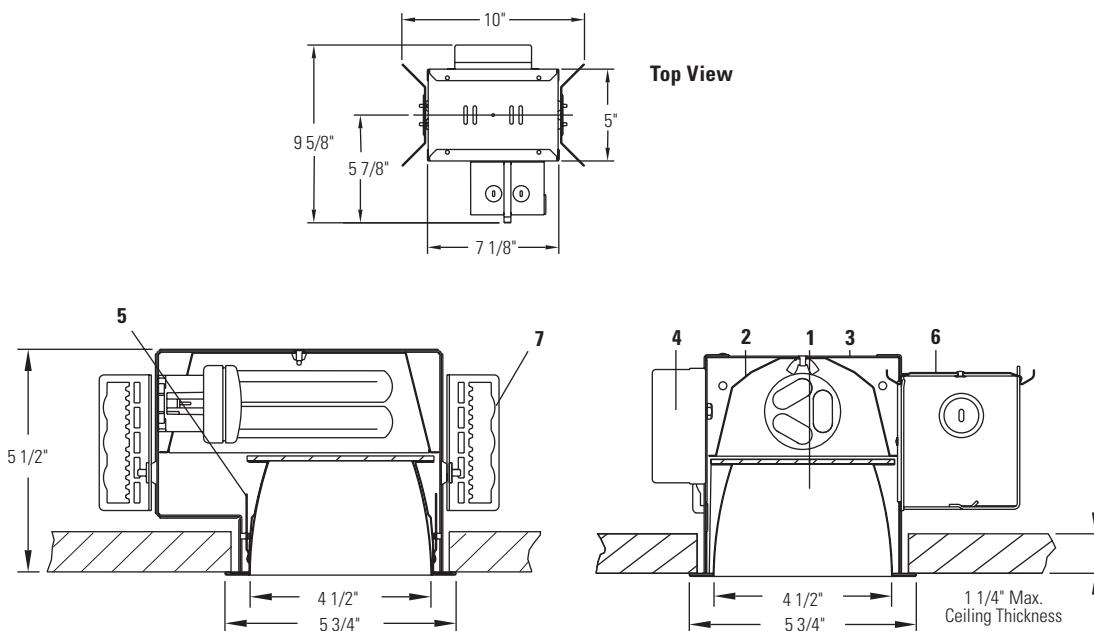


Calculite® Matrix® Lensed Downlight 4X4PL



Ceiling Cutout: 5 1/8" L X 5 1/8" W

Trim Kits		Frame-In Kits							
Reflector Trims	Finish / Flange	Frame-In Kits	Type	Ballast	Input Voltage	Triple Tube Wattage	Length	Width	Height
4X4PLCLW	Specular Clear / White	4X4132HU	Non-IC	Electronic	120/277V	26/32W	10"	9 1/2"	5 3/4"
4X4PLCLP	Specular Clear / Polished	4X4132HUEM4E	Non-IC	Electronic - Emergency	120/277V	26/32W	10"	11"	5 3/4"
4X4PLCCLW	Comfort Clear / White	4X4132HCU3	Non-IC	PowerSpec® HDF Dimming	120/277V	26/32W	10"	9"	5 3/4"
4X4PLCCLP	Comfort Clear / Polished	4X4132HJUM7	Non-IC	Mark 7® Dimming	120/277V	26/32W	10"	9 1/4"	5 3/4"
4X4PLCCDW	Comfort Clear Diff. / White	4X4132HJ1MX	Non-IC	Mark 10® Dimming	120V	26/32W	10"	9 1/4"	5 3/4"
4X4PLCCDP	Comfort Clear Diff. / Polished	4X4132HJ2MX	Non-IC	Mark 10® Dimming	277V	26/32W	10"	9 1/4"	5 3/4"
4X4PLCCGP	Clear Corrugated / Self Flange								
4X4PLWHW	White / White								

Features

- Reflector Trim:** Pre-finished aluminum with low iridescence clear finish. Overlap flange accommodates different ceiling types. Precision mitered flange corners. Prismatic spread lens, 5/32" thick tempered glass.
- Upper Reflector:** High efficiency, 97%, Specular Clear.
- Housing:** 22 Ga. galvanized formed steel. Centerline notches and holes for consistent alignment of multiple fixtures. Accommodates ceilings up to 1 1/4" thick.
- Ballast Assembly:** Door-mounted for easy service, allows replacement from inside of fixture.
- Torsionite Springs:** Precision-tooled steel springs secure reflector trim to housing for quick tool-less installation. Positive tension holds flange tight against ceiling.
- J-Box:** 14 Ga. galvanized steel. Accessible from inside and outside of the fixture. Outside J-box door is hinged for easy access.
- Mounting Brackets:** 16 Ga. steel. Adjustable from inside fixture. Utilize 3/4" or 1 1/2" lathing channel, 1/2" EMT, or optional mounting bars.

Options & Accessories

Chicago Plenum with Fuse (slow blow): add LCF suffix to frame-in kit, consult factory for specifications.

Mounting Bars / T-Bar Anchor Clips: See specification sheet "MBA".

631 Airport Road, Fall River, MA 02720 • (508) 679-8131 • Fax (508) 674-4710
 We reserve the right to change details of design, materials and finish.
 www.lightolier.com © 2009 Philips Group • A0409

Electrical

UL Listed for through circuit wiring with max of (8) No. 12 AWG, 90°C supply conductors.

Note: For complete ballast data and lamp / ballast compatibility refer to "Ballast" specification sheet.

General

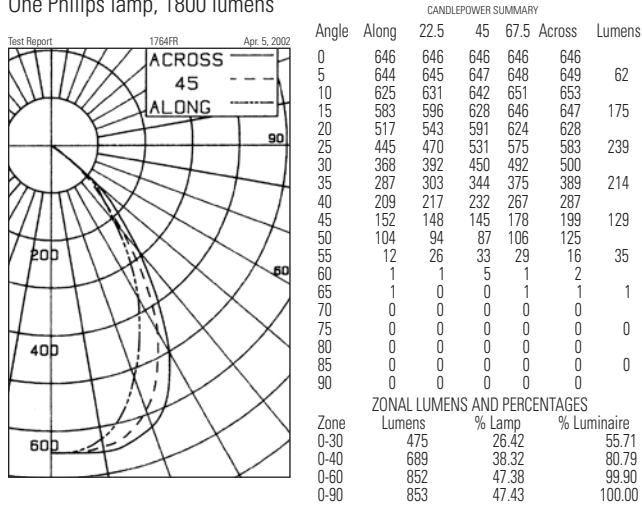
UL Listed for wet locations, I.B.E.W. Union Made.

Job Information	Type:
Job Name:	
Cat. No.:	
Lamp(s):	
Notes:	

PHILIPS
LIGHTOLIER®

26W Triple Tube, Specular Clear Reflector Trim

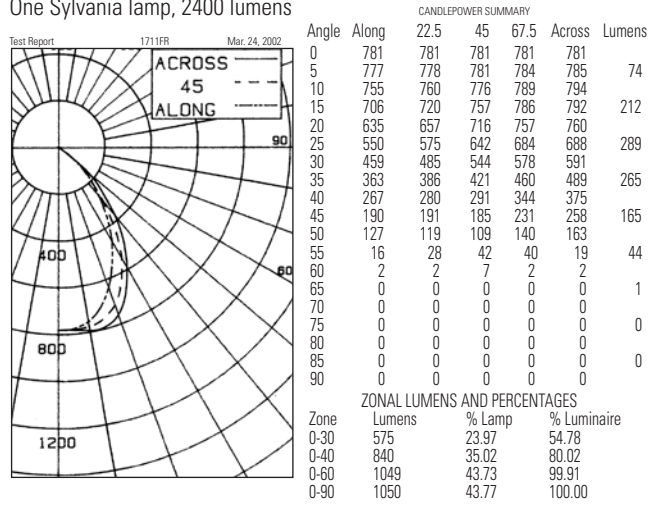
One Philips lamp, 1800 lumens



EFFICIENCY = 47.4% Spacing Criterion: **Along = 1.0 Across = 1.2**

32W Triple Tube, Specular Clear Reflector Trim

One Sylvania lamp, 2400 lumens



EFFICIENCY = 43.8% Spacing Criterion: **Along = 1.0 Across = 1.1**

CU	% Effective Ceiling Cavity Reflectance																
	80			70			50			30			10			0	
1	.53	.52	.51	.52	.51	.50	.50	.49	.48	.48	.47	.47	.46	.46	.45	.45	
2	.49	.48	.46	.48	.47	.45	.47	.46	.44	.46	.44	.43	.44	.43	.43	.42	
3	.46	.44	.42	.45	.43	.42	.44	.42	.41	.43	.42	.40	.42	.41	.40	.39	
4	.43	.41	.39	.43	.40	.38	.41	.39	.38	.41	.39	.37	.40	.38	.37	.36	
5	.40	.37	.35	.40	.37	.35	.39	.37	.35	.38	.36	.35	.37	.36	.34	.34	
6	.38	.35	.33	.37	.34	.33	.36	.34	.32	.36	.34	.32	.35	.33	.32	.31	
7	.35	.32	.30	.35	.32	.30	.34	.31	.30	.33	.31	.29	.33	.31	.29	.29	
8	.32	.30	.28	.32	.29	.27	.32	.29	.27	.31	.29	.27	.31	.29	.27	.26	
9	.30	.27	.25	.30	.27	.25	.29	.27	.25	.29	.27	.25	.29	.26	.25	.24	
10	.28	.25	.23	.28	.25	.23	.27	.25	.23	.27	.25	.23	.27	.25	.23	.22	

20% Floor Cavity Reflectance

CU	% Effective Ceiling Cavity Reflectance																
	80			70			50			30			10			0	
1	.49	.48	.47	.48	.47	.46	.46	.45	.44	.44	.44	.43	.43	.42	.42	.41	
2	.45	.44	.42	.45	.43	.42	.43	.42	.41	.42	.41	.40	.41	.40	.39	.38	
3	.42	.40	.39	.42	.40	.38	.41	.39	.38	.40	.38	.37	.39	.37	.36	.36	
4	.40	.37	.35	.39	.37	.35	.38	.36	.35	.37	.36	.34	.36	.35	.34	.33	
5	.37	.34	.32	.36	.34	.32	.36	.34	.32	.35	.33	.32	.34	.33	.31	.31	
6	.34	.32	.30	.34	.32	.30	.33	.31	.30	.33	.31	.29	.32	.31	.29	.29	
7	.32	.29	.28	.32	.29	.27	.31	.29	.27	.31	.28	.27	.30	.28	.27	.26	
8	.30	.27	.25	.29	.27	.25	.29	.27	.25	.29	.26	.25	.28	.26	.25	.24	
9	.28	.25	.23	.27	.25	.23	.27	.25	.23	.27	.24	.23	.26	.24	.23	.22	
10	.26	.23	.21	.25	.23	.21	.25	.23	.21	.25	.22	.21	.24	.22	.21	.20	

20% Floor Cavity Reflectance

Based on specular clear (CL) finish. To estimate other finishes, multiply candelas and CU values by 0.95 for CCL, by 0.90 for CCD.

Job Information Type: