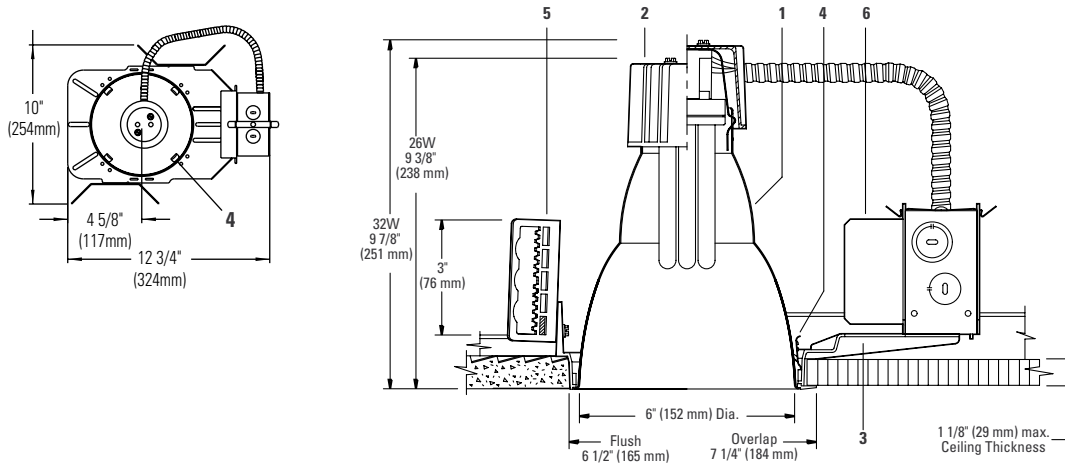


## Calculite CFL 6", Open Downlight, Triple Tube Vertical Lamp

Project:	Catalog No:	Mfg:
Location:	Fixture Type:	Qty:
Notes:		Lamps:



**Ceiling Cutout: 6 9/16" (167 mm) Dia.**

Reflector Trim		Frame-In Kit	
<b>8021 CCLW</b>	Comfort Clear™, White Flange	<b>S6132BU</b>	6" aperture, 1 lamp 26/32W Triple Tube CFL (120/277V) 4-Pin (Amalgam)
<b>8021 CCLP</b>	Comfort Clear™, Polished Flange		Standard Dimming Options: (Other dimming product available, please consult factory)
<b>8021 CCL</b>	Comfort Clear™, Molded Trim Ring	<b>S6132B</b>	<input type="checkbox"/>
<b>8021</b>	<input type="checkbox"/> Add suffix, See options below for other finishes.	<b>JUM7</b>	Mark 7 Dimming (120/277V)
		<b>J1MX</b>	Mark 10 Dimming (120V)
		<b>J2MX</b>	Mark 10 Dimming (277V)
Remodeler Frame-In Kits			
<b>6132BURM</b>			6" aperture, 1 lamp 26/32W Triple Tube CFL (120/277V) 4-Pin (Amalgam)

### Features

- Reflector:** 16 ga. aluminum, 50° visual cutoff to lamp and lamp image, medium distribution. Comfort Clear™ low iridescence finish. Self-flanged or flangeless with molded white trim ring (field paintable).
- Socket Cup:** Effectively dissipates heat and positions lamp holder. Snaps onto reflector neck to assure consistently correct optical alignment without tools.
- Mounting Frame:** Galvanized steel for dry or plaster ceilings. Accepts other 6" Triple Tube reflectors (see S6132BU Spec Sheet).
- Retaining Springs:** Precision-tooled steel friction springs secure reflector to mounting frame for quick, tool-less installation.
- Mounting Brackets:** 16 ga. steel. Adjust from inside of fixture. Use 3/4" or 1 1/2" lathing channel, 1/2" EMT, or optional mounting bars.
- Ballast/J-Box:** Electronic 120V-277V. UL listed for through branch circuit wiring with max of (8) No. 12 AWG, 90°C supply conductors. Outboard mounted to reduce heat transfer and maintain lamp efficacy and life. Service from below without tools.

### Electrical

**Note:** For ballast electrical data and latest lamp/ballast compatibility refer to "Ballast" specification sheet for complete electrical data.  
UL Listed for through branch circuit wiring with max of (8) No 12 AWG, 90 degree C supply conductors.

### Options and Accessories

Comfort Clear™ Finishes <sup>1</sup>		Other Finishes	
Diffuse	<b>CCD</b>	White	<b>WH</b>
Champagne Bronze	<b>CCZ</b>	Specular Clear	<b>CL</b>

<sup>1</sup>Specify desired flange. **W** White, **P** Polished, Blank - Molded Ring

Emergency Ltg. Kit	<b>FA EM3E</b> or <b>FA EM4</b> (See Spec. Sheet: FAEM, FAEC)
Fuse (Slow Blow)	Add suffix <b>F</b>
Existing/Thk. Ceiling	<b>FA EC6*</b>
Emergency	Add suffix <b>EM*</b>
Chicago Plenum	Use S6132BULC

Mounting Bars & Accessories; see Specification Sheet MBA.  
Sloped Ceiling Adapters; see Specification Sheet SCA.

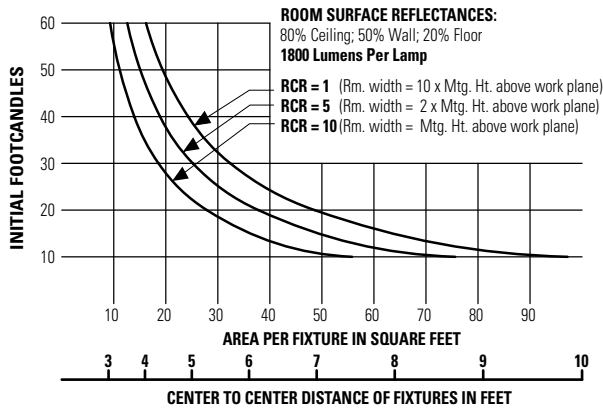
IC Frame available; see **C6CFL32** Specification Sheet.

### Labels

UL Listed for damp locations.

## Calculite CFL 6", Open Downlight, Triple Tube Vertical Lamp

### 26W Quick Calculator



This quick calculator chart determines the number and spacing of 1 Lt.- 26W TTT units with Comfort Clear™ reflector, for any level of illumination.

### Coefficients of Utilization

EFFECTIVE FLOOR CAVITY REFLECTANCE = .20

ROOM CAVITY RATIO	WALL OF REFLECTANCE															
	80			70			50			30			10			
	50	30	10	50	30	10	50	30	10	50	30	10	50	30	10	
1	.54	.53	.52	.53	.52	.51	.51	.50	.49	.49	.48	.48	.47	.47	.46	.46
2	.50	.49	.47	.50	.48	.47	.48	.47	.46	.47	.46	.45	.45	.45	.44	.43
3	.47	.45	.44	.47	.45	.43	.46	.44	.43	.44	.43	.42	.43	.42	.41	.41
4	.45	.42	.40	.44	.42	.40	.43	.41	.40	.42	.41	.39	.41	.40	.39	.38
5	.42	.39	.37	.42	.39	.37	.41	.39	.37	.40	.38	.37	.39	.38	.36	.36
6	.40	.37	.35	.39	.37	.35	.39	.36	.35	.38	.36	.34	.37	.36	.34	.34
7	.37	.34	.33	.37	.34	.32	.36	.34	.32	.36	.34	.32	.35	.33	.32	.31
8	.35	.32	.30	.34	.32	.30	.34	.32	.30	.34	.31	.30	.33	.31	.30	.29
9	.33	.30	.28	.32	.30	.28	.32	.30	.28	.32	.29	.28	.31	.29	.28	.27
10	.31	.28	.26	.30	.28	.26	.30	.28	.26	.30	.27	.26	.29	.27	.26	.25

### Spacing Ratio = 1.0

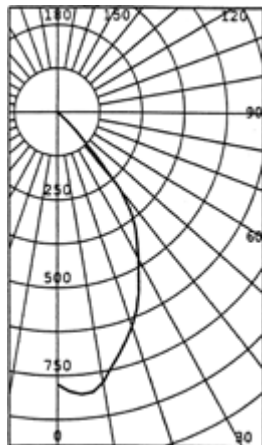
REPORT NO: LSI 14025  
LIGHTOLIER RECESSED FLUORESCENT LUMINAIRE,  
WITH COMFORT CLEAR™ REFLECTOR  
ONE 26 WATT CPFL GE LAMP,  
CAT# F26TBX/SPX35-835.  
LUMEN RATING = 1800 LMS.

**ZONAL SUMMARY**

ANGLE	CP	LUMENS
0		775
5		806
10		780
15		708
20		646
25		566
30		478
35		402
40		285
45		78
50		13
55		4
60		2
65		1
70		1
75		1
80		0
85		0

**ZONAL LUMENS AND PERCENTAGES**

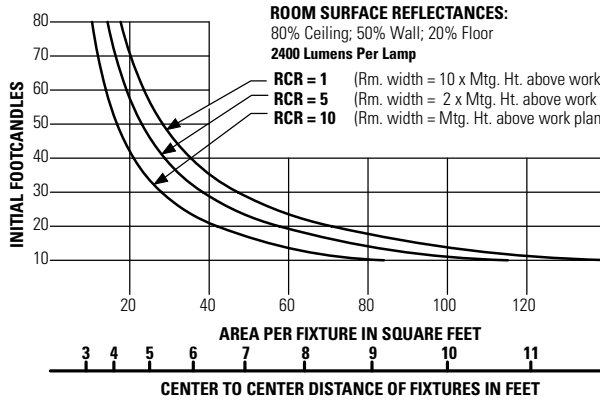
ZONE	LUMENS	%LAMP	%LUMINAIRE
0-30	533	29.66	61.66
0-40	778	43.25	89.92
0-60	863	47.98	99.75
0-90	865	48.10	100.00
40-90	87	4.85	10.08
60-90	2	.12	.25
90-180	0	.00	.00
0-180	865	48.10	100.00



\*\*EFFICIENCY=48.1%\*\*  
DATE: 4-23-99  
CIE TYPE DIRECT  
LUMINOUS DIAMETER: 6.000  
THIS REPORT BASED ON LM-1 AND  
OTHER PERTINENT IES PROCEDURES.

## Calulite CFL 6", Open Downlight, Triple Tube Vertical Lamp

### 32W Quick Calculator



This quick calculator chart determines the number and spacing of 1 ft. - 32W TTT units with Comfort Clear™ reflector, for any level of illumination

### Coefficients of Utilization

EFFECTIVE FLOOR CAVITY REFLECTANCE = .20

ROOM CAVITY RATIO	WALL OF REFLECTANCE															
	80			70			50			30			10			
	50	30	10	50	30	10	50	30	10	50	30	10	50	30	10	
1	.59	.58	.57	.58	.57	.56	.56	.55	.54	.54	.53	.53	.52	.52	.51	.50
2	.56	.54	.53	.55	.54	.52	.54	.52	.51	.52	.51	.50	.51	.50	.49	.48
3	.53	.51	.50	.53	.51	.49	.51	.50	.49	.50	.49	.48	.49	.48	.47	.46
4	.51	.48	.47	.50	.48	.46	.49	.47	.46	.48	.46	.45	.47	.46	.45	.44
5	.48	.46	.44	.48	.45	.44	.47	.45	.43	.46	.44	.43	.45	.44	.43	.42
6	.46	.43	.42	.46	.43	.41	.45	.43	.41	.44	.42	.41	.44	.42	.41	.40
7	.44	.41	.39	.43	.41	.39	.43	.41	.39	.42	.40	.39	.42	.40	.39	.38
8	.41	.39	.37	.41	.39	.37	.41	.38	.37	.40	.38	.37	.40	.38	.36	.36
9	.39	.36	.35	.39	.36	.35	.38	.36	.35	.38	.36	.34	.38	.36	.34	.34
10	.35	.32	.31	.35	.32	.31	.35	.32	.30	.34	.32	.30	.34	.32	.30	.30

### Spacing Ratio = 1.1

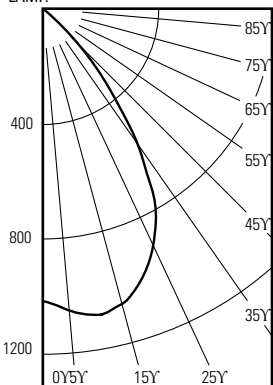
REPORT PREPARED FOR: LIGHTOLIER 04-27-1999  
REPORT NO: LRL 499-9G  
LAMPS: 1 PLT-32 LUMENS: 2400  
DESCRIP: 6" DIA X 10" HT RECESSED DOWNLIGHT  
WITH COMFORT CLEAR™ REFLECTOR. VERTICAL LAMP.

#### ZONAL SUMMARY

ZONE AVG* ZONAL DEG. C.P. LUMENS		
180	0	
175	0	0
165	0	0
155	0	0
145	0	0
135	0	0
125	0	0
115	0	0
105	0	0
95	0	0
90	0	0
85	1	1
75	1	1
65	3	3
55	9	8
45	99	77
35	563	354
25	904	418
15	1063	301
5	1066	102
0	1035	

#### ZONAL LUMENS AND PERCENTAGES

ZONE LUMENS	% LAMP	% LUMINAIRE
0-30	821	34.2
0-40	1175	49.0
0-60	1260	52.5
0-90	1265	52.7
40-90	90	3.8
60-90	5	0.2
90-120	0	0.0
90-150	0	0.0
90-180	0	0.0
0-180	1265	52.7



\*\*EFFICIENCY=52.7%\*\*  
DATE: 4-27-99  
CIE TYPE DIRECT  
LUMINOUS DIAMETER: 6.000  
THIS REPORT BASED ON LM-1 AND OTHER PERTINENT IES PROCEDURES.



© 2015 Koninklijke Philips Electronics N.V. All rights reserved.  
Specifications are subject to change without notice.  
www.philips.com/luminaires

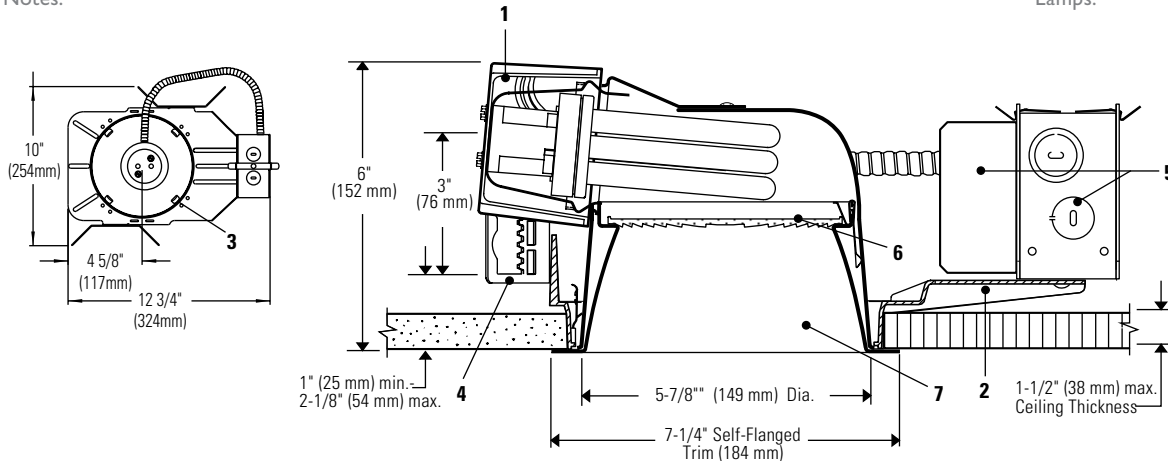
8021 10/15

Philips Lighting Company  
200 Franklin Square Drive  
Somerset, NJ 08873  
Phone: 855-486-2216

Philips Lighting Company  
281 Hillmount Road  
Markham ON, Canada L6C 2S3  
Phone: 855-486-2216

## Calculite CFL 6", Lensed Downlight, Triple Tube Horizontal Lamp

Project:	Catalog No:	Mfg:
Location:	Fixture Type:	Qty:
Notes:		Lamps:



### Features

- Socket Cup:** Formed aluminum cup, pre-wired with socket. Snaps onto upper reflector for secure attachment without tools; assures proper lamp alignment to optics for consistent performance.
- Mounting Frame:** Galvanized steel for dry or plaster ceilings. Accepts other 6" Triple Tube reflectors (see S6132BU Spec Sheet).
- Retaining Springs:** Precision-tooled steel friction springs secure reflector to mounting frame for quick, tool-less installation.
- Mounting Brackets:** Galvanized Steel. Adjustable through aperture. Use 3/4" or 1 1/2" lathing channel, 1/2" EMT or optional mounting bars. See Options and Accessories for optional mounting bars.
- Ballast/J-Box:** Electronic 120V-277V. UL listed for through branch circuit wiring with max of (8) No. 12AWG, 90°C supply conductors. Outboard-mounted to reduce heat transfer and maintain lamp efficacy and life. Service from below without tools.
- Shielding Media:** Available in fresnel lens, clear lens, or opal diffuser. Secured to aperture cone.
- Reflector:** aluminum. Clear Iridescence Free finish or Comfort Clear™ low iridescence finish. Retained by friction springs; no loose parts.

### Options and Accessories

Emergency	Add suffix <b>EM*</b>
Chicago Plenum	<b>S6132BULC</b>
Existing/Thk. Ceiling	<b>FA EC6*</b>
Emergency Lighting Kit	<b>FA EM3E*</b> or <b>FA EM4E*</b>
Fuse (Slow Blow)	Add suffix <b>F</b>
Adjustable Residential Mounting bars	<b>7994</b>
18" Mounting Bars (set of 2)	<b>1950</b>
27" Mounting Bars (set of 2)	<b>1951</b>
T-bar anchor clips (set of 4)	<b>1956</b>

for use with 18" or 27" Mounting bars

\* See Spec. Sheets: **FAEC**, **FAEM**  
IC Frame available; see **C6CFL32** specification sheet.

### Ordering guide

Frame-In Kit	Lamp	Orientation	Dimming Options (Voltage) <sup>1</sup>
<b>S6</b>	<b>132</b>	<b>B</b>	
<b>S6</b> Steel Frame for 6" Aperture	<b>132</b> 1 lamp CFL 26/32W Triple Tube	<b>B</b> Both Vertical & Horizontal	<b>U</b> Universal (120V/277V) <b>JUM7</b> Mark 7 Dimming (120/277V) <b>J1MX</b> Mark 10 Dimming (120V) <b>J2MX</b> Mark 10 Dimming (277V)
Remodeler	Orientation	Input Voltage	Type
<b>6132</b>	<b>B</b>	<b>U</b>	<b>RM</b>
<b>6132</b> 6" aperture, 1 lamp 26/32W Triple Tube CFL	<b>B</b> Both Vertical & Horizontal	<b>U</b> Universal (120V/277V)	<b>RM</b> Remodeler
Reflector	Lens	Finish	Flange
<b>8091</b>			
<b>8091</b> 6" aperture Calculite CFL lensed downlight	<b>C</b> Clear <b>D</b> Opal Diffuser <sup>2</sup> <b>F</b> Fresnel <b>P</b> Prismatic	<b>CL</b> Specular Clear <b>CCL</b> Comfort Clear <sup>2</sup> <b>CCD</b> Comfort Clear Diffuse <b>WH</b> White (painted) <sup>3</sup>	<b>W</b> White (painted) <b>P</b> Polished (matches aperture)
	<b>C</b> Clear <b>F</b> Fresnel <sup>4</sup>	<b>CCZ</b> Champagne Bronze	<b>W</b> White (painted) <b>P</b> Polished (matches aperture)

- For other dimming products available, please consult factory.
- Opal Diffuser with Comfort Clear (CCL) is only available with Polished flange.
- White finish is only available with a White flange
- Fresnel with Champagne Bronze (CCZ) finish is only available with Polished flange.

### Electrical

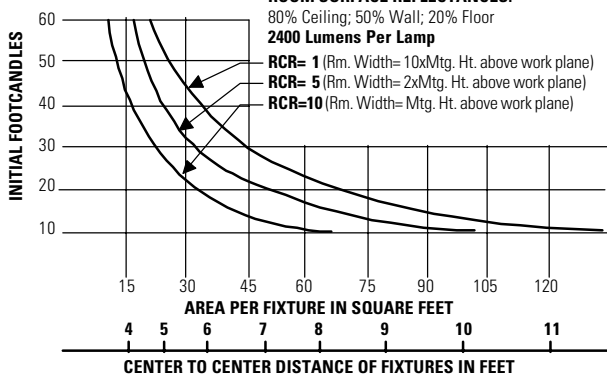
For ballast electrical data and latest lamp/ballast compatibility refer to "Ballast" spec sheet for complete electrical data. UL Listed for through branch circuit wiring with max of (8) No 12 AWG, 90°C supply conductors.

### Labels

All units are UL listed for wet locations; Opal Diffuser is UL listed for damp locations.

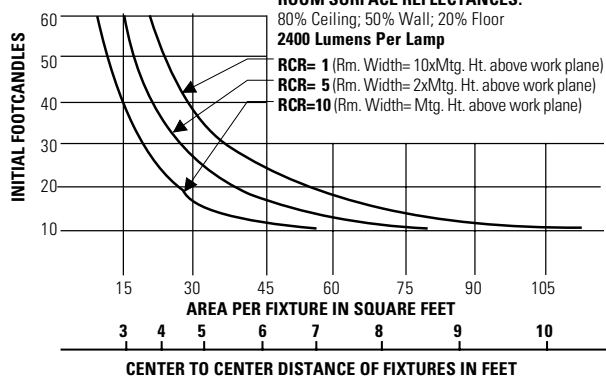
## Calculite CFL 6", Lensed Downlight, Triple Tube Horizontal Lamp

### 32W Clear Cone (CL) Quick Calculator



This quick calculator chart determines the number and spacing of 1 Lt.- 32W PL-T units with fresnel lens and clear reflector, for any level of illumination. Conversion factors: Opal diffuser, fc x 0.8; Clear lens, fc x 1.0. 1 Lt.- 26W PLT : Fresnel Lens, fc x 0.8; Opal Diffuser, fc x 0.65; Clear lens fc x 0.8.

### 32W White Cone (WH) Quick Calculator

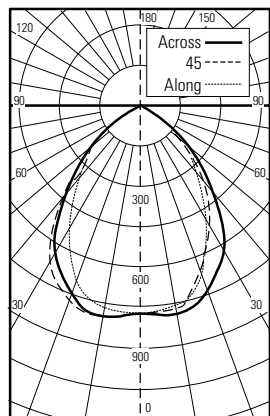


This quick calculator chart determines the number and spacing of 1 Lt.- 32W PL-T units with fresnel lens and white cone, for any level of illumination. Conversion factors: Opal diffuser, fc x 0.8; Clear lens, fc x 1.0. 1 Lt.- 26W PLT : Fresnel Lens, fc x 0.8; Opal Diffuser, fc x 0.65; Clear lens fc x 0.8.

### Spacing Ratio = 1.2

CERTIFIED TEST REPORT NO. 0075FR  
COMPUTED BY LSI PROGRAM \*\*TEST-LITE\*\*  
CALCULITE 6" DIAMETER RECESSED FLUORESCENT LENSED DOWNLIGHT  
SEMI-SPECULAR REFLECTOR WITH CLEAR CONE AND FRESNEL LENS  
LUMEN RATING = 2400 LMS.

1-32W PL-T LAMP,



ANGLE	CANDLEPOWER				
	ALONG 22.5	45	67.5	ACROSS	LUMENS
0	780	780	780	780	780
5	773	778	779	782	785
10	758	768	774	781	790
15	736	732	738	753	776
20	680	647	664	699	739
25	589	552	591	633	688
30	499	489	530	572	630
35	413	425	446	481	536
40	334	358	364	386	425
45	268	286	288	304	323
50	210	232	232	239	244
55	87	105	109	116	119
60	32	38	42	45	47
65	6	8	9	9	11
70	1	1	1	2	2
75	1	1	1	1	1
80	1	1	1	1	1
85	0	1	1	0	1
90	0	1	1	0	1

ZONAL LUMENS AND PERCENTAGES			
ZONE	LUMENS	% LAMP	% LUMINAIRE
0-30	585	24.40	47.62
0-40	886	36.92	72.06
0-60	1216	50.67	98.90
0-90	1229	51.24	100.00
40-90	343	14.32	27.94
60-90	13	.57	1.10
90-180	0	.00	.00
0-180	1229	51.24	100.00

\*\* EFFICIENCY = 51.2% \*\*

### Coefficients Of Utilization

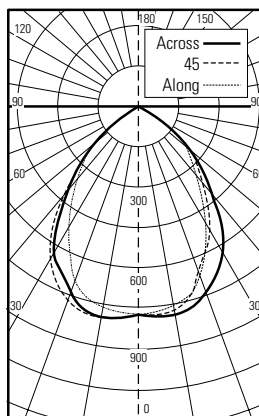
ROOM CAVITY RATIO	% EFFECTIVE CEILING CAVITY REFLECTANCE																							
	80				70				50				30				10				0			
	50	30	10	0	50	30	10	0	50	30	10	0	50	30	10	0	50	30	10	0				
1	.56	.55	.54	.56	.54	.53	.53	.52	.51	.51	.51	.50	.49	.48	.48	.48	.48	.48	.48	.48				
2	.52	.50	.48	.51	.49	.48	.50	.48	.47	.48	.47	.46	.47	.46	.45	.44	.44	.44	.44	.44				
3	.48	.46	.44	.48	.45	.43	.46	.44	.43	.45	.43	.42	.44	.43	.41	.40	.40	.40	.40	.40				
4	.45	.42	.40	.44	.42	.39	.43	.41	.39	.42	.40	.38	.41	.39	.38	.37	.37	.37	.37	.37				
5	.42	.38	.36	.41	.38	.36	.40	.37	.35	.39	.37	.35	.38	.36	.35	.34	.34	.34	.34	.34				
6	.38	.35	.33	.38	.35	.32	.37	.34	.32	.36	.34	.32	.36	.33	.32	.31	.31	.31	.31	.31				
7	.35	.32	.30	.35	.32	.29	.34	.31	.29	.33	.31	.29	.33	.31	.29	.28	.28	.28	.28	.28				
8	.32	.29	.27	.32	.29	.27	.31	.28	.26	.30	.28	.26	.30	.28	.26	.25	.25	.25	.25	.25				
9	.30	.27	.24	.30	.26	.24	.29	.26	.24	.29	.26	.24	.28	.26	.24	.23	.23	.23	.23	.23				
10	.28	.24	.22	.27	.24	.22	.27	.24	.22	.26	.24	.22	.26	.23	.22	.21	.21	.21	.21	.21				

20% FLOOR CAVITY REFLECTANCE  
Conversion Factors: 1 Lt-32W PLT: Opal Diffuser, CU x 0.8; Clear Lens, CU x 1.0.  
1 Lt-26W PLT: Fresnel Lens, CU x 1.1; Opal Diffuser, CU x 0.9; Clear Lens, CU x 1.1.

### Spacing Ratio = 1.1

CERTIFIED TEST REPORT NO. 0072FR  
COMPUTED BY LSI PROGRAM \*\*TEST-LITE\*\*  
CALCULITE 6" DIAMETER RECESSED FLUORESCENT LENSED DOWNLIGHT  
SEMI-SPECULAR REFLECTOR WITH WHITE CONE AND FRESNEL LENS  
LUMEN RATING = 2400 LMS.

1-32W PL-T LAMP,



ANGLE	CANDLEPOWER				
	ALONG 22.5	45	67.5	ACROSS	LUMENS
0	656	656	656	656	656
5	649	654	657	660	662
10	626	639	650	660	669
15	588	605	622	639	654
20	525	546	567	592	617
25	452	479	501	526	563
30	378	419	432	450	490
35	312	363	361	370	405
40	256	303	290	297	322
45	200	233	225	231	244
50	144	156	165	171	180
55	99	115	115	117	120
60	66	74	76	77	79
65	46	48	49	50	52
70	35	36	37	38	39
75	26	27	27	27	28
80	16	17	17	19	19
85	7	9	9	9	9
90	1	1	1	1	1

ZONAL LUMENS AND PERCENTAGES			
ZONE	LUMENS	% LAMP	% LUMINAIRE
0-30	468	19.51	44.30
0-40	697	29.07	66.29
0-60	956	40.28	91.86
0-90	1052	43.86	100.00
40-90	354	14.76	33.71
60-90	85	3.57	8.14
90-180	0	.00	.00
0-180	1052	43.86	100.00

### Coefficients Of Utilization

ROOM CAVITY RATIO	% EFFECTIVE CEILING CAVITY REFLECTANCE																							
	80				70				50				30				10				0			
	50	30	10	0	50	30	10	0	50	30	10	0	50	30	10	0	50	30	10	0				
1	.48	.46	.45	.47	.46	.44	.45	.44	.43	.43	.43	.42	.42	.41	.41	.40	.40	.40	.40	.40				
2	.44	.42	.40	.42	.41	.39	.41	.40	.38	.40	.39	.38	.39	.38	.37	.36	.36	.36	.36	.36				
3	.40	.37	.35	.39	.37	.35	.38	.38	.34	.37	.35	.34	.36	.33	.33	.33	.33	.33	.33	.33				
4	.37	.34	.32	.36	.34	.32	.35	.33	.31	.34	.32	.31	.34	.32	.30	.30	.30	.30	.30	.30				
5	.34	.31	.29	.33	.31	.28	.33	.30	.28	.32	.30	.28	.31	.29	.28	.27	.27	.27	.27	.27				
6	.31	.28	.26	.31	.28	.26	.30	.28	.26	.29	.27	.25	.29	.27	.25	.25	.25	.25	.25	.25				
7	.29	.26	.23	.28	.25	.23	.25	.25	.23	.27	.25	.23	.27	.25	.23	.22	.22	.22	.22	.22				
8	.26	.23	.21	.26	.23	.21	.26	.23	.21	.25	.23	.21	.25	.23	.21	.20	.20	.20	.20	.20				
9	.24	.21	.19	.24	.21	.19	.24	.21	.19	.23	.21	.19	.23	.21	.19	.18	.18	.18	.18	.18				
10	.23	.20	.18	.22	.20	.18	.22	.20	.18	.22	.20	.18	.22	.20	.18	.17	.17	.17	.17	.17				

20% FLOOR CAVITY REFLECTANCE  
Conversion Factors: 1 Lt-32W PLT: Opal Diffuser, CU x 0.8; Clear Lens, CU x 1.0.  
1 Lt-26W PLT: Fresnel Lens, CU x 1.1; Opal Diffuser, CU x 0.9; Clear Lens, CU x 1.1.



©2015 Koninklijke Philips N.V. All rights reserved.  
Philips reserves the right to make changes in specifications and/or to discontinue any product at any time without notice or obligation and will not be liable for any consequences resulting from the use of this publication.

Philips Lighting,  
North America Corporation  
200 Franklin Square Drive,  
Somerset, NJ 08873  
Tel. 855-486-2216

Imported by: Philips Lighting,  
A division of Philips Electronics Ltd.  
281 Hillmount Rd, Markham, ON,  
Canada L6C 2S3  
Tel. 800-668-9008