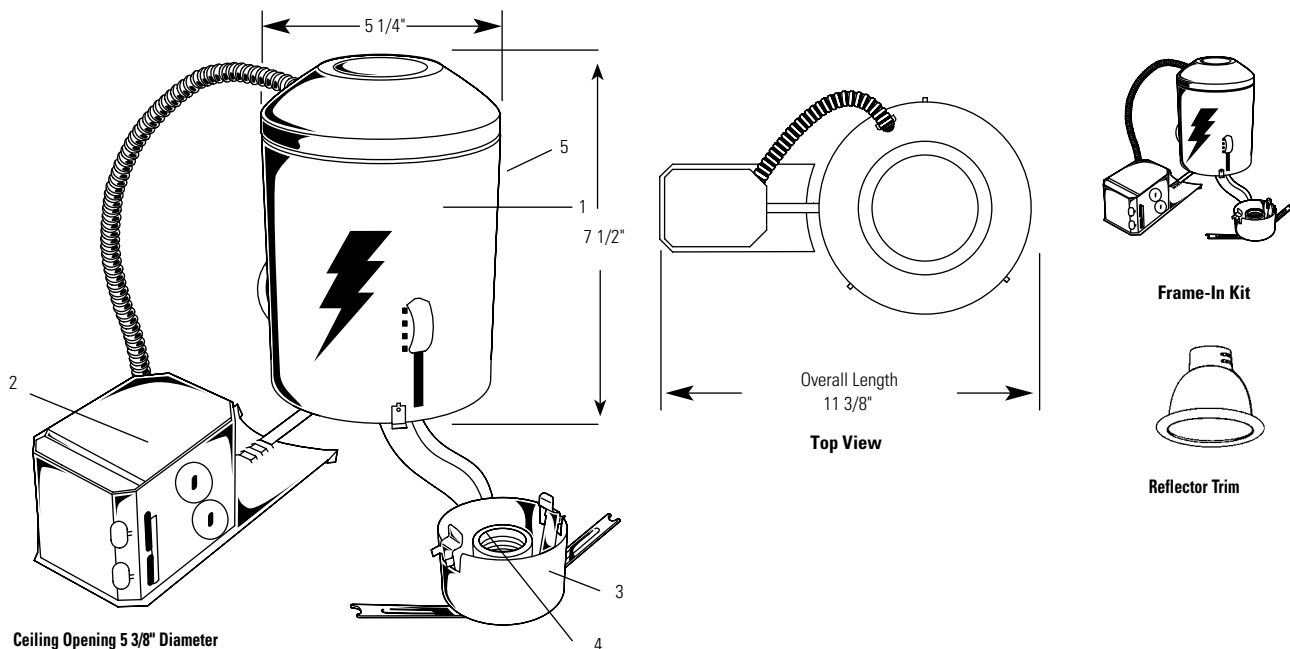


Lytecaster® Recessed Downlighting **1004ICR**

Page 1 of 1

5" Aperture **Lyte~~ning~~** Incandescent Convertible IC/Non-IC Remodeler Frame-In Kit



Ceiling Opening 5 3/8" Diameter

5" Aperture: Complete Fixture consists of Reflector Trim & Frame-In Kit. Select each separately.

Frame-In Kit	Reflector Trims — See Individual Reflector Trim Specification Sheets									
	Open Downlight					Adjustable		Enclosed Diffuser	Open Wet Location	Wall Washer
Reflector	Cone	Satin Cone	Baffles	Basic White	Eyeball					
1004ICR	1045	1012	1008	1005	1071	1022	1021*	1081CD	1085*	
	1046	1012NM	1008NM	1005NM		1022WH	1024*	1081WH		
	1046CD	1013	1010	1005BNM		1082	1177LX			
		1013BK	1010NM	1005WH		1088	1178LX			
		1013WH		1076		1088GW	1090*			
		1013NM		1076WH		1088WH				
		1013CD								
		1013BKNM								
		1013CDNM								

* For Non-IC applications only.

Features

- Housing:** .032 (#20 ga.) Aluminum. U.L. listed convertible IC/NON-IC. Integral retaining spring secures housing to ceilings up to 2" thick. Removable for access to junction box and ceiling plenum.
- Junction Box:** 2 1/2" X 2 1/2" X 3 1/2" (21 cu. in.) .032 (#22 ga.) galvanized steel. U.L. listed for 90°C supply wire. Integral cable clamps permit attachment of non-metallic (#12 or #14 ga.) Romex® cable without tools or additional connectors.
- Socket Housing:** Impact extruded aluminum or galvanized steel. Attached trim retaining spring secures trim to any height on housing wall.
- Socket:** Porcelain medium base; nickel plated screw shell. Pre-wired with #18 ga. SF1 (300 VOLT 200°C) leads to junction box.
- Thermal Protector:** Meets NEC and U.L. requirements. Located inside housing.

Options & Accessories

AirSeal® Kit: LAS56R

Labels

UL (Type IC/NON-IC Convertible; Suitable for Damp Locations).

Romex® is a registered trademark of General Cable Industries Inc.

Job Information	Type:
Job Name:	
Cat. No.:	
Lamp(s):	
Notes:	

Lightolier a Genlyte company www.lightolier.com
 631 Airport Road, Fall River, MA 02720 • (508) 679-8131 • Fax (508) 674-4710
 We reserve the right to change details of design, materials and finish.
 © 2006 Genlyte Group LLC • G1006

LIGHTOLIER®