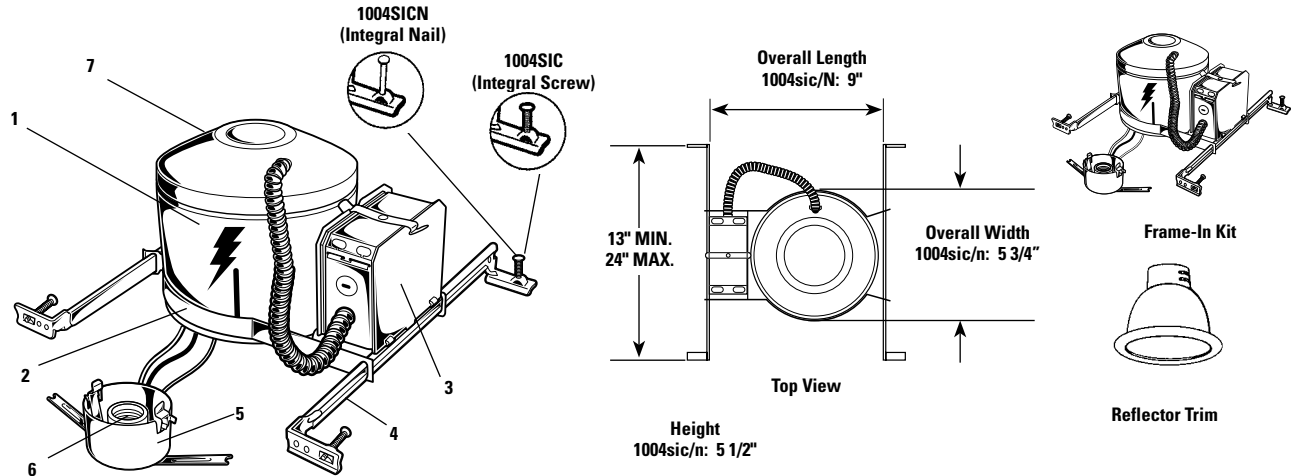


Lytecaster® Recessed Downlighting **1004SIC**

Page 1 of 1

5" Aperture **Lyte[™]ning**® Shallow Incandescent Convertible IC/Non-IC Frame-in Kit



Ceiling Opening: 5 3/8" Diameter

5" Aperture: Complete Fixture consists of Reflector Trim & Frame-In Kit. Select each separately.

Frame-In Kit	Reflector Trims — See Individual Reflector Trim Specification Sheets					
	Open Downlight					
	Cone	Satin Cone	Baffles	Basic White	Wall Washer	Enclosed Diffuser
1004SIC	1012	1008	1005	1071	1085*	1024*
1004SICN	1012NM	1008NM	1005WH			
	1013	1010	1005NM			
	1013WH	1010NM	1005BNM			
	1013CD		1076			
	1013NM		1076WH			
	1013BKNM					
	1013CDNM					
	1013BK					

*for Non-IC applications only

Feature

- Housing:** .032" (#20 ga.) Aluminum. UL listed convertible IC/NON-IC. 2" vertical adjustment in ceiling. Can be removed for access to junction box and ceiling plenum. 5 1/2" tall for use in 2" X 6" joist construction and shallow plenum applications. AirSeal® housing minimizes air leakage to less than 2 CFM at 1.57 PSF (or 75pa), which complies with Model Energy Code (Section 602.3.3) and Washington State Energy Code (Section 502.4) and reduces heat loss and condensation in ceiling.
- Mounting Frame:** .048" (#18 ga.) galvanized steel. Locks into position along length of mounting bars with locking spring and bendable slot. (3) slots 90° apart simplify alignment.
- Junction Box:** 2" X 4" X 3 1/2" (22 cu. in.) .032" (#22 ga.) galvanized steel. UL listed for maximum of 8 (#12 ga.) 1104SIC/N and 6 (#12 ga.) 1004SIC/N 90°C through branch circuit conductors. Integral cable clamps permit attachment of non-metallic (#12 or #14 ga.) Romex® cable without tools or additional connectors.
- Mounting Bars:** .059" (#16 ga.) galvanized steel. Bars pivot for easy attachment and wire-in below ceiling line. Bars extend to accommodate 16" to 24" O.C. joist spacing. Bars can accommodate 9" O.C. joist spacing after a slight field modification (See Instruction Sheet). 1004SIC features integral self-tapping phillips screws for secure attachment to wood or metal construction. The 1004SICN features integral nails for secure attachment to wood. Both attach to T-bar ceilings without the need of accessories.
- Socket Housing:** Impact extruded aluminum or galvanized steel. Attached trim retaining spring secures trim to any height on housing wall.
- Socket:** Porcelain medium base; nickel plated screw shell. Pre-wired with #18 ga. SF1 (300 Volt 200° C) leads to junction box.
- Thermal Protector:** Meets NEC and UL requirements. Located inside housing.

Options & Accessories

AirSeal® Kit: LAS56

NOTE: Use only if factory installed tape or knockouts are removed from vertical adjustment slots in housing wall.

Labels

UL (Type IC/NON-IC Convertible, Suitable for Damp Locations)

Complies with Air Leakage Requirements stated in the Model Energy Code and the Washington State Energy Code.

AirSeal® is a registered trademark of Lightolier.

Romex® is a registered trademark of General Cable Industries Inc.

Job Information

Type:

Job Name:

Cat. No.:

Lamp(s):

Notes:

Lightolier a Genlyte company

www.lightolier.com

631 Airport Road, Fall River, MA 02720 • (508) 679-8131 • Fax (508) 674-4710

We reserve the right to change details of design, materials and finish.

© 2006 Genlyte Group LLC • 10806

LIGHTOLIER®