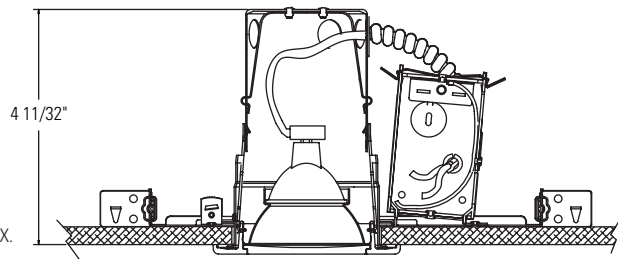
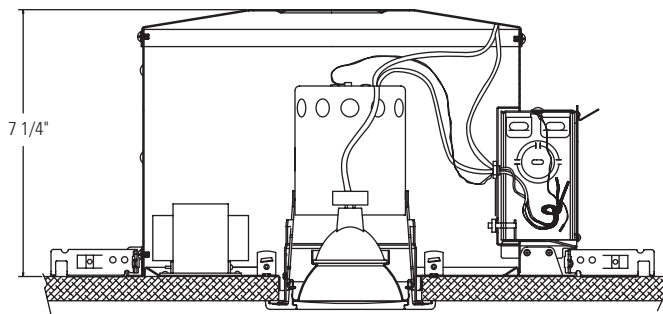


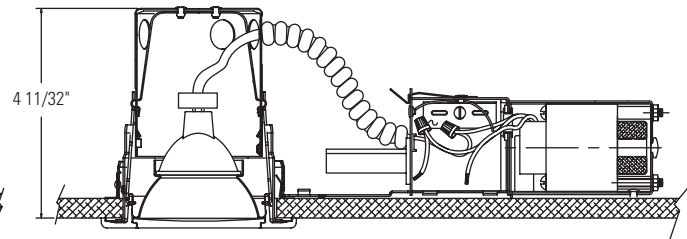
2090LV/2000LV Series
Standard MR16



2090LV/2000LVNT
Low Voltage Remote Transformer



2090LV/2004ICV/N
Lyte™ AirSeal® Insulated Ceiling



2090LV/2000LVR
Remodeler

Complete Fixture consists of Reflector Trim & Frame-In Kit. Select each separately.

| Reflector Trim | Frame-In Kit — See Individual Frame-In Kit Specification Sheets | | | |
|----------------|---|------------------------------------|--------------|----------|
| | Low Voltage | | | |
| | Frame-In Kit | Installation Type | Lamping | Height |
| 2090LV | 2000LV | Standard Non-IC | 20W-50W MR16 | 4 11/32" |
| | 2000LVR | Remodeler Non-IC | | 4 11/32" |
| | 2000LVE1 | Electronic Low Voltage Non-IC 120V | | 4 11/32" |
| | 2000LVE2 | Electronic Low Voltage Non-IC 277V | | 4 11/32" |
| | 2004ICV/N | Lyte™ AirSeal® IC | 20W-37W MR16 | 7 1/4" |
| | 2000LVNT | Non-IC (no transformer) | 20W-50W MR16 | 4 11/32" |
| | 2000AICV | AirSeal® IC | 20W-37W MR16 | 7 5/16" |

Features

- Housing:** Hydroformed aluminum, .040 thk. min. non-yellowing gloss white powder coat housing finish for permanent reflectivity and surface protection.
- Trim Flange:** Frosted clear polycarbonate flange ring. Pull down and release for toolless relamping.
- Frame-In Kit:** (2000LV standard frame shown) Other frames noted. See Frame-In Kit specification sheets for more details.
- Glass:** Pressed borosilicate glass textured diffuser. Smooth surface on exposed side for wipe down cleaning. Meets NEC® requirements for spas and hot tubs. May be installed less than 7' 6" above max water surface height.

Labels

UL (Suitable for Wet Locations - Covered Ceilings only), I.B.E.W.

| Job Information | Type: |
|------------------|-------|
| Job Name: | |
| Cat. No.: | |
| Lamp(s): | |
| Notes: | |

631 Airport Road, Fall River, MA 02720 • (508) 679-8131 • Fax (508) 674-4710
 We reserve the right to change details of design, materials and finish.
 www.lightolier.com © 2008 Philips Group • G0808