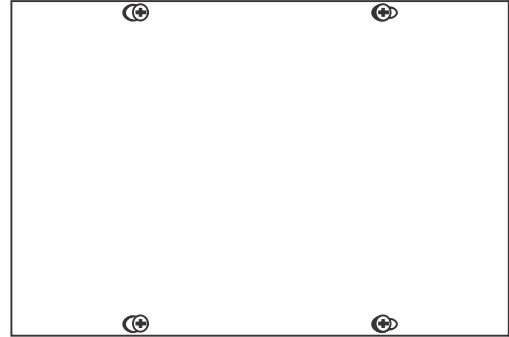


Installation Instructions for 2 X 100 Watt 24 Volt DC Power Supply with ELV Dimming



GENERAL INFORMATION

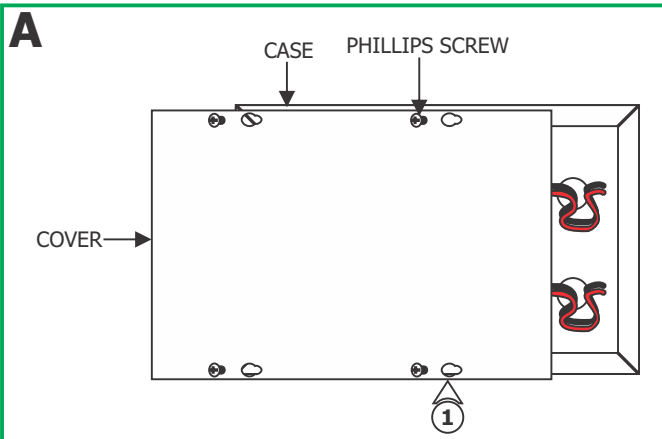
- **RISK OF FIRE:** This product must be installed by a qualified electrician. Turn the power to the electrical box off during installation. Read the "Important Safety Instructions " before installation.
- This product is not suitable for wet locations. It is approved for the use at any height above the finished floor.
- A typical installation is shown. Specific installation must be in accordance with the local electrical codes.
- **TO REDUCE RISK OF FIRE,** it is important to wire the power supply for the system as described in this installation instruction.

SAVE THESE INSTRUCTIONS!

IMPORTANT SAFETY INSTRUCTIONS

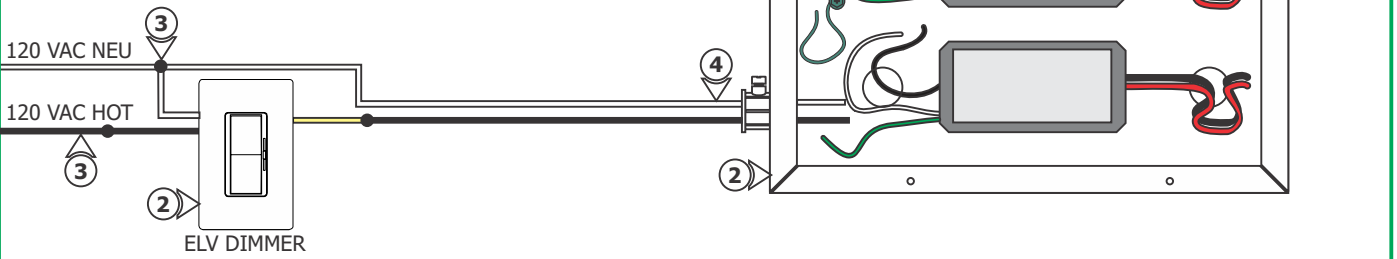
- Do not install this power supply in a wet location.
- To reduce the risk of the system overheating and possibly causing a fire, make sure all the connections are tight.
- Do not install *LED fixture closer than three inches or as specified in the *LED fixture installation instructions to curtains or similarly combustible materials. Keep insulation at least 3" away from the enclosure.
- Turn the electrical power off before modifying the lighting system in any way.
- * See LED fixture installation instructions for proper placement.

Install the Power Supply



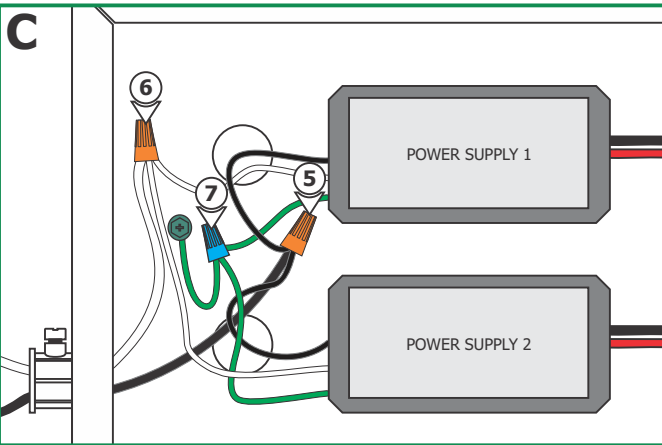
- 1:** Loosen the four Phillips screws on the front of the power supply cover to slide the cover off of the case.

B



- 2:** Install power supply enclosure and ELV dimmer as required. Ensure that power supply enclosure is grounded in accordance with local electrical code.
- 3:** Connect 120VAC hot and neutral wires from panel to the ELV dimmer using wire nuts.
- 4:** Remove knockouts from power supply enclosures as required. Route 120VAC hot and neutral wires from the ELV dimmer to power supply enclosure.

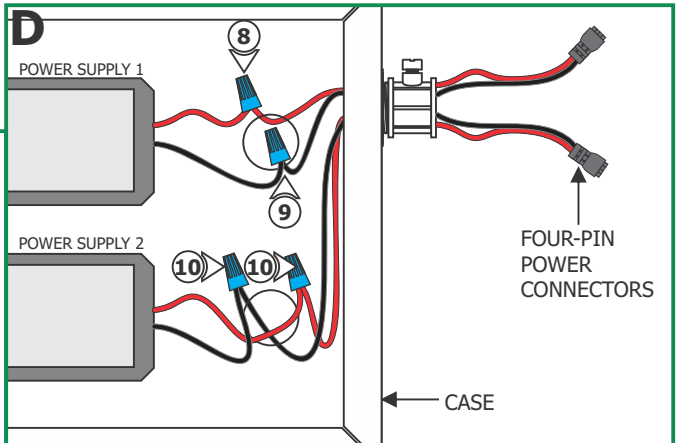
C

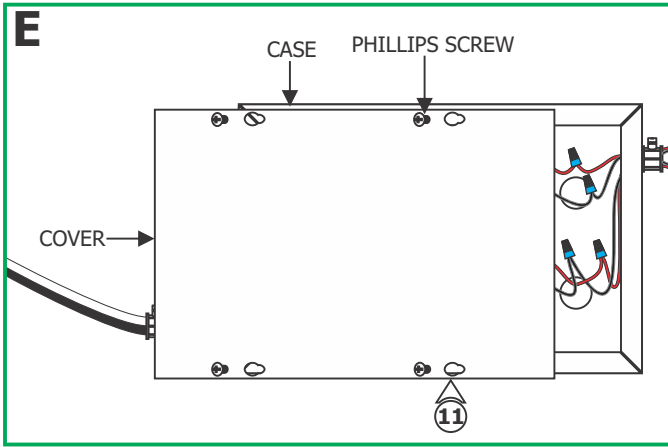


- 5:** Connect the 120VAC hot wire from the dimmer to both black transformer wires using a wire nut.
- 6:** Connect the 120VAC neutral wire from the dimmer to both white transformer wires using a wire nut.
- 7:** Connect the ground wires from the each power supply to the case ground wire using a wire nut.

NOTE: Use only 24 volt LED soft strip with this power supply.

- 8:** Connect the red (24V DC+) wire from Power Supply 1 to the red wire of a four-pin power connector with a wire nut.
- 9:** Connect the black (24V DC-) wire from Power Supply 1 to the black wire of a four-pin power connector with a wire nut.
- 10:** Repeat steps 8 and 9 to connect a four-pin power connector to Power Supply 2.





11: Replace the power supply cover and secure it by tightening the four Phillips screws.

Overall Wiring Diagram

