

Protected by Patent Number 7,476,008.



3.3 aperture
Truly Trimless

All Housings
IC and Air
Tight Rated

Description: Specification grade, recessed, adjustable accent fixture for plaster or drywall construction. The flush mounted rigid plaster plate, which is finished into the ceiling, maintains a flat finish and defines the Truly Trimless Pure edge (knife edge) 3.3" (84mm) aperture. Combined with the Aurora dome and the tilt gear hidden behind the lamp creates a clean internal look.

Lamp: MR16 12V 37W IR maximum (per socket) or MR16 LED 12V 7W.

Adjustability: Hot-aiming with #2 Philips screwdriver offers 20 to 45 degree vertical adjustment and 362 degree horizontal rotation without beam clipping.

Housing: Includes standard 120V magnetic transformer, IC and air-tight, suitable for remodel or new construction (120V, 230V and 277V versions available, standard with electronic transformer).

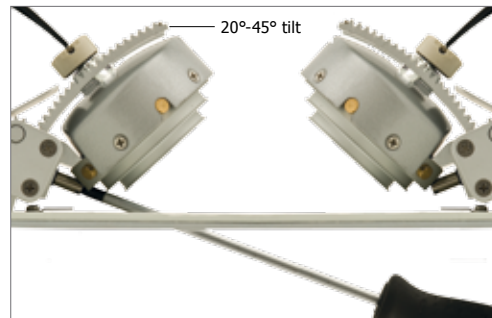
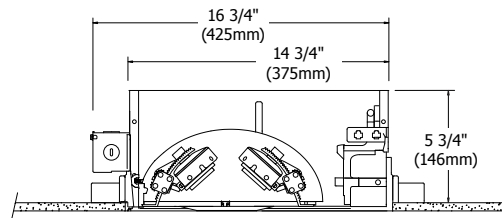
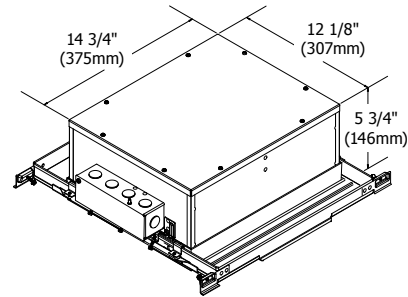
Dome: Anodized soft haze finish. Hides electrical hardware and tilts for easy access to junction box and transformer.

Plaster Plate: Self-leveling U-shape telescoping hanger bars extend to allow mounting between studs 13 1/4" - 24" (336-609mm). Designed to accommodate ceiling thickness from 1/2" (13mm) to 1 1/4" (32mm). Mounting: Self-leveling U-shape telescoping hanger bars extend to allow mounting between studs 13 1/4" - 24" (336-609mm). Designed to accommodate ceiling thickness from 1/2" (13mm) to 1 1/4" (32mm).

Trims: Truly Trimless.

Snoot: Each snoot carries the lamp, a soft focus lens (included) and two optional accessories (see accessories spec sheet).

Electrical: 120V input (standard) 11.8V output, ETL listed for damp location.



AURORA ORDERING CODE FOR COMPLETE FIXTURE:

120V Standard Magnetic Transformer

Collection IC Housing Function Plaster Plate

AH2D - ADSE3

Aurora Halogen #2D Dual MR16 Housing
Accent Dual-Lamp Square Edge 3.3" Aperture

Electronic Transformers

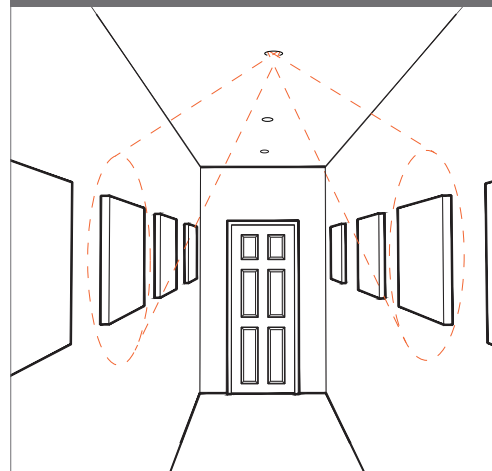
Collection IC Housing - Voltage Function Plaster Plate

AH2D-1 - ADSE3

Aurora Halogen #2D Dual MR16 Housing
1 - 120V 50/60Hz
2 - 230V 50/60Hz
3 - 277V 50/60Hz
Accent Dual-Lamp Square Edge 3.3" Aperture

DUAL ADJUSTABLE ACCENT

Ideal for the finest hallways, the Aurora Dual Adjustable Accent features two opposing lamps. Fixed 180 degrees apart, these lamps simultaneously illuminate facing walls. Lamps rotate, in unison, a total of 362 degrees and offer independent vertical adjustment from 20 - 45 degrees.

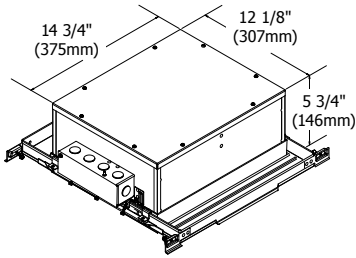


COMPANY		FIXTURE TYPE		DATE	
PROJECT		APPROVED BY			

Product specification subject to change without notification. REV. 03.22.16

A Division of PureEdge Lighting 1718 W. Fullerton Chicago, IL 60614 • Ph: 773.770.1196 • Ph: 773.883.6128 • Fax: 773.883.6128 • www.purelighting.com





AH2D-ADSE3
(Complete Fixture)

INDIVIDUAL COMPONENTS

120V Standard Magnetic IC Housing Part # **AH2D - 120V 60Hz**

Electronic USA & International IC Housing Part # **AH2D-1 - 120V 50/60Hz**
AH2D-2 - 230V 50/60Hz
AH2D-3 - 277V 50/60Hz

AH2D Housings Accept Trimless Plaster Plates.

Plaster Plate Part # **ADSE3**

Dual-Lamp Accent Square Edge 3.3"

Trim Part #

No Trim Truly Trimless

2" Lens Accessories

PART #	COLORS
--------	--------



Dichroic Lenses

- L16-RD** RED
- L16-AM** AMBER
- L16-YL** YELLOW
- L16-GR** GREEN
- L16-BL** BLUE
- L16-PH** PEACH
- L16-MG** MAGENTA
- L16-CY** CYAN
- L16-DB** DARK BLUE
- L16-DP** DARK PINK



Optical Lenses

- L16-F** FROST
- L16-SF** SOFT FOCUS
- L16-MD** MEDIUM DIFFUSER
- L16-WD** WIDE DIFFUSER
- L16-WDF** WIDE DIFFUSER FROSTED
- L16-LS** LINEAR SPREAD
- L16-LSF** LINEAR SPREAD FROSTED



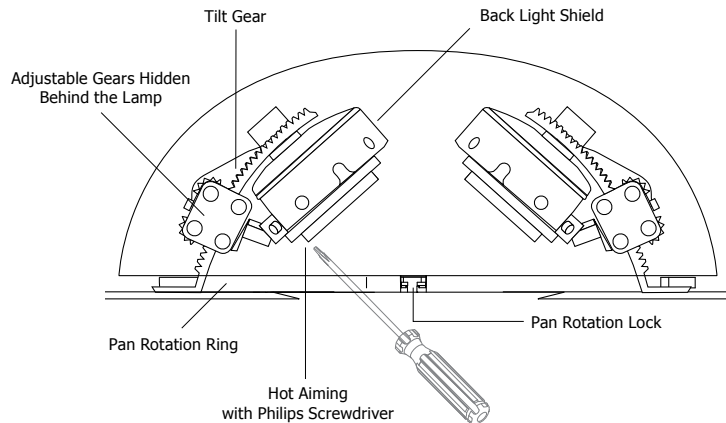
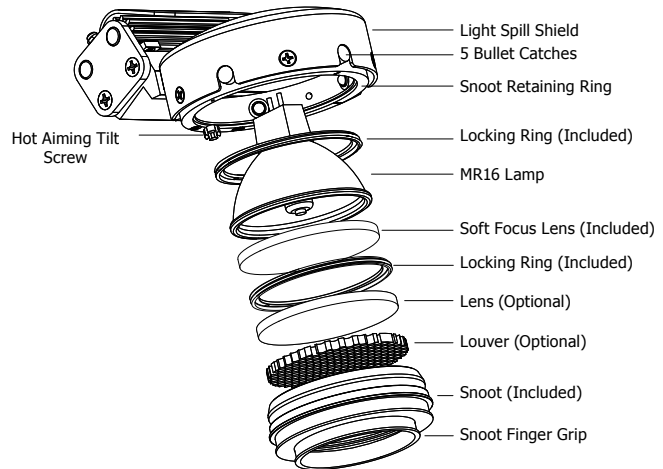
Hexcell Louver

- L016-H** HEXCELL LOUVER



U.V. Filter

- L16-UV** U.V. FILTER



A Division of PureEdge Lighting 1718 W. Fullerton Chicago, IL 60614 • Ph: 773.770.1196 • Fax: 773.883.6128 • www.purelighting.com



COMPANY		FIXTURE TYPE		DATE	
PROJECT		APPROVED BY			