



© 2015 Pure Lighting. All Rights Reserved.

Installation Instructions For Verge 24VDC

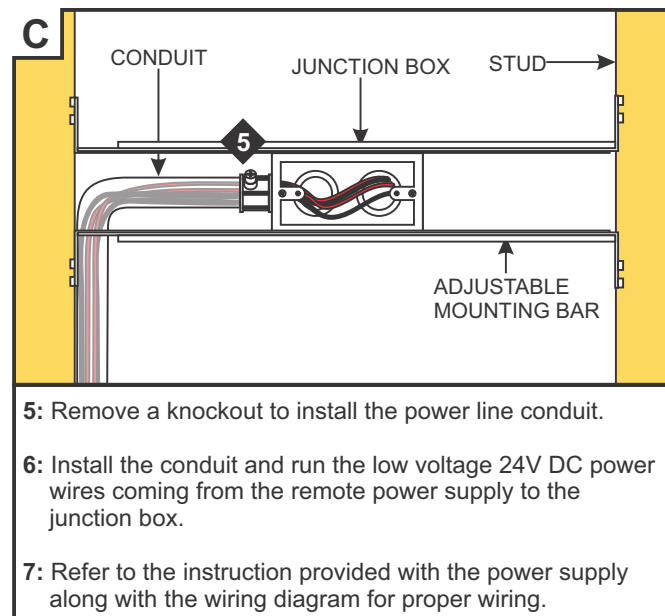
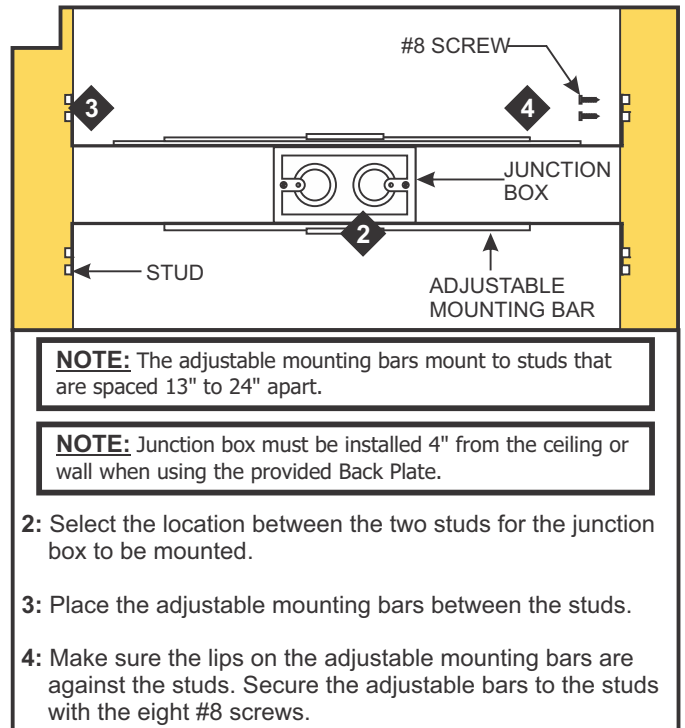
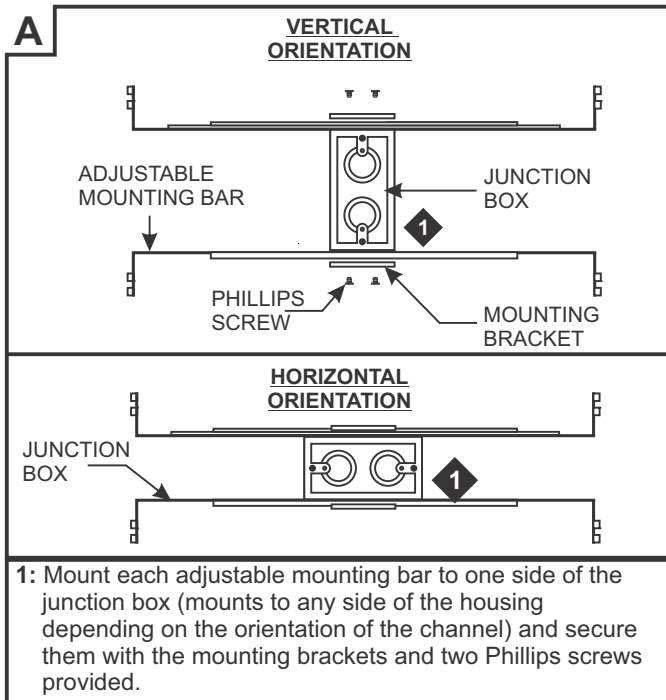
1718 W. Fullerton Ave
Chicago, IL 60614
Tel: 773-770-1196
Fax: 773-935-5613
www.purelighting.com
info@purelighting.com

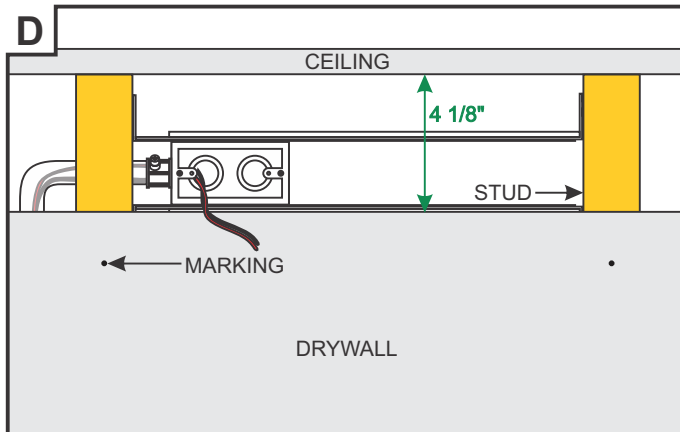
IMPORTANT INFORMATION

- This instruction shows a typical installation.

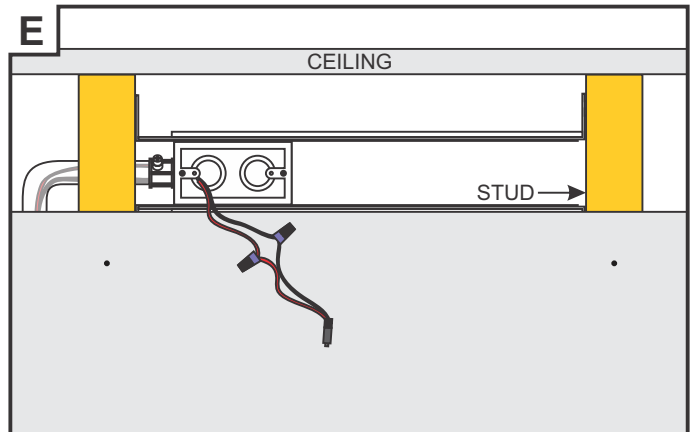
SAVE THESE INSTRUCTIONS!

Horizontal Channel Installation

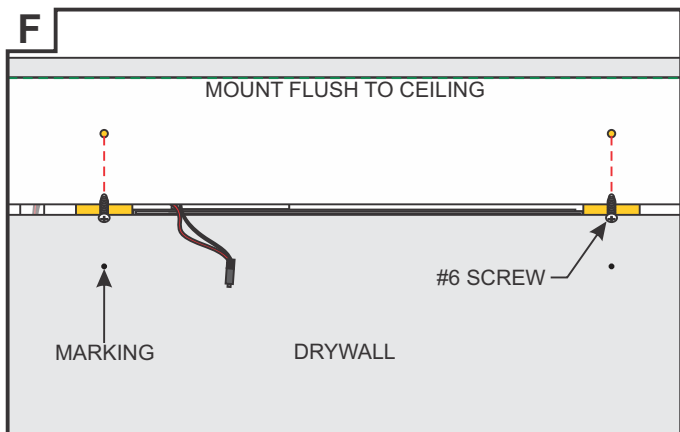




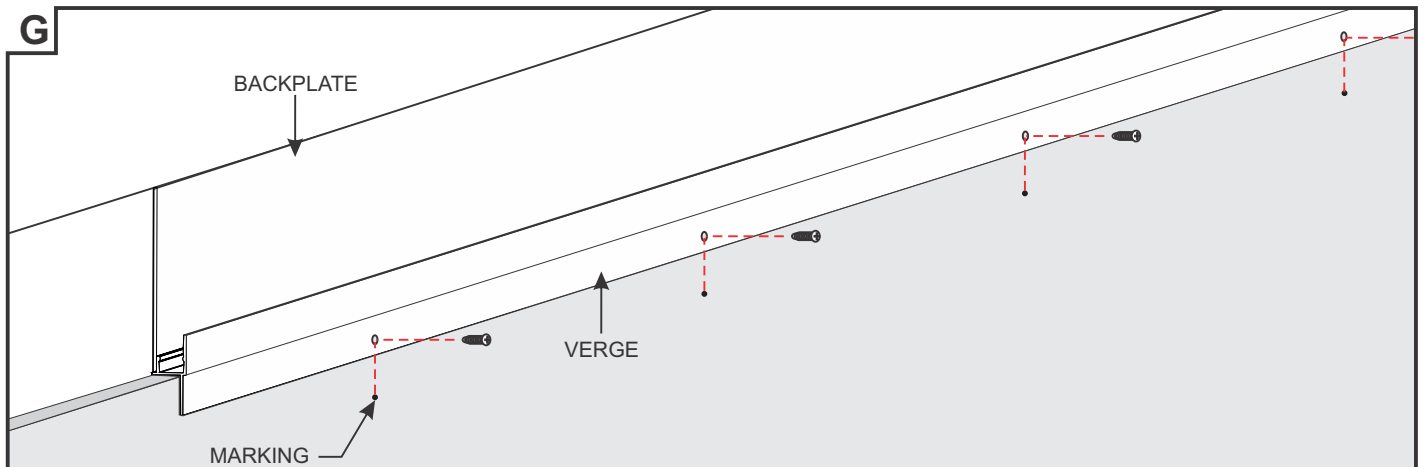
- 8:** Cut the drywall 4 1/8" from the ceiling.
- 9:** Mount the drywall to the studs. Mark the stud locations on the drywall.



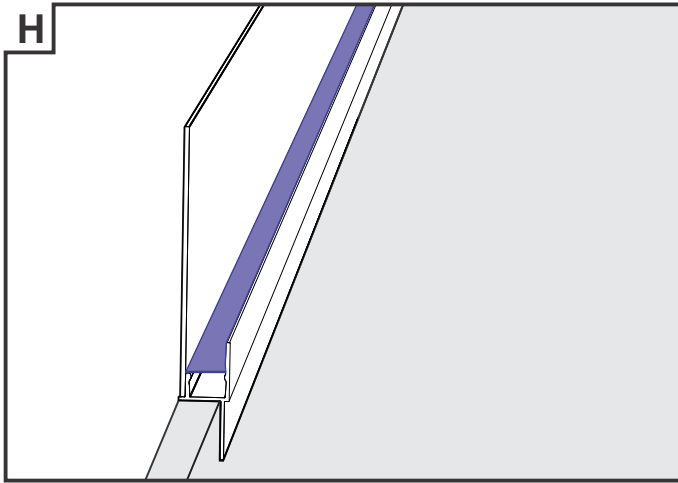
- 10:** Connect the red 24VDC power supply wire to the red power connector wire. Connect the black 24VDC power supply wire to the black power connector wire.
- 11:** Place the wire nut connections into the junction box, leaving the power connector free.



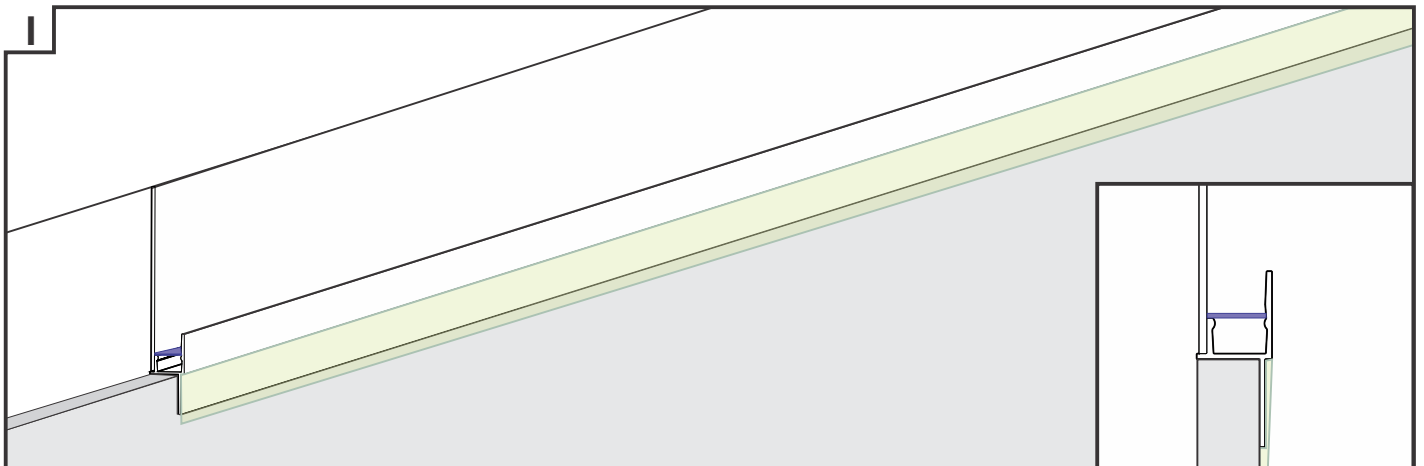
- 12:** Using the mark locations on the drywall, carefully make a hole to the backplate using the provided square drill with counter sink bit. Ensure the top edge of the backplate is flush with the ceiling.
- 13:** Secure the backplate to the studs with the #6 screws using the provided square recess bit.
- 14:** Sand, prime and paint the backplate and screws before continuing. For best results, use matte paint.



- 13:** Using the mark locations on the drywall, carefully make a hole to the Verge using the provided square drill with counter sink bit.
- 14:** Secure the channel to the drywall with the #6 screws using the provided square recess bit. Suggested screw spacing is 6".

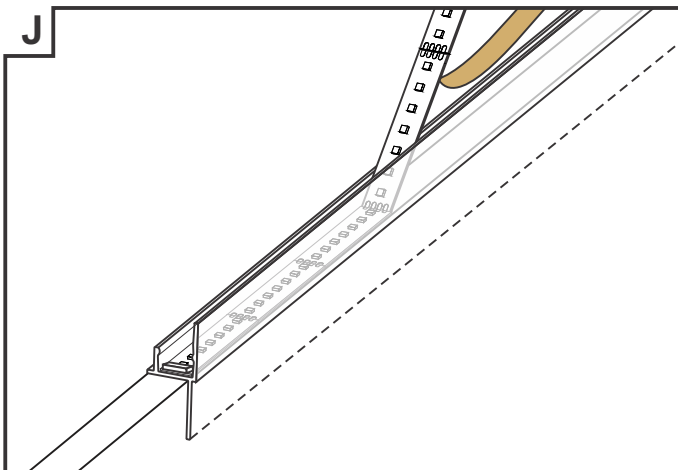


15: Cover up the opening section of the Verge with blue contractors tape to prevent plaster and dust entering inside the channel.



16: Plaster the channel flange edge to the wall & fill screw holes (highlighted in green). Finish the wall properly.

17: Remove the blue contractor tape & clean the inside of the channel.

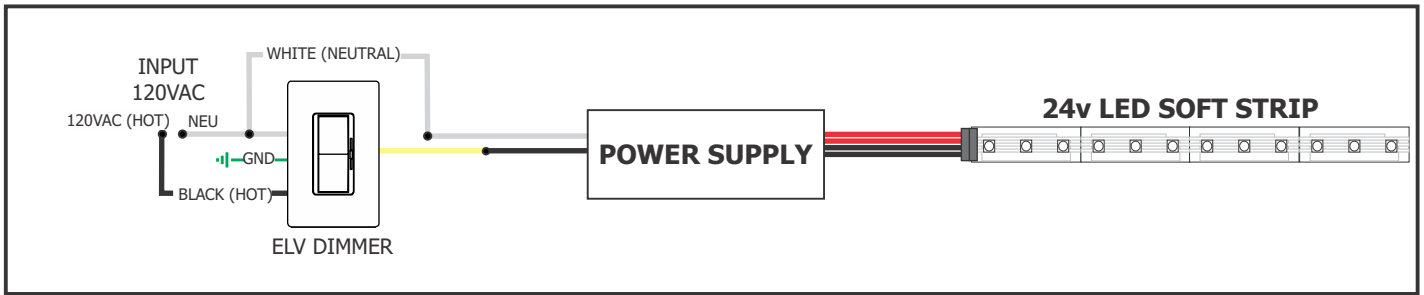


8: Cut the drywall 4 1/8" from the ceiling.

9: Mount the drywall to the studs. Mark the stud locations on the drywall.

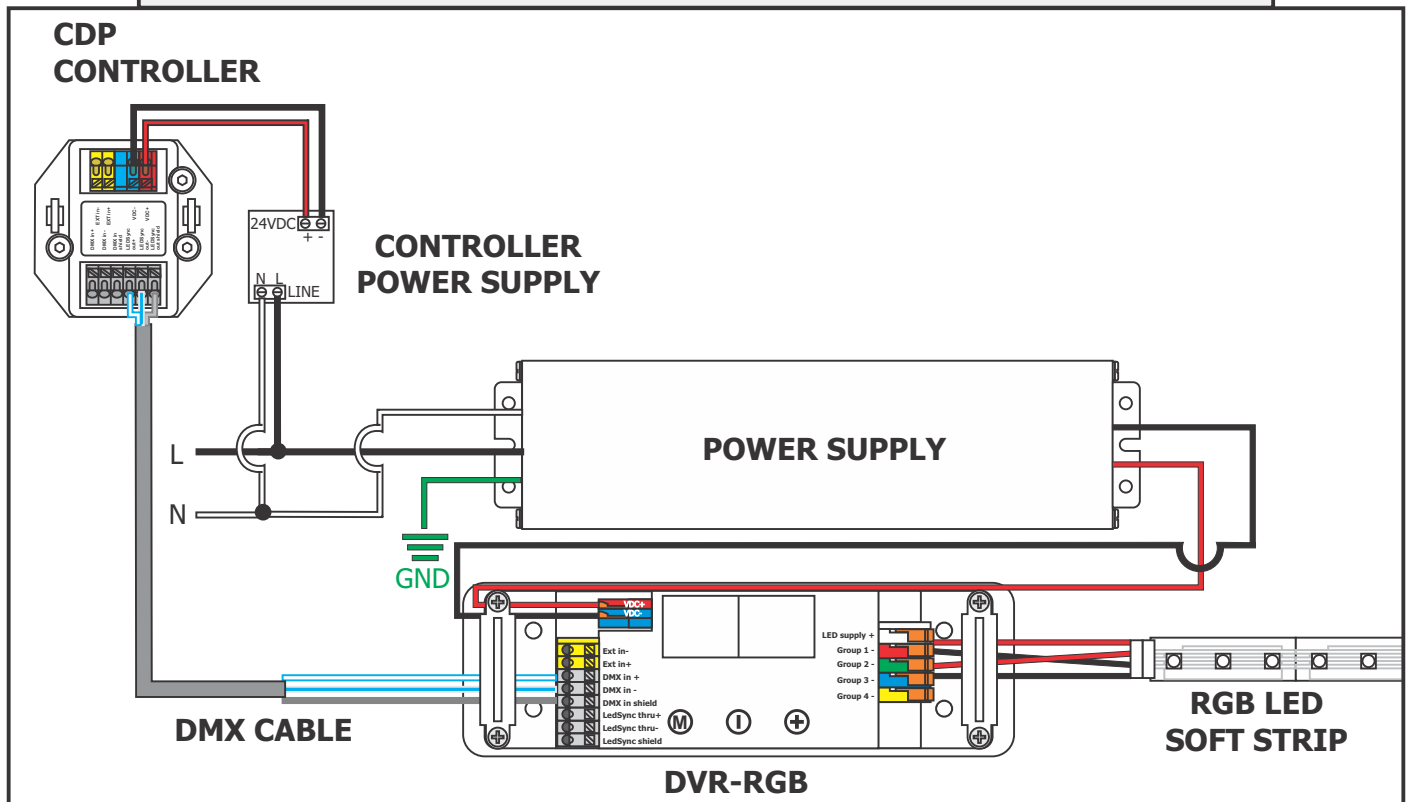
NOTE: If installation requires RGB, RGB+W, or Variable White, refer to wiring diagrams on pages 4-6.

General 24VDC Configuration



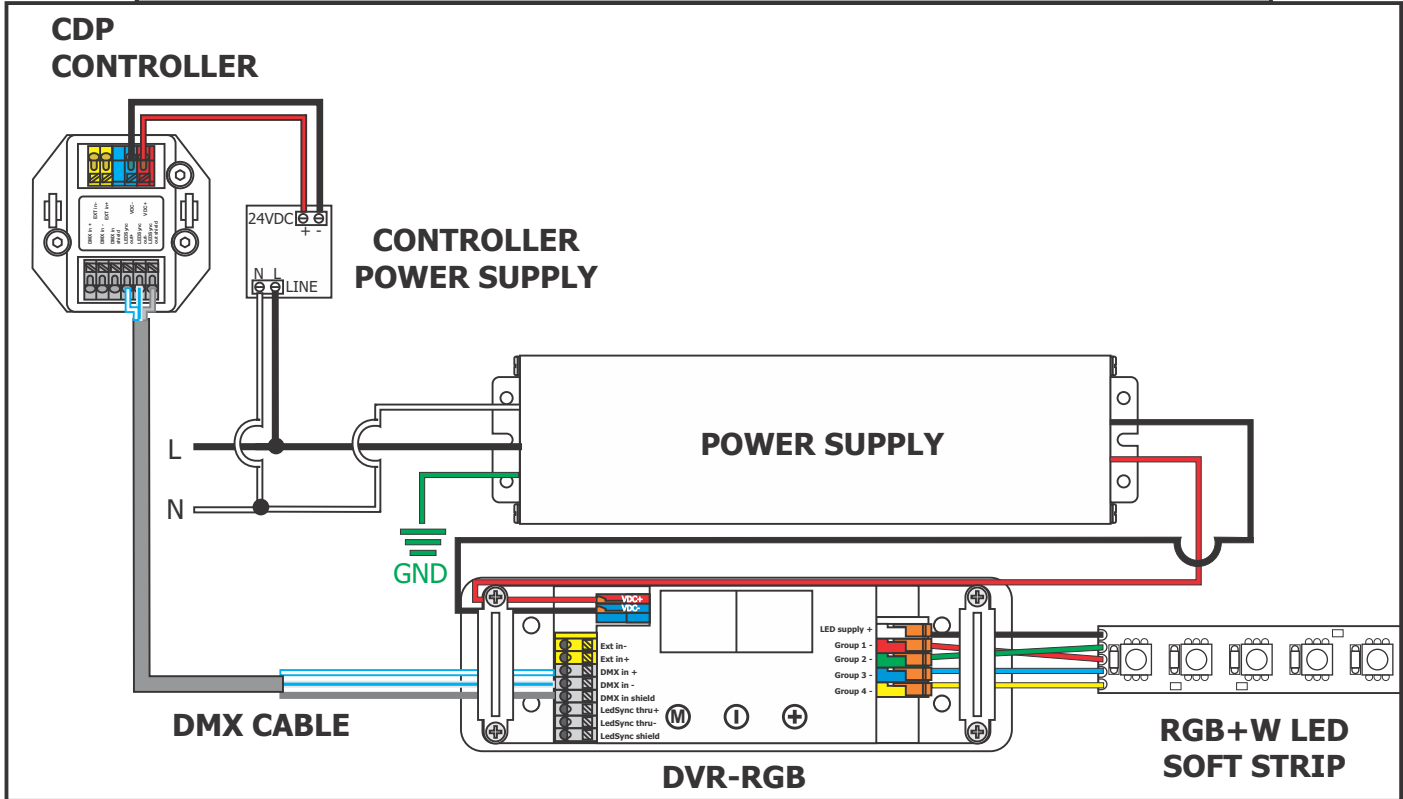
Standard RGB Configuration

Using LED Power Supply with RGB Soft Strip & CDP or CTP Control



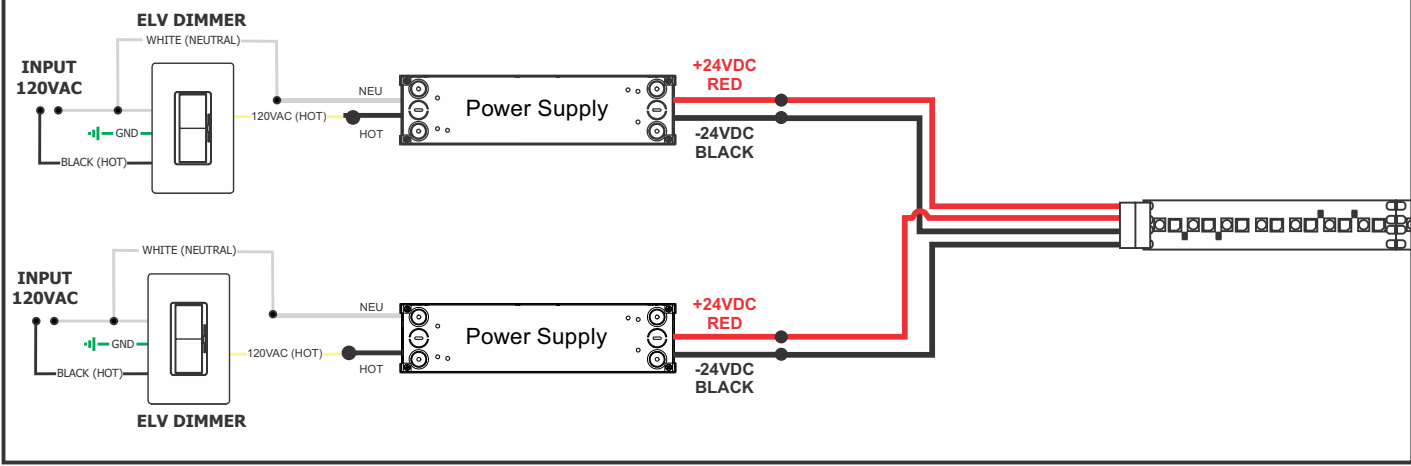
RGB+W Configuration

Using LED Power Supply with RGB+W Soft Strip & CDP or CTP Control



Variable White Configuration

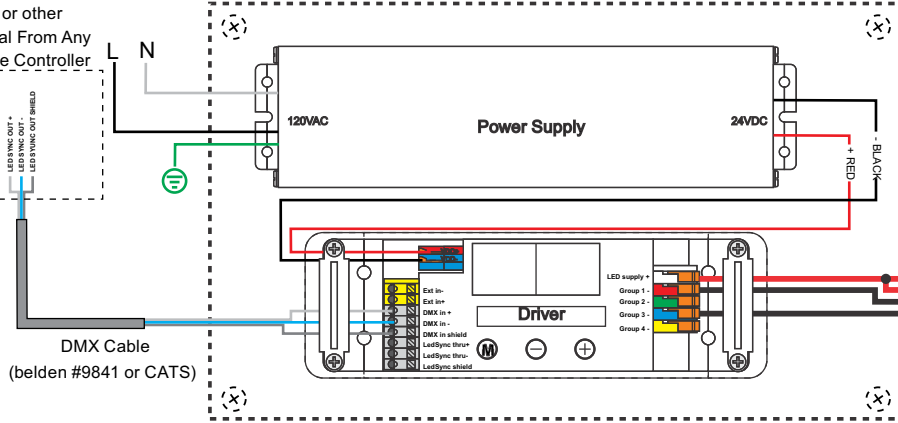
Dual Power Supplies Controlled Via Individual ELV Dimmers



Variable White Configuration

RGB Power Supply with DMX Controller

CDP/CTP or other
DMX Signal From Any
Compatible Controller



If using a CDP Color Dial, configure your CDP
to Warm White mode using DIP switches and
follow CDP operating instructions:



DMX Cable
(belden #9841 or CATS)