

Description: TruLine 1.6A creates a clean line of glare-free general illumination within 5/8" drywall. The 24VDC linear LED system features a shallow, 5/8" deep plaster-in aluminum extrusion no thicker than drywall that houses two rows of high CRI, commercial-grade white or color-changing LED Soft Strip. Its 1.6" wide diffuser lens projects a clean line of light without LED dots. System mounts to studs without joist modification. TruLine is sold in 1 foot increments up to 40 feet (5WDC, white LEDs only), 20 feet (10WDC, white or RGB LEDs) or 8 feet (12WDC RGBW LEDs) and may be field-cut to any length. Channel ships in 8 foot lengths. Coordinate installation with electrician and drywall contractors. Fixture includes a 5 year warranty. ETL listed. Patent pending.

Design Note: TruLine 1.6A can be installed on a single surface (wall or ceiling), or on multiple planes that join runs from wall to ceiling, or from one wall to an adjacent wall. Add optional components to create desired configurations, including Picture Frame Miter (LED on side of channel) and Room Wrapping (LED flat in channel) applications. Create rectangle or square configurations with TruQuad.

Applications: Indoor Only—General illumination and architectural lighting for offices, hospitality, retail, residences, libraries, closets, hallways, bath/vanity.

Lamp:

Watts per Foot	Lumens per Watt	Lumens per Foot	85+CRI	90+CRI	95+CRI	RGB	RGBW
			24k, 35K, 40K, 57K	2K4K	27K, 30K		
5WDC (2x2.5W)	77	386	●		●		
10WDC (2x5W)	71	698	●	●	●	●	
12WDC (2x6W)	N/A	N/A					●

Lumen values are based on the 3000K LED test.

Average Lamp Life: 50,000 hours

24VDC Power Supply:

White LED system, compatible Electronic Low Voltage Dimming (ELV) 120VAC input:

PSB-60W-ELV-24VDC (60W output) | PSB-100W-ELV-24VDC (96W output) | PSB-2X100W-ELV-24VDC (2X96W output) | PSB-3X100W-ELV-24VDC (3X96W output) | PSB-4X100W-ELV-24VDC (4X96W output)

White LED system, compatible 0-10 Volt Dimming (010) 120-277VAC input:

PSB-96W-010-24VDC (96W output) | PSB-2X96W-010-24VDC (2X96W output) | PSB-3X96W-010-24VDC (3X96W output) | PSB-4x96W-010-24VDC (4X96W output)

In-Wall Mounting Kits: PSB-60W-ELV-24VDC-IW | PSB-100W-ELV-24VDC-IW | PSB-2X100W-ELV-24VDC-IW |

PSB-96W-010-24VDC-IW | PSB-2X96W-010-24VDC-IW

RGB and RGBW LED System: PSB-100W-24VDC-RGB (100W output) | PSB-2X100W-24VDC-RGB

(2X100W output) | PSB-3X100W-24VDC-RGB (3X100W output) | PSB-4X100W-24VDC-RGB (4X100W output)

Dimming and Controls:

ELV Dimmers: Legrand: Adorne ADTH700RMTU ; Lutron: DIVA DVELV-300P, Skylark SELV-300P and Maestro MAELV-600. **010V Dimmers:** Lutron: Radio Ra2 (with GRX-TVI), Grafik Eye Qs (with GRX-TVI), Diva (with PP20); Nova T; Philips: Sunrise SR1200ZTUNV; Leviton: IP710-DL. **RGB Controls:** Touch Screen Controller with Power Supply (CTP), or Color Dial Controller with Power Supply (CDP).

Included Components: TruLine 1.6A channels, LED Soft Strip, TL 1.6A Junction Box, TL 1.6A Take-Up Box and all mounting hardware. See page 2 of spec sheet for additional details.

TRULINE 1.6A ORDERING CODES

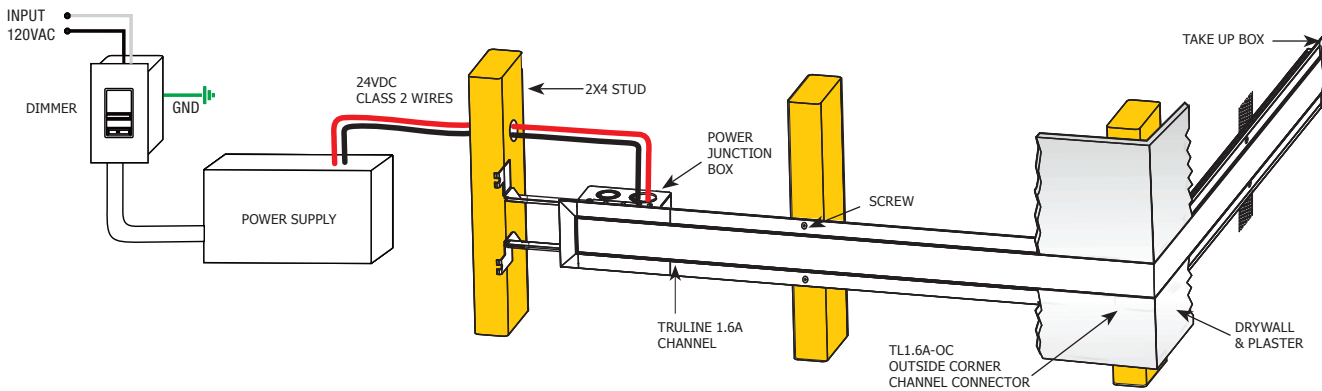
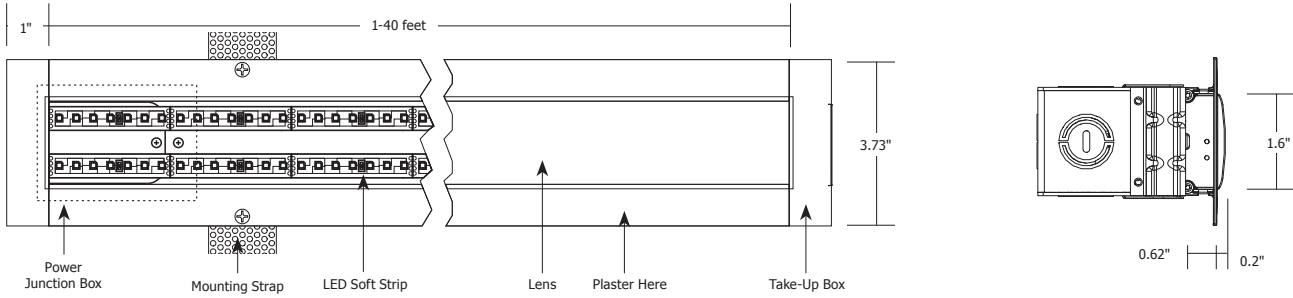
System	Watts per Foot	Length in Feet	Color Temperature
TL1.6A - 5WDC - 40FT - 27K			
TL.1.6A	TruLine 5WDC 5 Watts	1-40 Ft	24K 2400K
	1.6" Wide 10WDC 10 Watts	10WDC 1-20 ft	27K 2700K
	5/8" Deep 12WDC 12 Watts (RGBW only)	12WDC 1-8 ft	30K 3000K
			35K 3500K
			40K 4000K
			57K 5700K
			2K4K 20K - 41K (10W only)
			RGB (10W only)
			RGBW RGB and 20K (12W only)

For custom design and layout assistance, send drawings to design@purelighting.com

COMPANY		FIXTURE TYPE		DATE	
PROJECT		APPROVED BY			

Product specification subject to change without notification. REV. 09.02.15





INCLUDED COMPONENTS



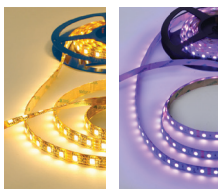
TRULINE 1.6A POWER JUNCTION BOX

Slim profile junction box mounts behind 5/8" drywall. Low voltage DC wires from remote power supply connect to LED wires. Junction box opening covered by TruLine channel.



TRULINE 1.6A TAKE-UP BOX

Prevent dark spots at end of run by tucking excess LED Soft Strip safely behind wall.



LED SOFT STRIP

2 rows of commercial grade white or color changing LED Soft Strip. See Lamp data on page 1 of spec sheet for additional details.

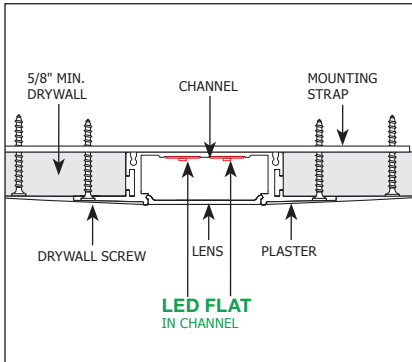
COMPANY		FIXTURE TYPE		DATE	
PROJECT		APPROVED BY			

Product specification subject to change without notification. REV. 09.02.15

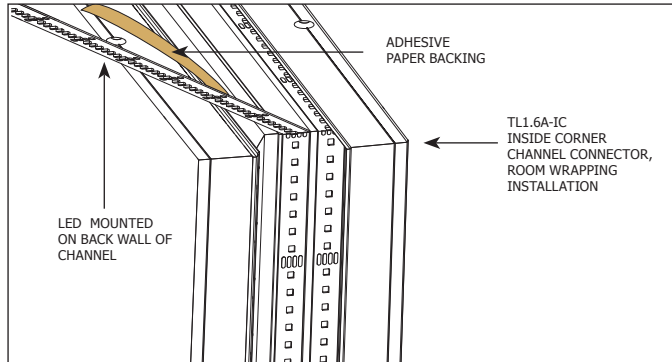




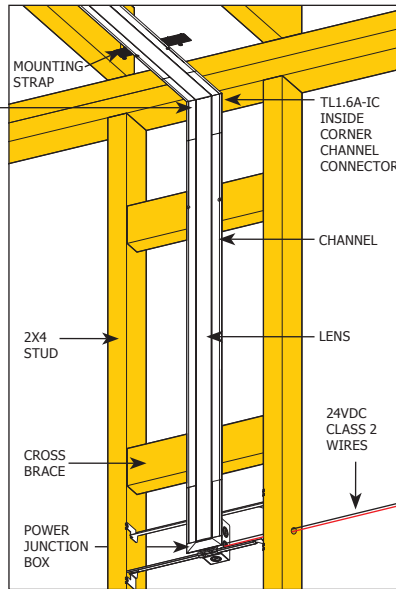
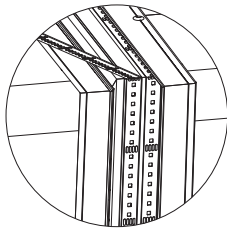
ROOM WRAPPING APPLICATION - LED FLAT IN CHANNEL



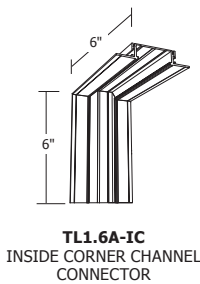
**TRULINE 1.6A SECTION VIEW
LED FLAT IN CHANNEL**



ROOM WRAPPING INSTALLATION



TRULINE 1.6A ROOM WRAPPING



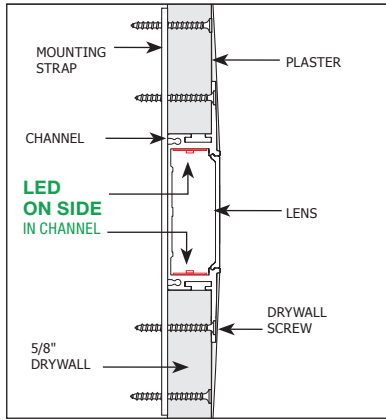
A Division of PureEdge Lighting 1718 W. Fullerton Chicago, IL 60614 • Ph: 773.770.1196 • Ph: 773.883.6128 • Fax: 773.883.6128 • www.purelighting.com



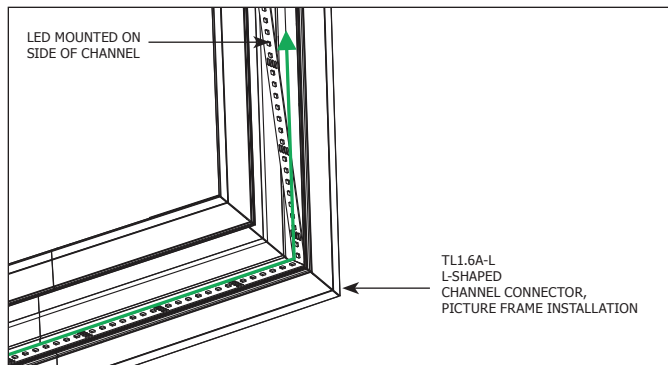
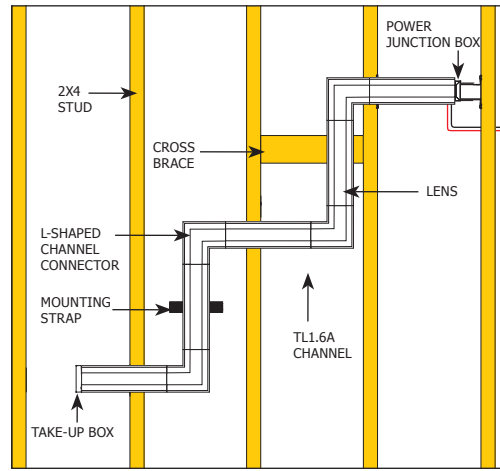
COMPANY		FIXTURE TYPE		DATE	
PROJECT		APPROVED BY			



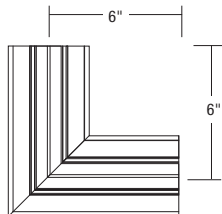
PICTURE FRAME MITER APPLICATION - LED ON SIDE OF CHANNEL



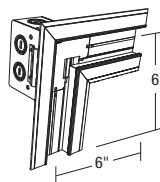
TRULINE 1.6A
SECTION VIEW - LED ON SIDE



PICTURE FRAME MITER INSTALLATION



TL1.6A-L
L-SHAPED CHANNEL CONNECTOR



TL1.6A-LP
L-SHAPED POWER CHANNEL CONNECTOR

A Division of PureEdge Lighting 1718 W. Fullerton Chicago, IL 60614 • Ph: 773.770.1196 • Fax: 773.883.6128 • www.purelighting.com



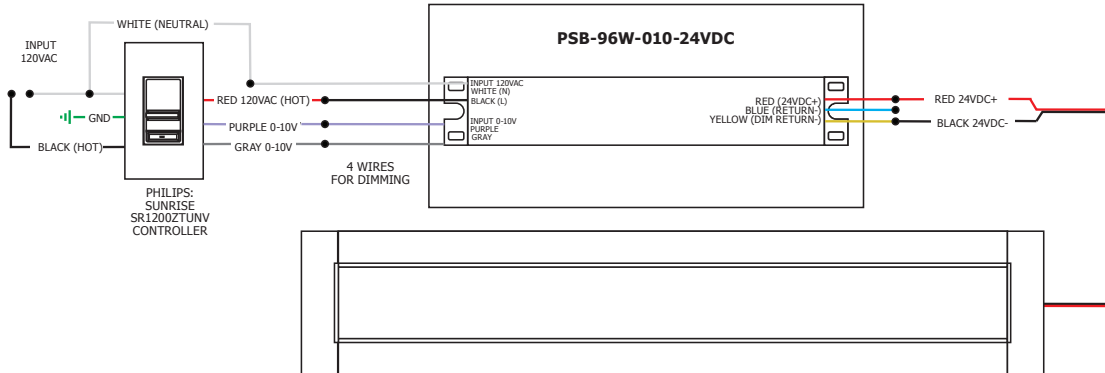
COMPANY		FIXTURE TYPE		DATE	
PROJECT		APPROVED BY			



Application: 0-10V dimming for TruLine 1.6A
Power Supply: PSB-96W-010-24VDC (24VDC 96W output) | PSB-2X96W-010-24VDC (24VDC 2X96W output).
Dimming: Radio Ra2 (with GRX-TVI), Grafik Eye Qs (with GRX-TVI), Diva (with PP20); Nova T; Philips: Sunrise SR1200ZTUNV; Leviton: IP710-DL.

96W, 24VDC LOW VOLTAGE WIRE SIZE CHART: 3% VOLTAGE DROP

WIRE LENGTH (FT)	UP TO 33FT	34FT-52FT	53FT-86FT	87FT-130FT
WIRE SIZE	14 AWG	12 AWG	10 AWG	8 AWG
VOLTAGE AT END OF WIRE	23.28VDC	23.29VDC	23.28VDC	23.28VDC



A Division of PureEdge Lighting 1718 W. Fullerton Chicago, IL 60614 • Ph: 773.770.1196 • Fax: 773.883.6128 • www.purelighting.com



COMPANY		FIXTURE TYPE		DATE	
PROJECT		APPROVED BY			



5 WATTS PER FOOT - 24K, 27K, 30K, 35K, 40K AND 57K WHITE LEDS

LENGTH IN FEET	WATTS
1	5
2	10
3	14
4	19
5	24
6	29
7	34
8	38
9	43
10	48

LENGTH IN FEET	WATTS
11	53
12	58
13	63
14	67
15	72
16	77
17	82
18	87
19	91
20	96

LENGTH IN FEET	WATTS
21	2 x 51W
22	2 x 53W
23	2 x 55W
24	2 x 58W
25	2 x 60W
26	2 x 62W
27	2 x 65W
28	2 x 67W
29	2 x 70W
30	2 x 72W

LENGTH IN FEET	WATTS
31	2 x 74W
32	2 x 77W
33	2 x 79W
34	2 x 82W
35	2 x 84W
36	2 x 86W
37	2 x 89W
38	2 x 91W
39	2 x 94W
40	2 x 96W

10 WATTS PER FOOT - 24K, 27K, 30K, 35K, 40K, 57K, 2K4K AND RGB LEDS

LENGTH IN FEET	WATTS
1	10
2	19
3	29
4	38
5	48

LENGTH IN FEET	WATTS
6	58
7	67
8	77
9	86
10	96

LENGTH IN FEET	WATTS
11	2 x 53
12	2 x 58
13	2 x 62
14	2 x 67
15	2 x 72

LENGTH IN FEET	WATTS
16	2 x 77
17	2 x 82
18	2 x 87
19	2 x 91
20	2 x 96

12 WATTS PER FOOT - RGBW LEDS

LENGTH IN FEET	WATTS
1	12
2	24

LENGTH IN FEET	WATTS
3	36
4	48

LENGTH IN FEET	WATTS
5	60
6	72

LENGTH IN FEET	WATTS
7	84
8	96

COMPANY		FIXTURE TYPE		DATE	
PROJECT		APPROVED BY			

Product specification subject to change without notification. REV. 09.02.15

A Division of PureEdge Lighting 1718 W. Fullerton Chicago, IL 60614 • Ph: 773.770.1196 • Fax: 773.883.6128 • www.purelighting.com

