



**Description:** TruLine 1.6A creates a clean line of glare-free general illumination within 5/8" drywall. The 24VDC linear LED system features a shallow, 5/8" deep plaster-in aluminum extrusion no thicker than drywall that houses two rows of high CRI, commercial-grade white or color-changing LED Soft Strip. Its 1.6" wide diffuser lens projects a clean line of light without LED dots. System mounts to studs without joist modification. TruLine is sold in 1 foot increments up to 40 feet (5WDC, white LEDs only), 20 feet (10WDC, white or RGB LEDs) or 16 feet (12WDC RGBW LEDs) and may be field-cut to any length. Channel ships in 8 foot lengths. Coordinate installation with electrician and drywall contractors. Fixture includes a 5 year warranty. ETL listed. Patent pending.

**Design Note:** TruLine 1.6A can be installed on a single surface (wall or ceiling), or on multiple planes that join runs from wall to ceiling, or from one wall to an adjacent wall. Add optional components to create desired configurations, including Picture Frame Miter (LED on side of channel) and Room Wrapping (LED flat in channel) applications. Create rectangle or square configurations with TruQuad.

**Applications:** Indoor Only—General illumination and architectural lighting for offices, hospitality, retail, residences, libraries, closets, hallways, bath/vanity.

**Lamp:**

Watts per Foot	Lumens per Watt	Lumens per Foot	85+CRI 24k, 35K, 40K, 57K	90+CRI 2K4K	92+CRI 27D, 30D	95+CRI 27K, 30K	RGB	RGBW
5WDC (2x2.5W)	77	386	•		•	•		
10WDC (2x5W)	71	698	•	•		•	•	
12WDC (2x6W)	N/A	N/A						•

Lumen values are based on the 3000K LED test.

**Average Lamp Life:** 50,000 hours

**24VDC Power Supply (Sold Separately):**

**White LED system, compatible Electronic Low Voltage Dimming (ELV) 120VAC input:**

PSB-60W-ELV-24VDC (60W output) | PSB-100W-ELV-24VDC (96W output) | PSB-2X100W-ELV-24VDC (2X96W output) | PSB-3X100W-ELV-24VDC (3X96W output) | PSB-4X100W-ELV-24VDC (4X96W output)

**White LED system, compatible 0-10 Volt Dimming (010) 120-277VAC input:**

PSB-96W-010-24VDC (96W output) | PSB-2X96W-010-24VDC (2X96W output) | PSB-3X96W-010-24VDC (3X96W output) | PSB-4x96W-010-24VDC (4X96W output)

**In-Wall Mounting Kits:** PSB-60W-ELV-24VDC-IW | PSB-100W-ELV-24VDC-IW | PSB-2X100W-ELV-24VDC-IW | PSB-96W-010-24VDC-IW | PSB-2X96W-010-24VDC-IW

**RGB and RGBW LED System:** PSB-100W-24VDC-RGB (100W output) | PSB-2X100W-24VDC-RGB (2X100W output) | PSB-3X100W-24VDC-RGB (3X100W output) | PSB-4X100W-24VDC-RGB (4X100W output)

**Dimming and Controls:**

**ELV Dimmers:** Legrand: Adorne ADTH700RMTU ; Lutron: DIVA DVELV-300P, Skylark SELV-300P and Maestro MAELV-600. **010V Dimmers:** Lutron: Radio Ra2 (with GRX-TVI), Grafik Eye Qs (with GRX-TVI), Diva (with PP20); Nova T; Philips: Sunrise SR1200ZTUNV; Leviton: IP710-LF. **RGB Controls:** Touch Screen Controller with Power Supply (CTP), Color Dial Controller with Power Supply (CDP), DMX 1 Zone RGBW Touch Controller (CDMX1-RGBW), or Tunable White Touch Controller (CDMX1-2XK)

**Included Components:** TruLine 1.6A channel, lens, LED Soft Strip, TL 1.6A Junction Box, TL1.6A Take-Up Box and all mounting hardware. See page 2 of spec sheet for additional details.

**TRULINE 1.6A ORDERING CODES**

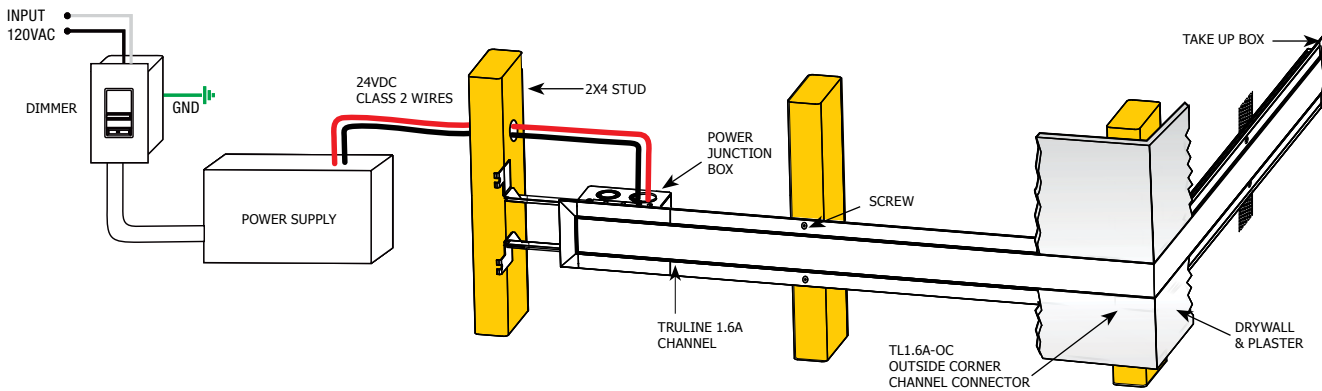
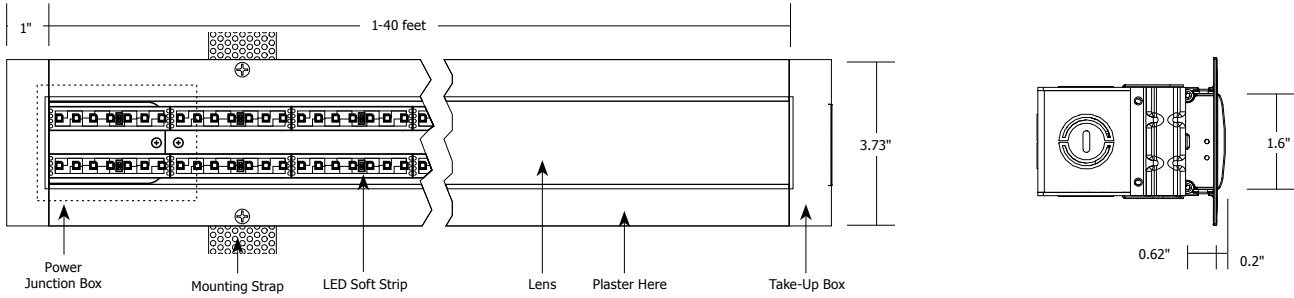
System	Watts per Foot	Length in Feet	Color Temperature
<b>TL1.6A</b>	<b>- 5WDC</b>	<b>- 40FT</b>	<b>- 27K</b>
<b>TL1.6A</b>	TruLine 1.6" Wide 5/8" Deep	5WDC 5 Watts 10WDC 10 Watts 12WDC 12 Watts (RGBW only)	1-40 Ft 10WDC 1-20 ft 12WDC 1-16 ft
		<b>24K</b> <b>27K</b> <b>27D</b> <b>30K</b> <b>30D</b> <b>35K</b>	2400K Amber White 2700K Very Warm White 2700K Warm Dim (5WDC only) 3000K Warm White 3000K Warm Dim (5WDC only) 3500K Neutral White
		<b>40K</b> <b>57K</b> <b>2K4K</b> <b>RGB</b> <b>RGBW</b>	4000K Cool White 5700K Daylight White 2000K-4100K Tunable White (10WDC only) RGB (10W only) RGB and 20K (12W only)

For custom design and layout assistance, send drawings to design@purelighting.com

COMPANY		FIXTURE TYPE		DATE	
PROJECT		APPROVED BY			

Product specification subject to change without notification. REV. 10.14.16





**INCLUDED COMPONENTS**



**TRULINE 1.6A POWER JUNCTION BOX**

Slim profile junction box mounts behind 5/8" drywall. Low voltage DC wires from remote power supply connect to LED wires. Junction box opening covered by TruLine channel.



**TRULINE 1.6A TAKE-UP BOX**

Prevent dark spots at end of run by tucking excess LED Soft Strip safely behind wall.



**LED SOFT STRIP**

2 rows of commercial grade white or color changing LED Soft Strip. See Lamp data on page 1 of spec sheet for additional details.

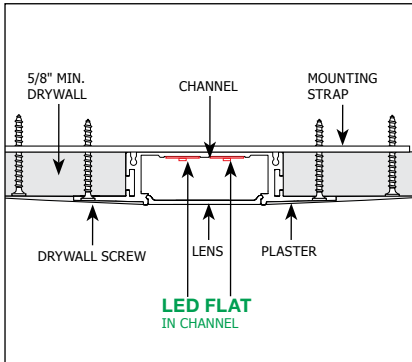
COMPANY		FIXTURE TYPE		DATE	
PROJECT		APPROVED BY			

Product specification subject to change without notification. REV. 10.14.16

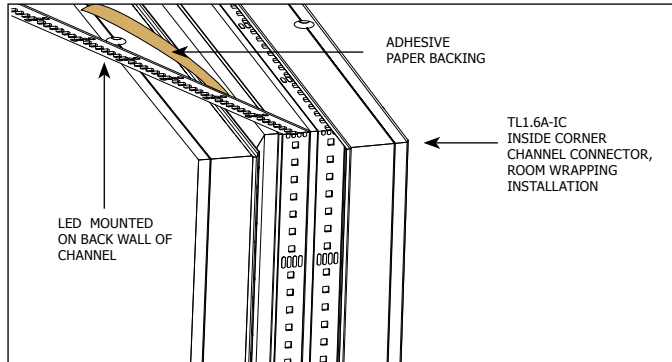




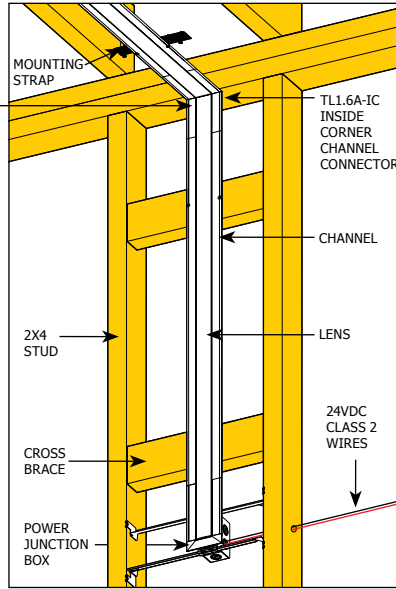
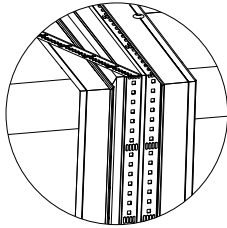
**ROOM WRAPPING APPLICATION - LED FLAT IN CHANNEL**



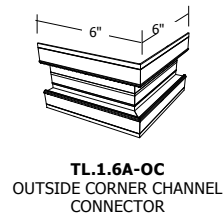
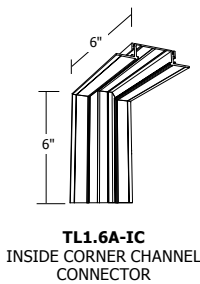
**TRULINE 1.6A SECTION VIEW  
LED FLAT IN CHANNEL**



**ROOM WRAPPING INSTALLATION**



**TRULINE 1.6A ROOM WRAPPING**



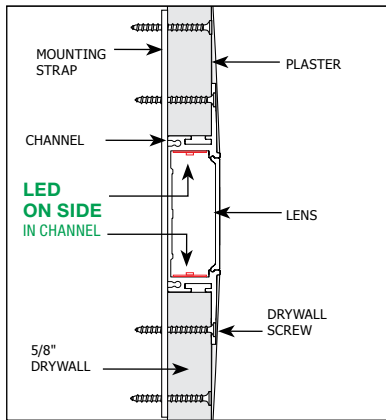
A Division of PureEdge Lighting 1718 W. Fullerton Chicago, IL 60614 • Ph: 773.770.1196 • Ph: 773.883.6128 • Fax: 773.883.6128 • www.purelighting.com



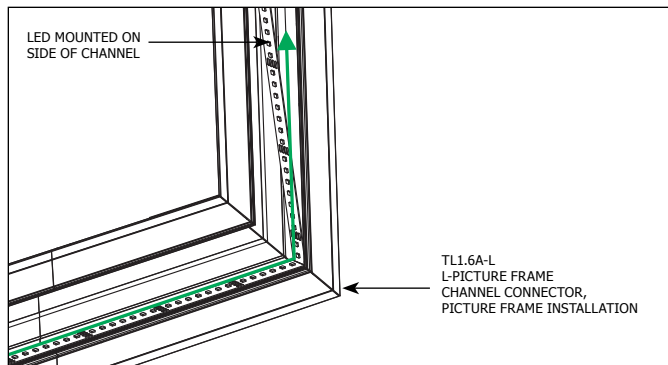
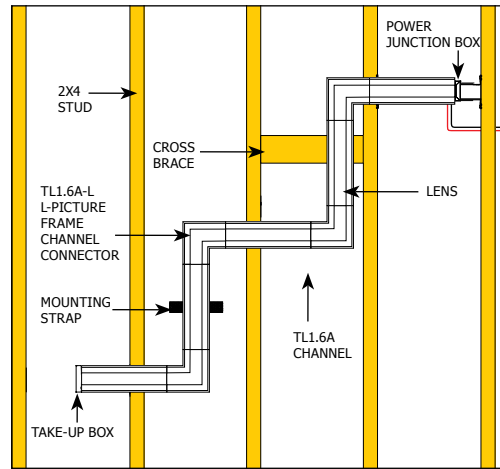
COMPANY		FIXTURE TYPE		DATE	
PROJECT		APPROVED BY			



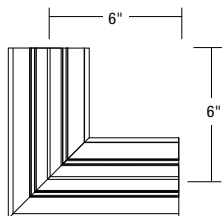
**PICTURE FRAME MITER APPLICATION - LED ON SIDE OF CHANNEL**



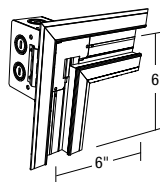
**TRULINE 1.6A  
SECTION VIEW - LED ON SIDE**



**PICTURE FRAME MITER INSTALLATION**



**TL1.6A-L  
L-PICTURE FRAME  
CHANNEL CONNECTOR**



**TL1.6A-LP  
L-PICTURE FRAME  
POWER CHANNEL CONNECTOR**

COMPANY		FIXTURE TYPE		DATE	
PROJECT		APPROVED BY			

Product specification subject to change without notification. REV. 10.14.16

A Division of PureEdge Lighting 1718 W. Fullerton Chicago, IL 60614 • Ph: 773.770.1196 • Ph: 773.883.6128 • Fax: 773.883.6128 • www.purelighting.com

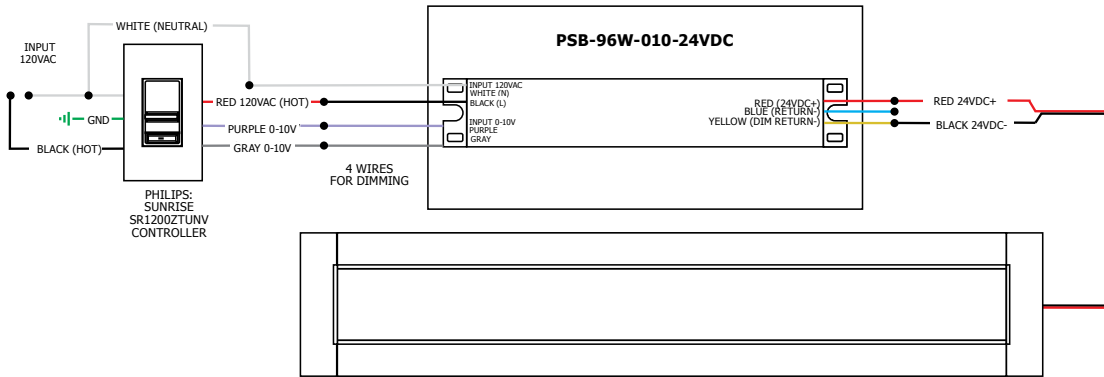




**Application:** 0-10V dimming for TruLine 1.6A  
**Power Supply:** PSB-96W-010-24VDC (24VDC 96W output) | PSB-2X96W-010-24VDC (24VDC 2X96W output).  
**Dimming:** Radio Ra2 (with GRX-TVI), Grafik Eye Qs (with GRX-TVI), Diva (with PP20); Nova T; Philips: Sunrise SR1200ZTUNV; Leviton: IP710-LF.

96W, 24VDC LOW VOLTAGE WIRE SIZE CHART: 3% VOLTAGE DROP

WIRE LENGTH (FT)	UP TO 33FT	34FT-52FT	53FT-86FT	87FT-130FT
WIRE SIZE	14 AWG	12 AWG	10 AWG	8 AWG
VOLTAGE AT END OF WIRE	23.28VDC	23.29VDC	23.28VDC	23.28VDC



A Division of PureEdge Lighting 1718 W. Fullerton Chicago, IL 60614 • Ph: 773.770.1196 • Fax: 773.883.6128 • www.purelighting.com



COMPANY		FIXTURE TYPE		DATE	
PROJECT		APPROVED BY			



**5 WATTS PER FOOT - 24K, 27K, 27D, 30K, 30D, 35K, 40K AND 57K WHITE LEDS**

LENGTH IN FEET	WATTS
1	5
2	10
3	14
4	19
5	24
6	29
7	34
8	38
9	43
10	48

LENGTH IN FEET	WATTS
11	53
12	58
13	63
14	67
15	72
16	77
17	82
18	87
19	91
20	96

LENGTH IN FEET	WATTS
21	2 x 51W
22	2 x 53W
23	2 x 55W
24	2 x 58W
25	2 x 60W
26	2 x 62W
27	2 x 65W
28	2 x 67W
29	2 x 70W
30	2 x 72W

LENGTH IN FEET	WATTS
31	2 x 74W
32	2 x 77W
33	2 x 79W
34	2 x 82W
35	2 x 84W
36	2 x 86W
37	2 x 89W
38	2 x 91W
39	2 x 94W
40	2 x 96W

**10 WATTS PER FOOT - 24K, 27K, 30K, 35K, 40K, 57K, 2K4K AND RGB LEDS**

LENGTH IN FEET	WATTS
1	10
2	19
3	29
4	38
5	48

LENGTH IN FEET	WATTS
6	58
7	67
8	77
9	86
10	96

LENGTH IN FEET	WATTS
11	2 x 53
12	2 x 58
13	2 x 62
14	2 x 67
15	2 x 72

LENGTH IN FEET	WATTS
16	2 x 77
17	2 x 82
18	2 x 87
19	2 x 91
20	2 x 96

**12 WATTS PER FOOT - RGBW LEDS**

LENGTH IN FEET	WATTS
1	12
2	24

LENGTH IN FEET	WATTS
3	36
4	48

LENGTH IN FEET	WATTS
5	60
6	72

LENGTH IN FEET	WATTS
7	84
8	96

COMPANY		FIXTURE TYPE		DATE	
PROJECT		APPROVED BY			

Product specification subject to change without notification. REV. 10.14.16

A Division of PureEdge Lighting 1718 W. Fullerton Chicago, IL 60614 • Ph: 773.770.1196 • Fax: 773.883.6128 • www.purelighting.com

