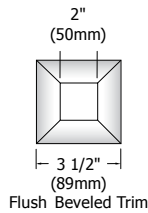


Aurora MR16 Accent Square Beveled 2.0 aperture

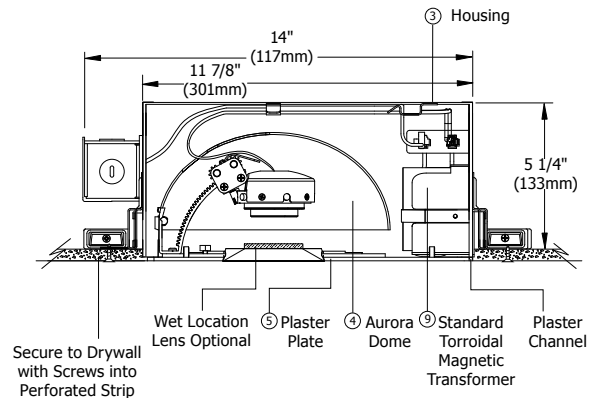
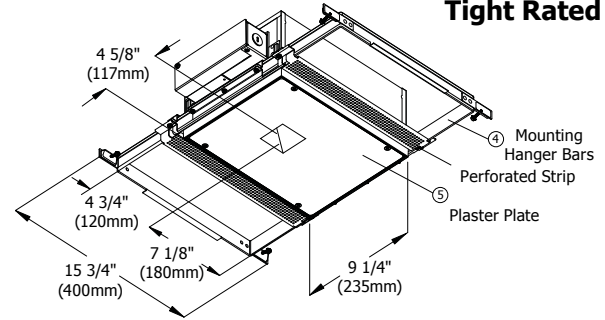
AH1-ASB-SB2

Protected by Patent Number 7,476,008.

Adjustable Accent MR16-50W, 2.0" Aperture



**All Housings
IC and Air
Tight Rated**



Description: Specification grade, recessed, adjustable accent fixture for plaster or drywall construction. The flush mounted rigid plaster plate, which is finished into the ceiling, maintains a flat finish and secures the removable flush beveled trim. The beveled trim raises the 2" (50mm) aperture above the ceiling plane and combining the Aurora dome with the tilt gear hidden behind the lamp creates a clean internal look. Suitable for wet locations with optional lens.

- Lamp:** MR16 12V 50W IR (infrared, equal to 75W halogen) (not included)
- Adjustability:** Hot aiming with Philips screwdriver offers 0 to 42 degrees vertical adjustment and 362 degree horizontal rotation without beam clipping (see lamp chart). Precision machined gear adjustment is concealed behind the lamp. Features self locking tilt and manual locking horizontal rotation.
- Housing:** AH1 IC and air-tight construction, .040" (1mm) thick die formed aluminum. Suitable for remodel and new construction.
- Dome:** Spun aluminum, anodized to a soft haze finish. Hides electrical hardware and tilts for easy access to junction box and transformer.
- Plaster Plate:** 11 7/8" (301mm) x 9 1/4" (235mm) x 1/8" (3mm) aluminum plaster plate, primed and mounted flush with ceiling. Apply Durabond®* ceiling compound at the perimeter of the housing. This prevents chipping and cracking at the trim aperture, which is common with other flush beveled fixtures.
- Mounting:** Self leveling u-shape telescoping hanger bars extend to allow mounting between studs 13 1/4" - 24" (336-609mm) O.C. Mounting is suitable for new and remodel commercial or residential drywall construction. Designed to accommodate ceiling thickness from 1/2" (13mm) to 1 1/4" (32mm). Notch and label marking for laser alignment.
- Trim:** Die-cast and precision-machined aluminum 3.5" (89mm) trim with a 2" (50mm) aperture. Flush beveled trim mounts with a precision snap-fit into the plaster plate. Finished with white non-gloss powder-coat paint or painted bronze, black or soft silver haze finishes. Wet location lens #LWET available as an accessory.
- Snoot/Back Light Shield:** Machined aluminum snoot and die formed aluminum back shield controls internal spill light. The snoot carries the lamp, a soft focus lens (included) and two optional accessories. Relamp by pulling snoot, which is secured by 5 bullet catches.
- Electrical:** Standard toroidal magnetic transformer rated for 75W load at 120V 60Hz includes integral thermal protection and potting for noise reduction. Secondary output voltage is 11.8 volts. (Electronic USA & international versions: 120V, 230V, 277V). High temperature socket features pure nickel contacts. Total power consumed with load and transformer loss 55 watts 120 volts. Spring clip allows transformer to be easily removed.

Dimmer Type: Dimmer must be compatible with magnetic low-voltage transformers except for electronic USA & international voltage versions.

Label: ETL listed for damp location or wet location when used with glass lens accessory #LWET. 42W max when used with accessory lens.

Weight: 18.75lbs (8.5kg)

Accessories: Lenses and individual components (see accessories page).

AURORA ORDERING CODE FOR COMPLETE FIXTURE:

120V Standard Magnetic:

Collection IC Housing
Function Plaster Plate
2.0" Aperture Trim Finish

AH1 - ASB - SB2W

Aurora Halogen 1 - MR16
Accent Square Beveled
SB2W - White
SB2SA - Satin Aluminum
SB2SZ - Satin Bronze
SB2SB - Satin Black

Electronic USA & International Versions:

Collection IC Housing - Voltage
Function Plaster Plate
2.0" Aperture Trim Finish

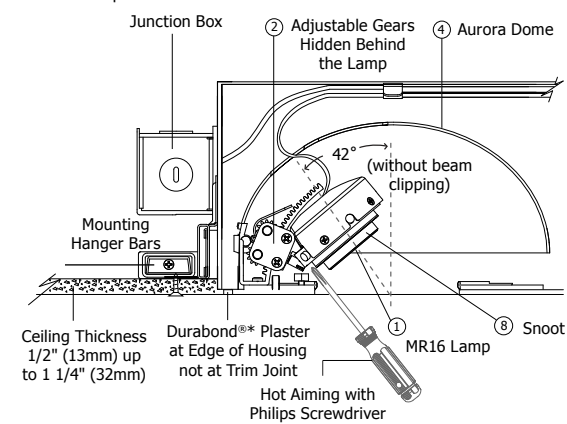
AH1-1 - ASB - SB2W

Aurora Halogen 1 - MR16
Accent Square Beveled
1 - 120V 60HZ
2 - 230V 50HZ
3 - 277V 60HZ
SB2W - White
SB2SA - Satin Aluminum
SB2SZ - Satin Bronze
SB2SB - Satin Black

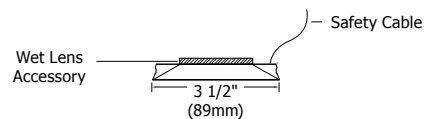
| | | | | | |
|---------|--|--------------|--|------|--|
| COMPANY | | FIXTURE TYPE | | DATE | |
| PROJECT | | APPROVED BY | | | |

Product specification subject to change without notification. REV. 03.22.16

*Durabond® brand is a trademark of USG Corporation.



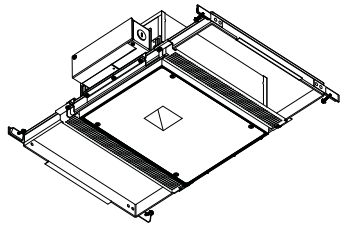
SNAP-FIT FLANGELESS TRIM



A Division of PureEdge Lighting 1718 W. Fullerton Chicago, IL 60614 • Ph: 773.770.1196 • Fax: 773.883.6128 • www.purelighting.com

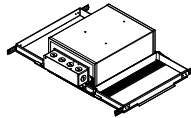


INDIVIDUAL COMPONENTS



AH1-ASB-SB2
(Complete Fixture)

120V Standard Magnetic
IC Housing Part #
AH1 - 120V 60Hz

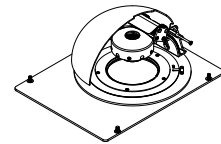


Aurora Halogen Housing Only

Electronic USA & International
IC Housing Part #

AH1-1 - 120V 60Hz
AH1-2 - 230V 50Hz
AH1-3 - 277V 60Hz

Plaster Plate Part # **ASB**



Accent Round Beveled
Plaster Plate Only

Trim Part # **SB2W**



Square Beveled 2" Aperture,
White Trim Only

Trim Part # **SB2SA**



Square Beveled 2" Aperture,
Satin Aluminum Trim Only

Trim Part # **SB2SZ**



Square Beveled 2" Aperture,
Satin Bronze Trim Only

Trim Part # **SB2SB**



Square Beveled 2" Aperture,
Satin Black Trim Only

2" Lens Accessories

PART # COLORS



Dichroic Lenses

- L16-RD** RED
- L16-AM** AMBER
- L16-YL** YELLOW
- L16-GR** GREEN
- L16-BL** BLUE
- L16-PH** PEACH
- L16-MG** MAGENTA
- L16-CY** CYAN
- L16-DB** DARK BLUE
- L16-DP** DARK PINK



Optical Lenses

- L16-F** FROST
- L16-SF** SOFT FOCUS
- L16-MD** MEDIUM DIFFUSER
- L16-WD** WIDE DIFFUSER
- L16-WDF** WIDE DIFFUSER FROSTED
- L16-LS** LINEAR SPREAD
- L16-LSF** LINEAR SPREAD FROSTED



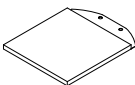
Hexcell Louver

- LO16-H** HEXCELL LOUVER



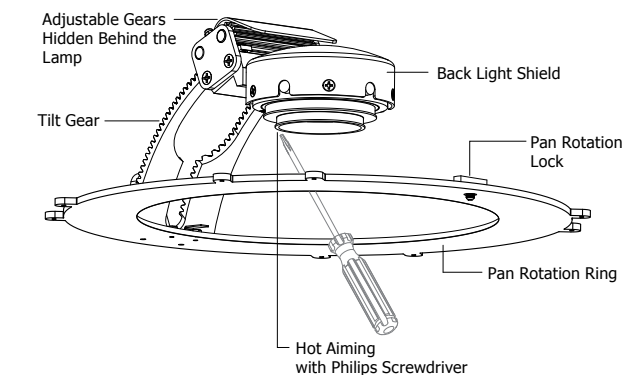
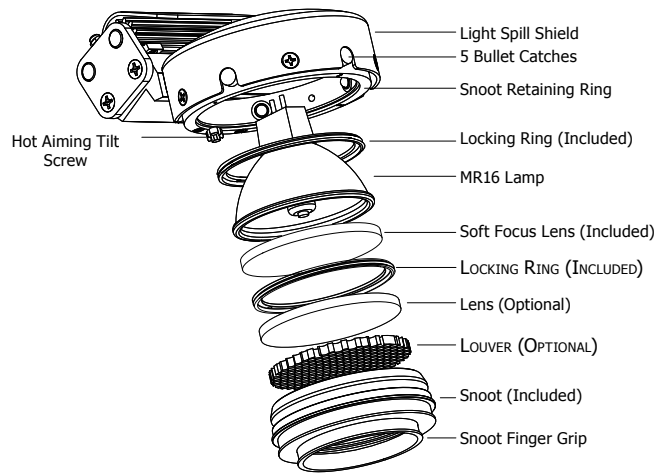
U.V. Filter

- L16-UV** U.V. FILTER



Wet Location Lens

- LWET** A SOFT FOCUS GLASS LENS THAT ATTACHES TO TRIM FOR WET LOCATIONS



A Division of PureEdge Lighting 1718 W. Fullerton Chicago, IL 60614 • Ph: 773.770.1196 • Fax: 773.883.6128 • www.purelighting.com



| | | | | | |
|---------|--|--------------|--|------|--|
| COMPANY | | FIXTURE TYPE | | DATE | |
| PROJECT | | APPROVED BY | | | |