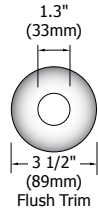


Aurora MR16 Accent Round Edge 1.3 aperture

AH1-ARE-RE1W

Protected by Patent Number 7,476,008.

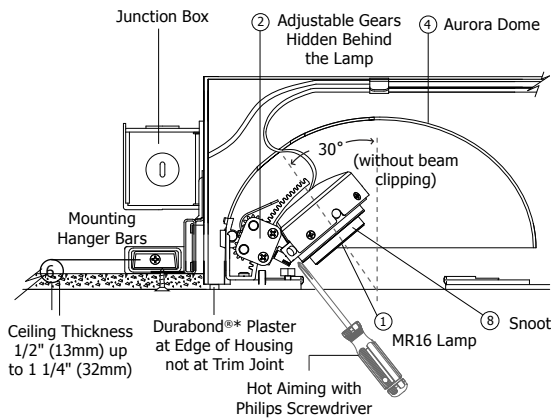
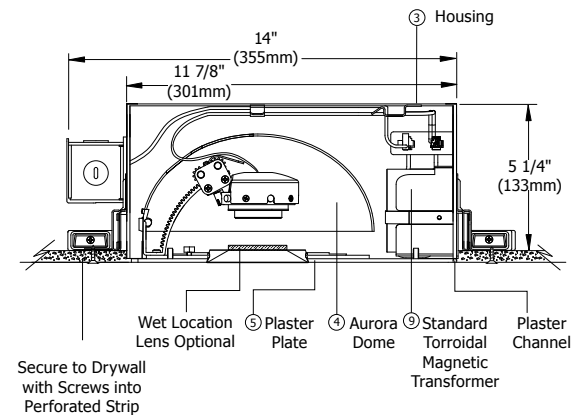
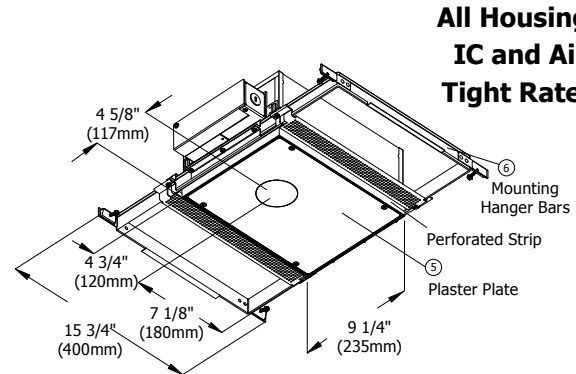
Adjustable Accent MR16-37W, 1.3" Aperture



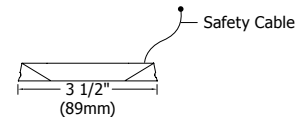
Description: Specification grade, recessed, adjustable accent fixture for plaster or drywall construction. The flush mounted rigid plaster plate, which is finished into the ceiling, maintains a flat finish and secures the removable flush trim. Combining the Pure edge (knife edge) 1.3" (33mm) aperture with the Aurora dome and the tilt gear hidden behind the lamp creates a clean internal look.

- Lamp:** MR16 12V 37W IR (infrared, equal to 50W halogen) (not included)
- Adjustability:** Hot aiming with Philips screwdriver offers 0 to 30 degrees vertical adjustment and 362 degree horizontal rotation without beam clipping (see lamp chart). Precision machined gear adjustment is concealed behind the lamp. Features self locking tilt and manual locking horizontal rotation.
- Housing:** AH1 IC and air-tight construction, .040" (1mm) thick die formed aluminum. Suitable for remodel and new construction.
- Dome:** Spun aluminum, anodized to a soft haze finish. Hides electrical hardware and tilts for easy access to junction box and transformer.
- Plaster Plate:** 11 7/8" (301mm) x 9 1/4" (235mm) x 1/8" (3mm) aluminum plaster plate, primed and mounted flush with ceiling. Apply Durabond®* ceiling compound at the perimeter of the housing. This prevents chipping and cracking at the trim aperture, which is common with other flush fixtures.
- Mounting:** Self leveling u-shape telescoping hanger bars extend to allow mounting between studs 13 1/4" - 24" (336-609mm) O.C. Mounting is suitable for new and remodel commercial or residential drywall construction. Designed to accommodate ceiling thickness from 1/2" (13mm) to 1 1/4" (32mm). Notch and label marking for laser alignment.
- Trim:** Die-cast and precision-machined aluminum 3.5" (89mm) trim. 1.3" (33mm) Pure edge (knife edge) aperture reduces glare at the trim. Flush trim mounts with a precision snap-fit into the plaster plate. Finished with white non-gloss powder-coat paint. Trim may be painted onsite to match ceiling finish.
- Snoot/Back Light Shield:** Machined aluminum snoot and die formed aluminum back shield controls internal spill light. The snoot carries the lamp, a soft focus lens (included) and two optional accessories. Relamp by pulling snoot, which is secured by 5 bullet catches.
- Electrical:** Standard toroidal magnetic transformer rated for 75W load at 120V 60Hz includes integral thermal protection and potting for noise reduction. Secondary output voltage is 11.8 volts. (Electronic USA & international versions: 120V, 230V, 277V). High temperature socket features pure nickel contacts. Total power consumed with load and transformer loss 40 watts 120 volts. Spring clip allows transformer to be easily removed.

Dimmer Type: Dimmer must be compatible with magnetic low-voltage transformers except for electronic USA & international voltage versions.
Label: ETL listed for damp location.
Weight: 18.75lbs (8.5kg)
Accessories: Lenses and individual components (see accessories page).



SNAP-FIT FLANGELESS TRIM



AURORA ORDERING CODE FOR COMPLETE FIXTURE:

120V Standard Magnetic:

Collection IC Housing Function Plaster Plate 1.3" Aperture Trim Finish

AH1 - ARE - RE1W

Aurora Accent Round
 Halogen Round Edge
 1 - MR16 1 - White

Electronic USA & International Versions:

Collection IC Housing Function Plaster Plate 1.3" Aperture Trim Finish

AH1-1 - ARE - RE1W

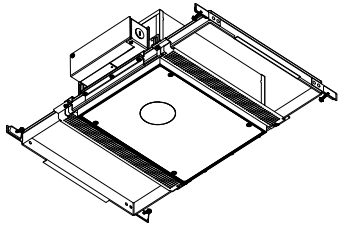
Aurora 1 - 120V 60HZ Accent Round Edge
 Halogen 2 - 230V 50HZ Round Edge
 1 - MR16 3 - 277V 60HZ 1 - White

COMPANY	FIXTURE TYPE	DATE
PROJECT	APPROVED BY	

Product specification subject to change without notification. REV. 03.22.16
 *Durabond® brand is a trademark of USG Corporation.

A Division of PureEdge Lighting 1718 W. Fullerton Chicago, IL 60614 • Ph: 773.770.1196 • Fax: 773.883.6128 • www.purelighting.com





AH1-ARE-RE1W
(Complete Fixture)

INDIVIDUAL COMPONENTS

120V Standard Magnetic IC Housing Part # **AH1** - 120V 60Hz

Electronic USA & International IC Housing Part # **AH1-1** - 120V 60Hz
AH1-2 - 230V 50Hz
AH1-3 - 277V 60Hz

Aurora Halogen Housing Only

Plaster Plate Part # **ARE**

Accent Round Edge Plaster Plate Only

Trim Part # **RE1W**

Round Edge 1.3" Aperture, White Trim Only

2" Lens Accessories

PART #	COLORS
--------	--------



Dichroic Lenses

- L16-RD** RED
- L16-AM** AMBER
- L16-YL** YELLOW
- L16-GR** GREEN
- L16-BL** BLUE
- L16-PH** PEACH
- L16-MG** MAGENTA
- L16-CY** CYAN
- L16-DB** DARK BLUE
- L16-DP** DARK PINK



Optical Lenses

- L16-F** FROST
- L16-SF** SOFT FOCUS
- L16-MD** MEDIUM DIFFUSER
- L16-WD** WIDE DIFFUSER
- L16-WDF** WIDE DIFFUSER FROSTED
- L16-LS** LINEAR SPREAD
- L16-LSF** LINEAR SPREAD FROSTED



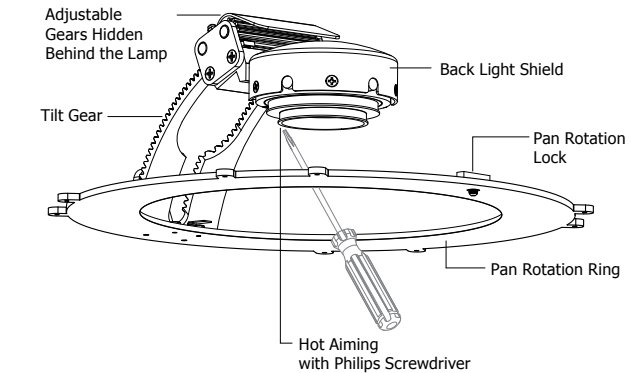
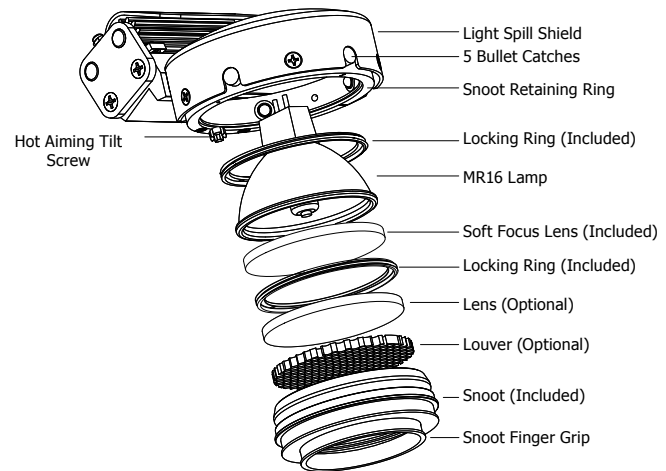
Hexcell Louver

- L016-H** HEXCELL LOUVER



U.V. Filter

- L16-UV** U.V. FILTER



A Division of PureEdge Lighting 1718 W. Fullerton Chicago, IL 60614 • Ph: 773.770.1196 • Ph: 773.883.6128 • Fax: 773.883.6128 • www.purelighting.com



COMPANY		FIXTURE TYPE		DATE	
PROJECT		APPROVED BY			