

# LOW-VOLTAGE PENDANTS

## Piper Pendant

### DESCRIPTION

Sleek cylinder shaped metal shade provides crisp down light. Includes low-voltage, 50 watt MR16 flood lamp or 8 watt replaceable 500 lumen 80 CRI 3000K LED SORAA® module and six feet of field-cutttable suspension cable. Works with SORAA.

### INSTALLATION

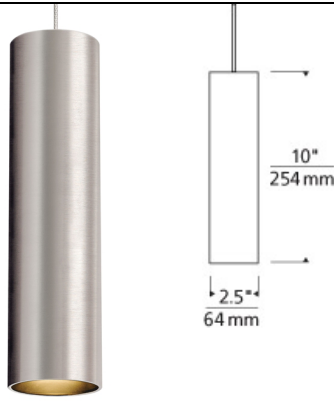
Socket terminates with FreeJack male connector, which may be installed into a system connector. Elements ordered with a system prefix include a connector for that system.

### ACCESSORIES & OPTICAL CONTROLS

SORAA® LED Bi-Pin Replacement Pendant Module, Swag Hook

### WEIGHT

2.5lb / 1.13kg ±



antique bronze



black



satin nickel



white

### ORDERING INFORMATION

700 SYSTEM	PPR	FINISH	LAMP
<b>FJ</b> FREEJACK		<b>ZZ</b> ANTIQUE BRONZE/ANTIQU BRONZE	12 VOLT HALOGEN
<b>MP</b> MONOPOINT		<b>BS</b> BLACK/SATIN NICKEL	<b>-LEDS830</b> 12 VOLT LED 80 CRI 3000K
<b>MO</b> MONORAIL		<b>SS</b> SATIN NICKEL/SATIN NICKEL	<b>-24</b> 24 VOLT HALOGEN
<b>MO2</b> TWO-CIRCUIT MONORAIL		<b>WS</b> WHITE/SATIN NICKEL	

Note: MP includes 4" Round Flush Canopy.



**TECH LIGHTING®**  
 7400 Linder Avenue T 847.410.4400  
 Skokie, Illinois 60077 F 847.410.4500  
**Tech Lighting, L.L.C.**

700 \_\_\_\_ PPR \_\_\_\_

FIXTURE TYPE: \_\_\_\_\_

JOB NAME: \_\_\_\_\_

NOTES: \_\_\_\_\_

\_\_\_\_\_

\_\_\_\_\_