

W A L L M O N O R A I L

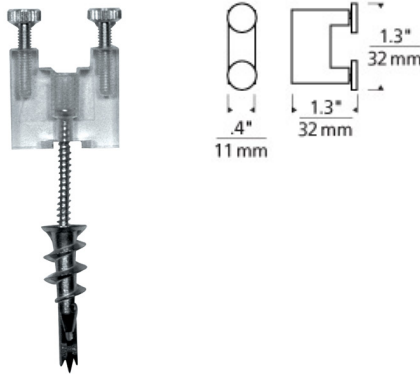
Wall MonoRail Standoff

DESCRIPTION

Special Wall MonoRail standoff positions rail 1" from the wall.
Order one for every three feet of run and at corners.

WEIGHT

0.1lb / 0.05kg ±



wall mono rail
standoff

ORDERING INFORMATION

700WMOS LENGTH (A)

FINISH

01 1"

Z ANTIQUE BRONZE
C CHROME
S SATIN NICKEL



TECH LIGHTING®

7400 Linder Avenue
Skokie, Illinois 60077

T 847.410.4400
F 847.410.4500

Tech Lighting, L.L.C.

700WMOS _____

FIXTURE TYPE: _____

JOB NAME: _____

NOTES: _____



©2016 Tech Lighting, L.L.C. All Rights Reserved. The "Tech Lighting" graphic is a registered trademark of Tech Lighting, L.L.C.
Tech Lighting reserves the right to change specifications for product improvements without notification.