

Union Large

600UNLS

1.4



GENERAL PRODUCT INFORMATION:



This product can mount to either a 4" square electrical box with round plaster ring or an octagon electrical box.

This product is suitable for indoor damp locations.

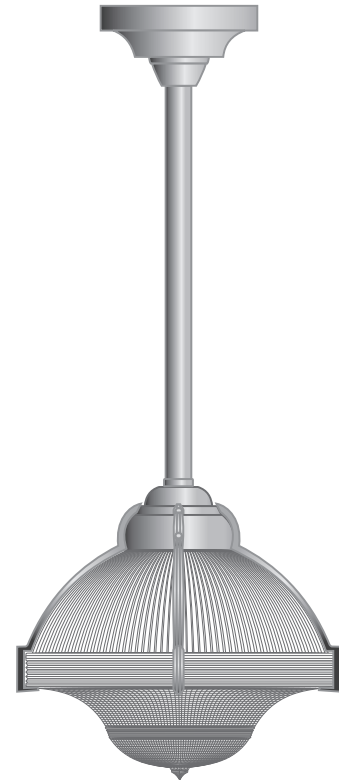
This product can be dimmed with a standard incandescent dimmer.

This instruction shows a typical installation.

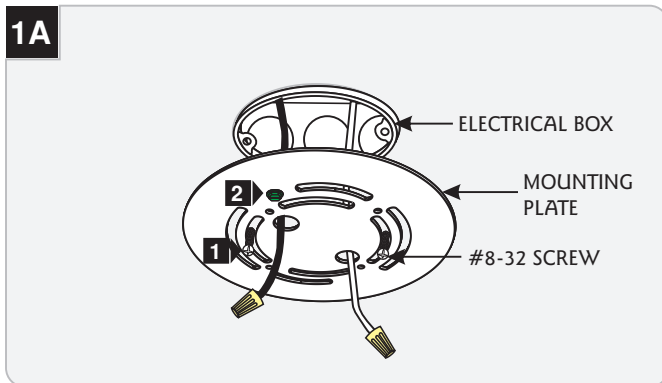
CAUTION - RISK OF FIRE

This product requires installation by a qualified electrician. Before installing be sure to read all instructions and **TURN THE POWER TO THE ELECTRICAL BOX OFF.**

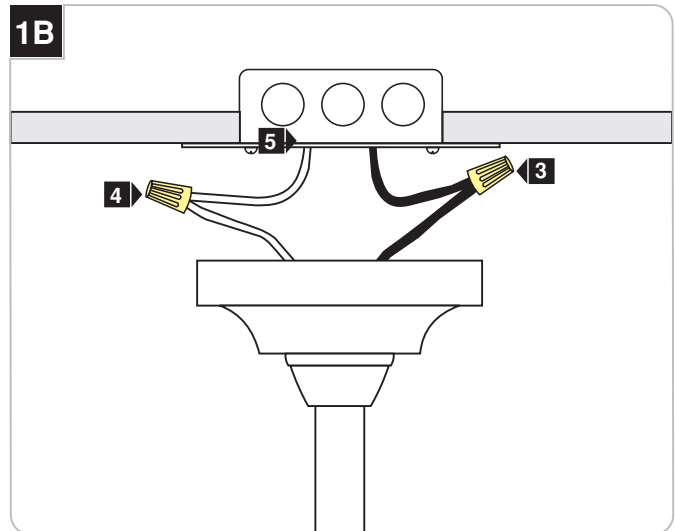
NOTE: When the "Industrial Hang Straight" is used with the suspension fixture, refer to the instructions provided with the "Industrial Hang Straight" before continuing the following steps.



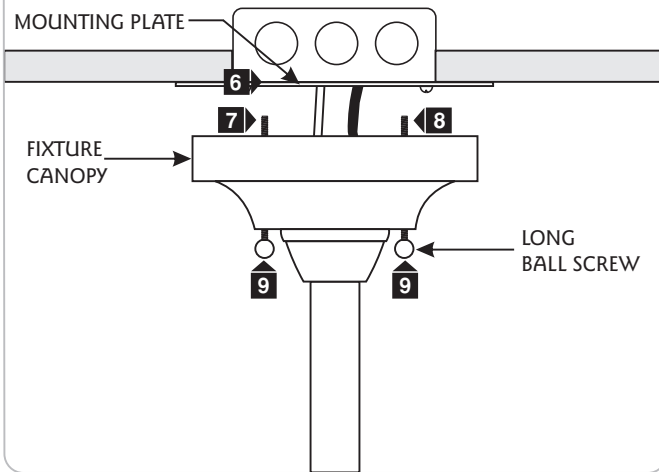
Install the Fixture



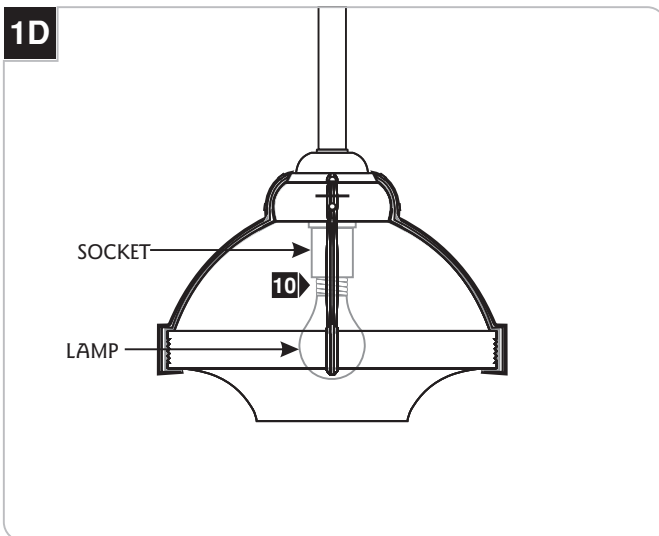
- 1 Install the mounting plate to the electrical box with the two #8-32 screws provided.
- 2 Make sure that the mounting plate is grounded in accordance with local electrical codes.



- 3 Connect the black fixture wire to the hot power line wire with a wire nut.
- 4 Connect the white fixture wire to the neutral power line wire with a wire nut.
- 5 Place all wires and wire nut connections inside the electrical box.

1C

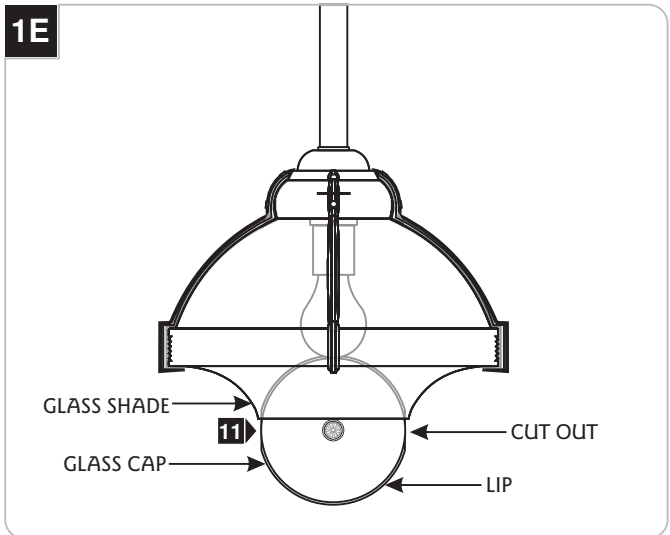
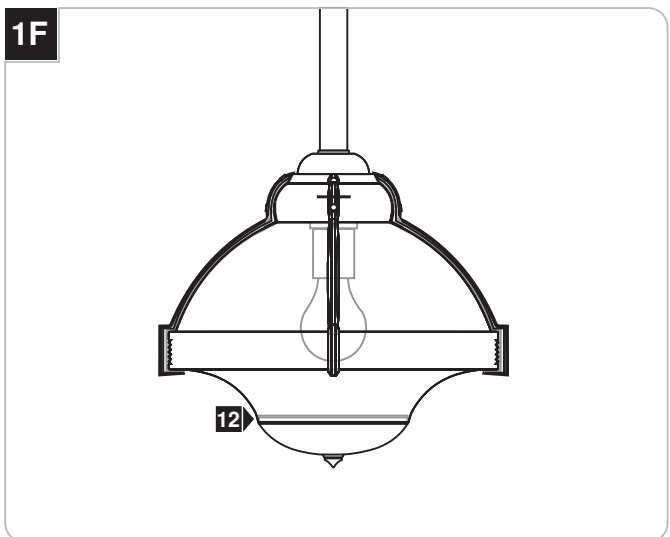
- 6** Locate two screw holes on the mounting plate that are 2-3/4" apart. These screw holes will be used to install the fixture canopy to the mounting plate.
- 7** Thread (**not completely**) a long ball screw through the canopy hole into one screw hole on the mounting plate.
- 8** Align and thread the second long ball screw through the other canopy hole into the other screw hole on the mounting plate.
- 9** Tighten the two long ball screws to secure the fixture in place.

1D

Use **MAX** 120 Volt, **100** Watt Type A19 Medium Base Lamp.



- 10** Screw the lamp completely into the socket.

1E**1F**

- 11** Align the cut out section of the glass cap with the glass shade and feed it through the glass shade opening.
- 12** Carefully rotate and rest the glass cap lip onto the glass shade.

NOTE: To replace the lamp, remove the glass cap by following figures 1F and 1E. Remove the old lamp and follow steps 10 through 12.

SAVE THESE INSTRUCTIONS!

WILMETTE LIGHTING
COMPANY

7400 Linder Ave, Skokie, IL 60077
847.410.4400

www.wilmettelighting.com

© 2008 Wilmette Lighting Company. All rights reserved. The "Wilmette Lighting Company" graphic is a registered trademark of Wilmette Lighting Company. Wilmette Lighting Company reserves the right to change specifications for product improvements without notification.

A Generation Brands Company