

# LINE - VOLTAGE PENDANTS / SUSPENSION

## Union Large Suspension



### DESCRIPTION

Dome-shaped three-part Holophane® prismatic glass diffuses light to reduce glare and enhance visual comfort. Provides general area light designed to evenly illuminate ceilings, walls, and floors. Incandescent includes 120 volt 100 watt or equivalent medium base, A19 lamp; fluorescent includes 32 watt GX24Q-3 base, triple tube lamp and electronic ballast. Fluorescent may also be lamped with 26 watt GX24Q-3 base, triple tube lamp. Incandescent version dimmable with standard incandescent dimmer. Suitable for damp locations.

### INSTALLATION

This product can mount to either a 4" square electrical box with round plaster ring or an octagonal electrical box (not included).

### ACCESSORIES & OPTICAL CONTROLS

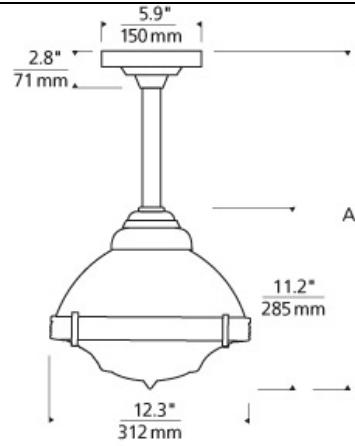
Industrial Hang Straight Accessory

### WEIGHT

13.2lb / 5.99kg ±



frost



frost

### ORDERING INFORMATION

600UNLS	LENGTH (A)	COLOR	FINISH	LAMP
24	24"	F FROST	Z ANTIQUE BRONZE	INCANDESCENT
36	36"		N POLISHED NICKEL	-CF COMPACT FLUORESCENT
48	48"		S SATIN NICKEL	



**TECH LIGHTING®**

7400 Linder Avenue  
Skokie, Illinois 60077

T 847.410.4400  
F 847.410.4500

Tech Lighting, L.L.C.

600UNLS \_\_\_\_\_

FIXTURE TYPE: \_\_\_\_\_

JOB NAME: \_\_\_\_\_

NOTES: \_\_\_\_\_

\_\_\_\_\_

\_\_\_\_\_



©2015 Tech Lighting, L.L.C. All Rights Reserved. The "Tech Lighting" graphic is a registered trademark of Tech Lighting, L.L.C. Tech Lighting reserves the right to change specifications for product improvements without notification.