



BATH COLLECTION

GENERAL PRODUCT INFORMATION:

This fixture are intended to be installed utilizing NEC compliant junction boxes.



Suitable for damp locations.

This product may be dimmed with a low-voltage electronic dimmer, TRIAC dimmer, or a 0-10V dimmer depending on the wiring configuration.

This product may be mounted horizontally or vertically.



CAUTION - RISK OF FIRE

This product must be installed in accordance with the applicable installation code by a person familiar with the construction and operation of the product and the hazards involved.

Use minimum 90°C supply conductors.

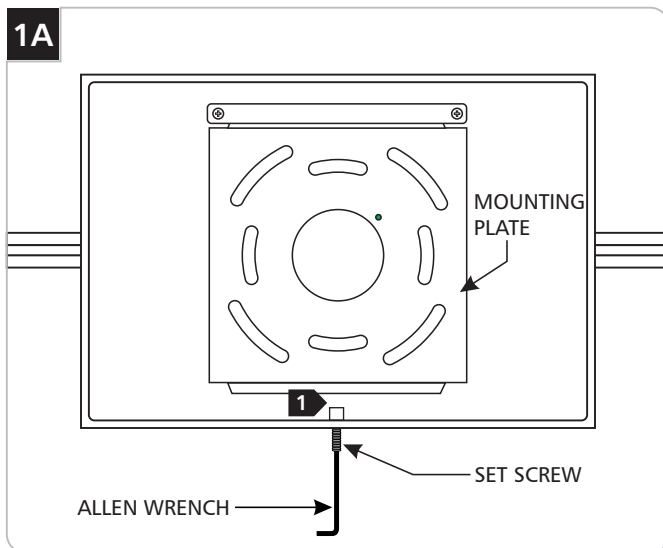
SAVE THESE INSTRUCTIONS!

WARNING: DO NOT REMOVE THE WHITE

ADHESIVE FILM from the top and sides of this fixture.

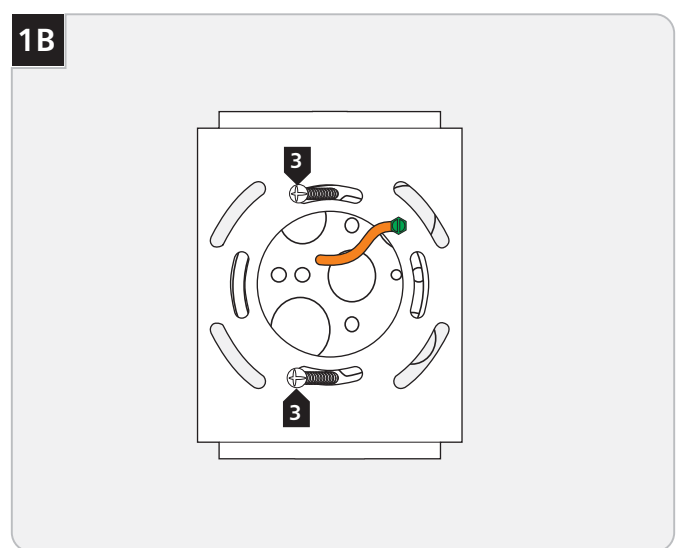
Only REMOVE THE CLEAR PROTECTIVE FILM which is located on the bottom of the fixture.

Install the Back Plate



1 With the Allen wrench provided, back out (do not fully remove) the set screw at the base of the fixture.

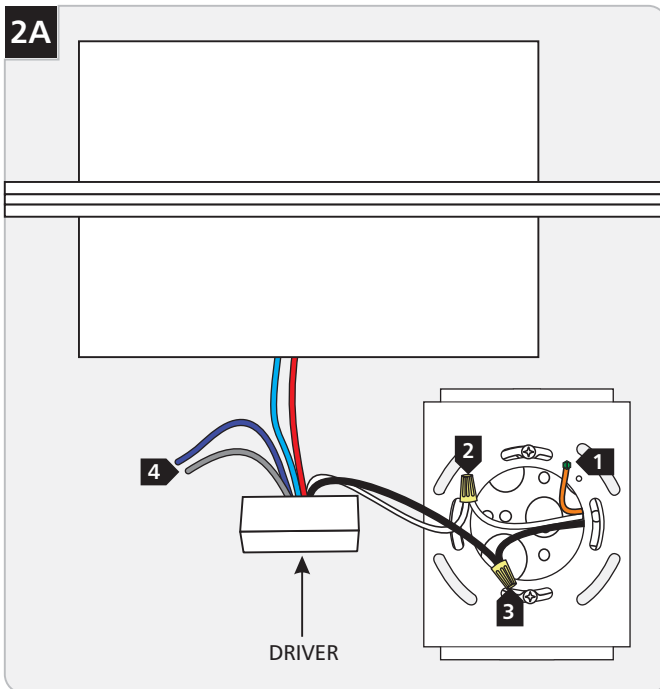
2 Remove the mounting plate from the back of the fixture.



3 Attach the mounting plate to the electrical box using the two provided #8-32 screws .

## Install the Fixture

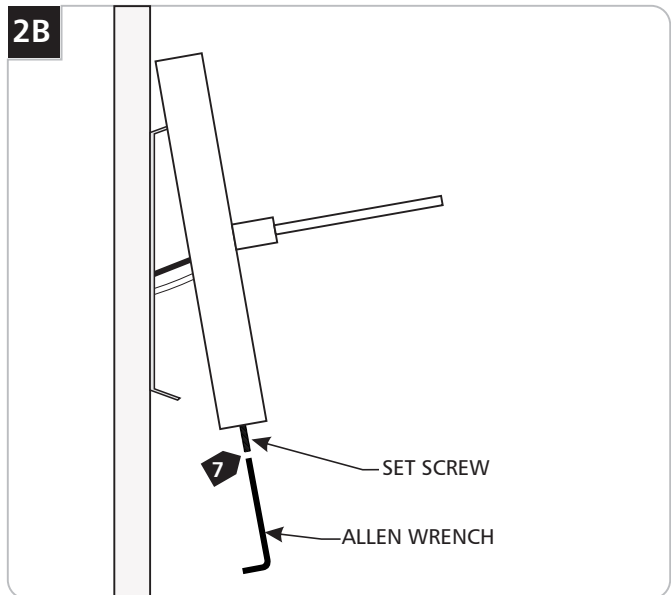
2A



- 1 Connect the backplate wire to a suitable ground in accordance with local electrical codes.
- 2 Connect the white driver wire to the neutral power line.
- 3 Connect the black driver wire to the hot power line.
- 4 Use the gray and purple dimming wires for 0-10v dimming application.

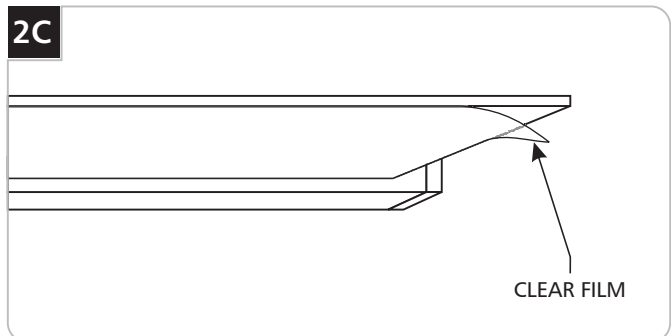
**NOTE:** The purple and gray wires are only used for 0-10v dimming. For all other applications, do not connect the gray and purple wires.

2B



- 5 Properly place the driver, all wires, and wire nut connections into the canopy.
- 6 Hook the top of the fixture to the top of the mounting plate and swing the bottom of the fixture toward the plate until it is flush with the wall.
- 7 Tighten the set screw at the bottom of the fixture.

2C



**WARNING: DO NOT REMOVE THE WHITE ADHESIVE FILM** from the top and sides of this fixture. Only **REMOVE THE CLEAR PROTECTIVE FILM** which is located on the bottom of the fixture.

- 8 Remove only the **CLEAR** protective film.



**TECH LIGHTING®**

7400 Linder Ave, Skokie, IL 60077

847.410.4400

[www.techlighting.com](http://www.techlighting.com)

© 2015 Tech Lighting, L.L.C. All rights reserved. The "Tech Lighting" graphic is a registered trademark of Tech Lighting, L.L.C. Tech Lighting reserves the right to change specifications for product improvements without notification.

A Generation Brands Company