



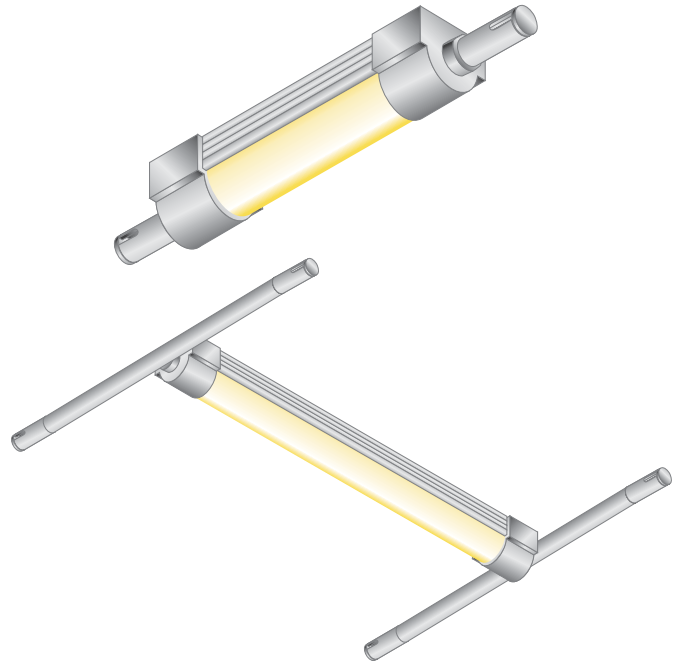
HEADS-LOW VOLTAGE

GENERAL PRODUCT INFORMATION:

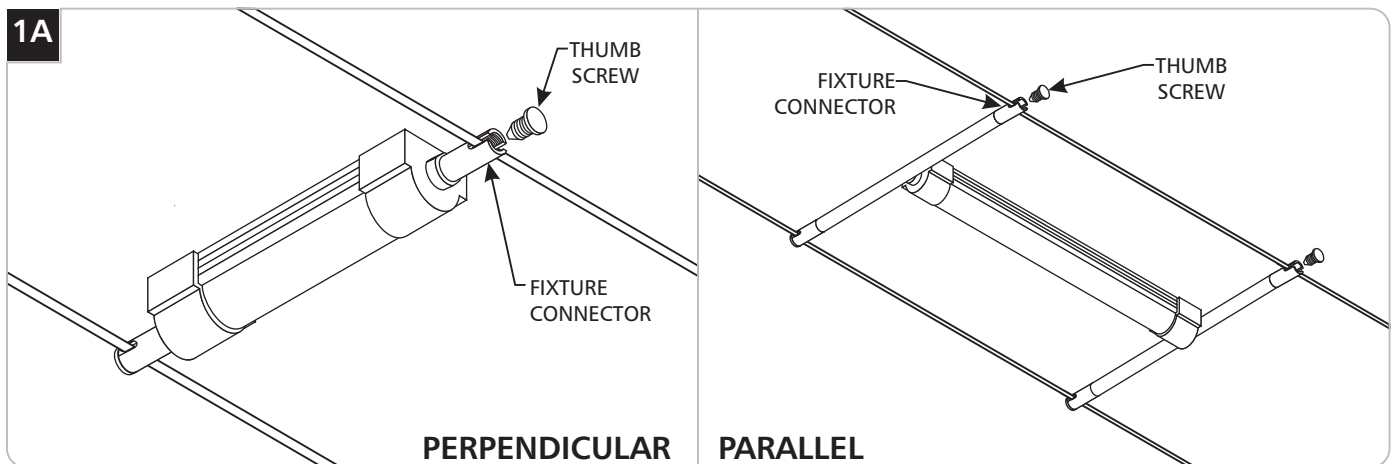


This product is suitable for indoor dry locations only.

This product should be used with Tech Lighting Kable Lite system only.



Installing the Fixture



- 1 Remove the thumb screw from the fixture connectors.
- 2 Place the fixture between the Kables and push the fixture connectors onto the Kable Lite cables.
- 3 Screw the thumb screws into the fixture connectors. Make sure the thumb screw connection is tight to avoid heat build up and corrosion which may cause an electrical open circuit.

SAVE THESE INSTRUCTIONS!



TECH LIGHTING®

7400 Linder Ave, Skokie, IL 60077

847.410.4400

www.techlighting.com

© 2014 Tech Lighting, L.L.C. All rights reserved. The "Tech Lighting" graphic is a registered trademark of Tech Lighting, L.L.C. Tech Lighting reserves the right to change specifications for product improvements without notification.

A Generation Brands Company