

# Clark Ceiling

600CLKC

1.3



## GENERAL PRODUCT INFORMATION:



This product can mount to either a 4" square electrical box with round plaster ring or an octagon electrical box.

This product is suitable for damp locations.

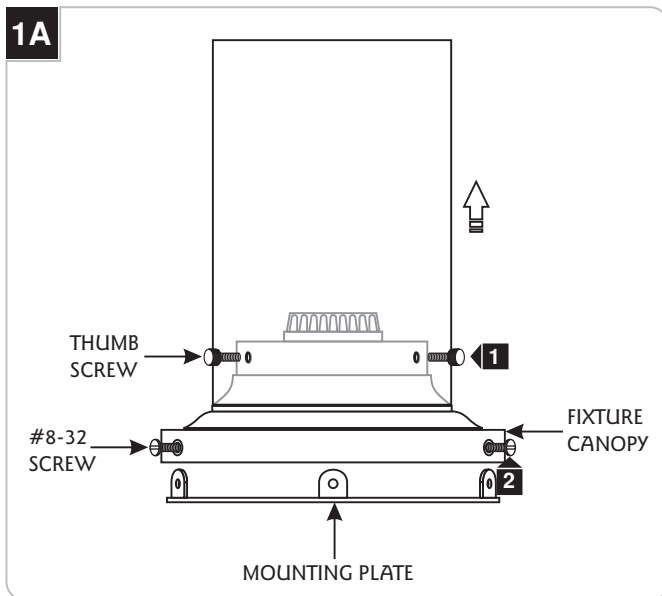
This product can be dimmed with a standard incandescent dimmer.



### CAUTION - RISK OF FIRE

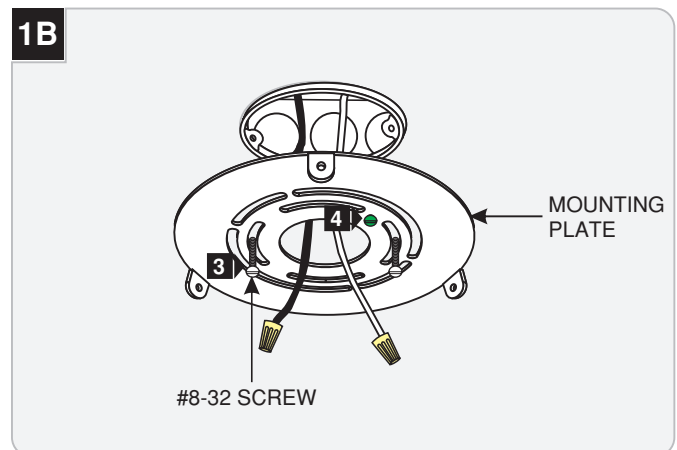
This product requires installation by a qualified electrician. Before installing be sure to read all instructions and **TURN THE POWER TO THE ELECTRICAL BOX OFF.**

## Install the Fixture

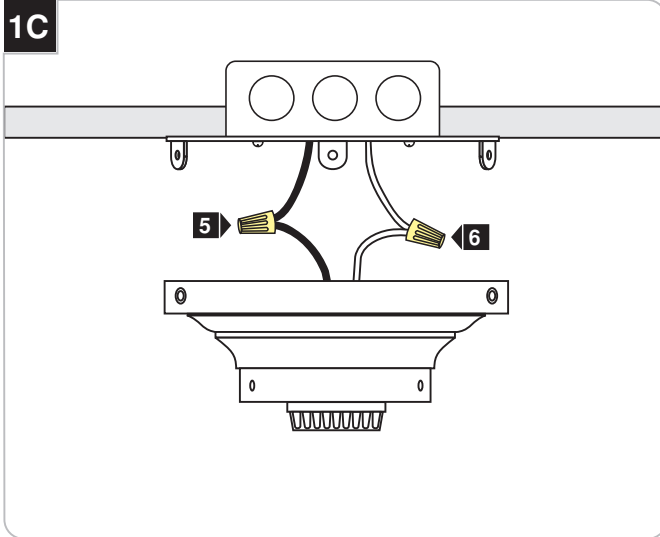


**NOTE:** It is recommended to remove the glass shade from the fixture base to avoid breaking it during the installation.

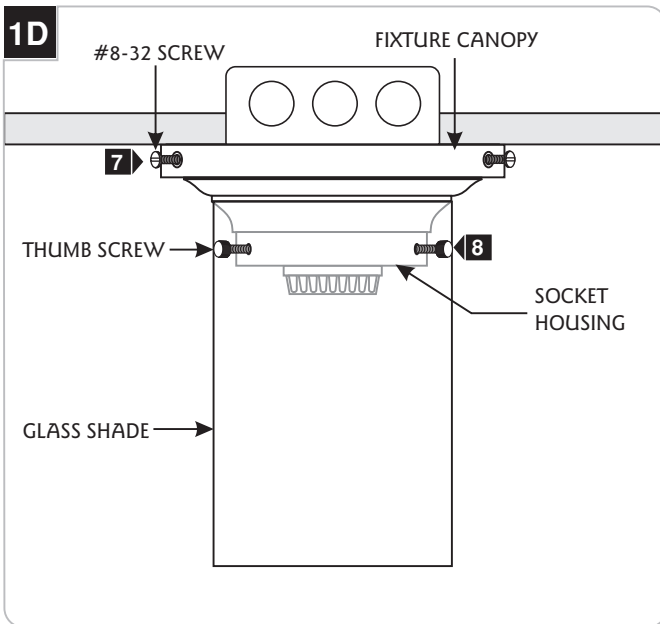
- 1 While supporting the glass shade, remove the three thumb screws. Carefully remove the glass shade.
- 2 Remove the three #8-32 screws on the fixture canopy to remove the mounting plate.



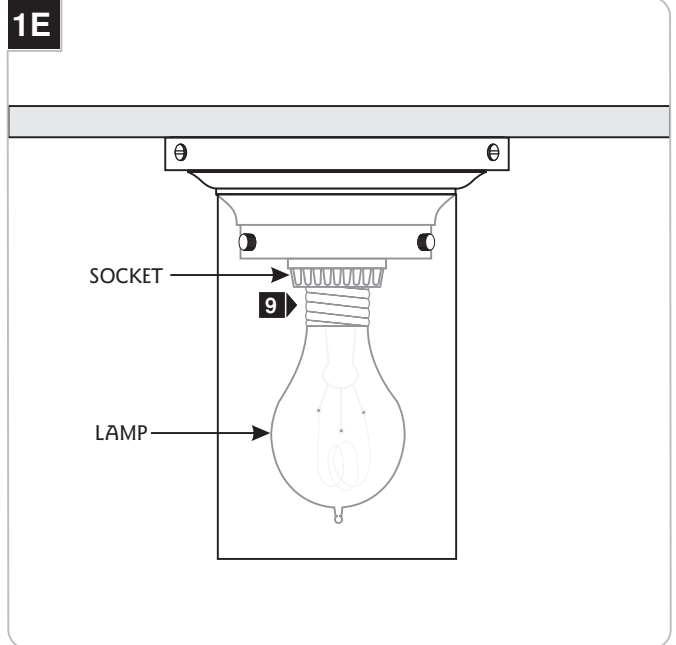
- 3 Line up two mounting plate slots with the two electrical box holes and secure it to the electrical box with the two #8-32 screws.
- 4 Make sure that the mounting plate is grounded in accordance with local electrical codes.




- 5 Connect the black fixture wire to the hot power line wire with a wire nut.
- 6 Connect the white fixture wire to the neutral power line wire with a wire nut.



- 7 Line up the fixture canopy holes with the mounting plate holes. Replace and tighten the three #8-32 screws.
- 8 Line up the glass shade holes with the socket housing holes. While supporting the glass shade in place, replace and tighten the three thumb screws.



Use **MAX** 120 Volt, **40** Watt Classical Edison Style (A19) Medium Base Lamp. 

- 9 Screw the lamp completely into the socket.

**SAVE THESE INSTRUCTIONS!**

WILMETTE LIGHTING  
COMPANY 

7400 Linder Ave, Skokie, IL 60077  
847.410.4400

[www.wilmettelighting.com](http://www.wilmettelighting.com)

© 2008 Wilmette Lighting Company. All rights reserved. The "Wilmette Lighting Company" graphic is a registered trademark of Wilmette Lighting Company. Wilmette Lighting Company reserves the right to change specifications for product improvements without notification.

A Generation Brands Company