

LINE-VOLTAGE PENDANTS/SUSPENSION

Fire Grande Pendant

DESCRIPTION

Rich translucent glass surrounds a frost glass diffuser. Black, satin nickel, and white finish options highlighted with a satin nickel detail and clear cable; antique bronze finish includes antique bronze detail and brown cable. Includes 120 volt, 40 watt G9 base halogen lamp or 26 watt GX24Q-3 base triple tube compact fluorescent lamp (electronic ballast included). May also be lamped with 32 watt GX24Q-3 base triple tube compact fluorescent lamp (not included). Fixture provided with six feet of field-cutable cable. Incandescent version dimmable with standard incandescent dimmer.

INSTALLATION

This product can mount to either a 4" square electrical box with round plaster ring or an octagon electrical box.

OTHER

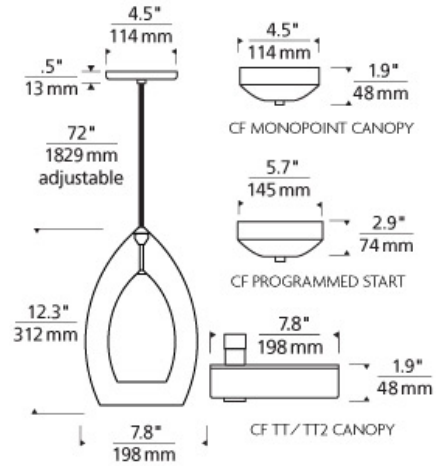
TD includes 4.5" Round Canopy.
Antique Bronze and Black Finish Only Available on TD.

WEIGHT

3.56lb / 1.61kg ±



steel blue



ORDERING INFORMATION

700 SYSTEM	FIRGP	COLOR	FINISH	LAMP
TD	LINE-VOLTAGE PENDANTS/SUSPENSION	A AMBER	Z ANTIQUE BRONZE	INCANDESCENT 120V
TT	SINGLE-CIRCUIT T-TRAK	C CLEAR	B BLACK	-CF COMPACT FLUORESCENT 120V
TT2	TWO-CIRCUIT T-TRAK	N HAVANA BROWN	S SATIN NICKEL	-PSUNV COMPACT FLUORESCENT PROGRAMMED START 120V-277V
		K SMOKE	W WHITE	
		U STEEL BLUE		

For use on Halo*, Juno* or Lightolier* 120 volt single-circuit track, order as follows:

Incandescent: Order pendant as **700TD** and order appropriate [120V Track Adapter](#)

Compact Fluorescent: Substitute 700TD with one of the following: **700TH** (fits Halo*), **700TJ** (fits Juno*) or **700TI** (fits Lightolier*) and by substituting the finish with one of the following: **BZ** (Black/Antique Bronze), **BS** (Black/Satin Nickel), **WZ** (White/Antique Bronze) or **WS** (White/Satin Nickel).

*Tech Lighting is not affiliated, nor is it endorsed by any of the companies listed nor does Tech Lighting distribute any of their products.



700 ____	FIRGP ____
FIXTURE TYPE:	_____
JOB NAME:	_____
NOTES:	_____



©2015 Tech Lighting, L.L.C. All Rights Reserved. The "Tech Lighting" graphic is a registered trademark of Tech Lighting, L.L.C. Tech Lighting reserves the right to change specifications for product improvements without notification.