

Baxter (Compact Fluorescent)

700FMBXT_-CF

1.0

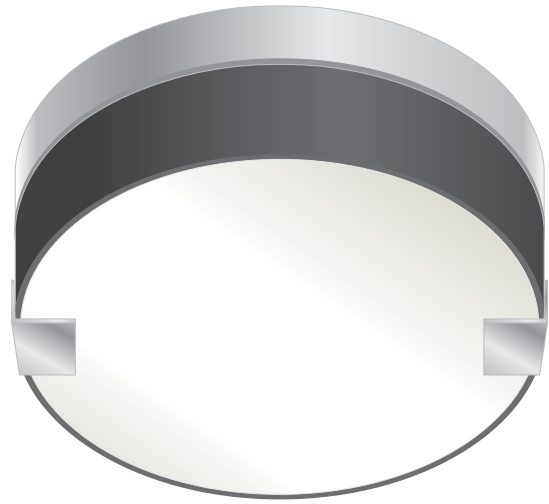


CEILING

GENERAL PRODUCT INFORMATION:



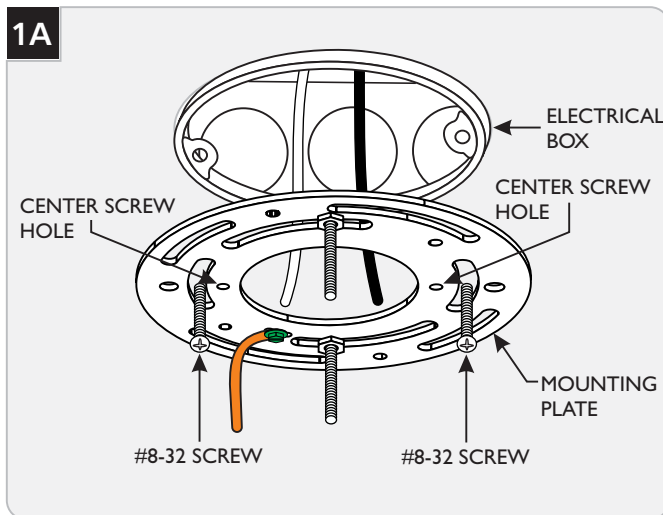
This product is suitable for damp locations.



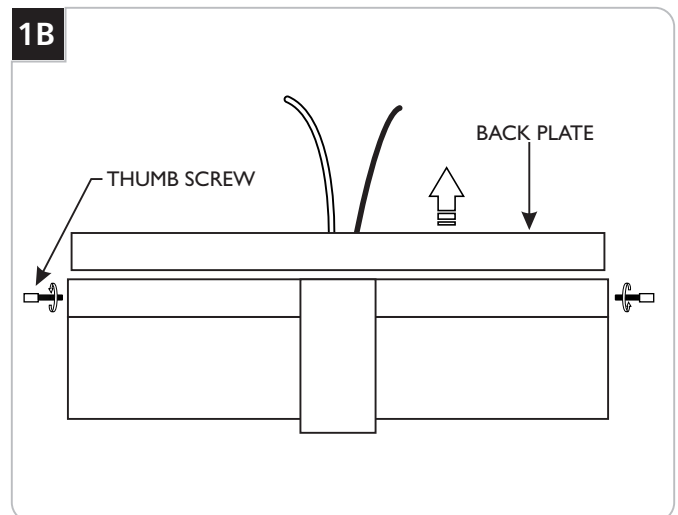
CAUTION — RISK OF FIRE

This product requires installation by a qualified electrician. Before installing be sure to read all instructions and **TURN THE POWER TO THE ELECTRICAL BOX OFF.**

Install the Fixture



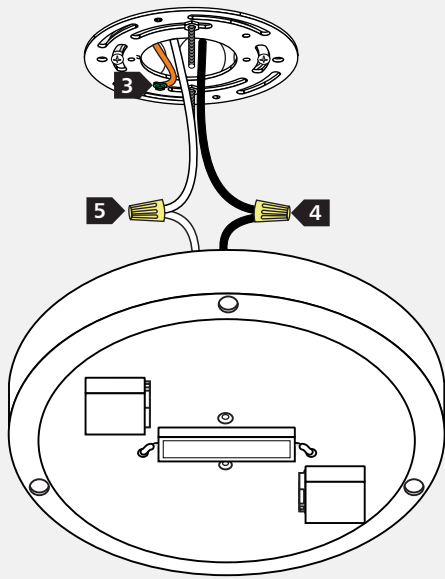
- 1 Align the two center screw holes to a wall and secure the mounting plate to the electrical box with the two #8-32 screws provided.



- 2 Separate the back plate from the fixture by unscrewing and removing the two thumb screw.

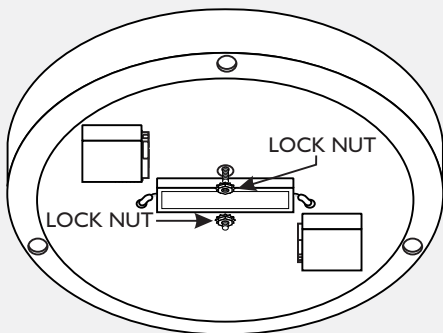
Install the Fixture

1C



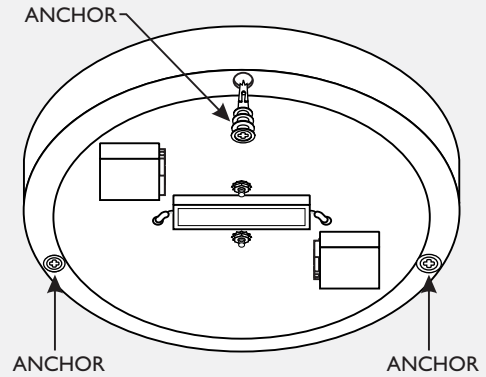
- 3 Connect the fixture to a suitable ground in accordance with local electrical codes.
- 4 Connect the black fixture wire to the hot power line wire with a wire nut.
- 5 Connect the white fixture wire to the neutral power line wire with a wire nut.

1D



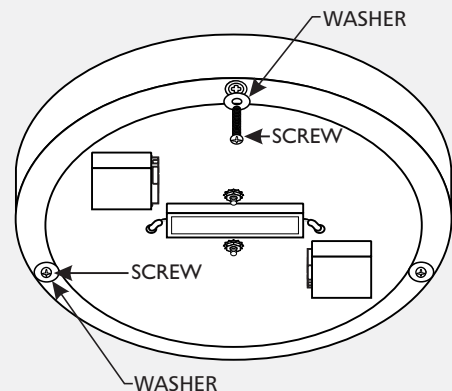
- 6 Mount the fixture base to the ceiling by installing it onto the mounting plate and securing it tightly with the provided locknuts.

1E



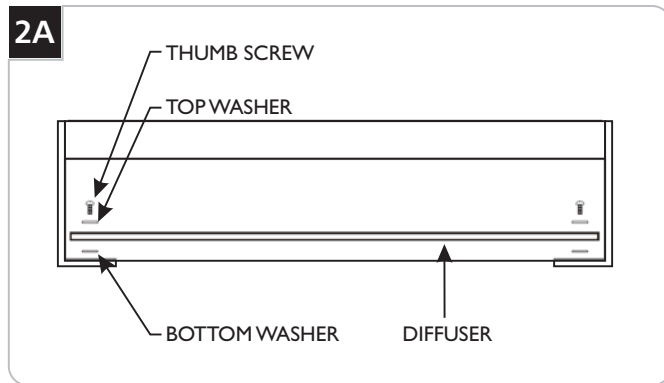
- 7 Place all wire and wire nut connections inside the electrical box.
- 8 Line up an anchor tip with the center a mounting plate hole, and push the anchor into the wall up to the threads.
- 9 Screw the anchors in the rest of the way with a Phillips-head screwdriver.
- 10 Repeat steps 7-9 for all three anchors.

1F



- 11 Slide a #8 screw through a washer and screw it into an anchor.
- 12 Repeat for all three anchors to secure the mounting plate to the ceiling.

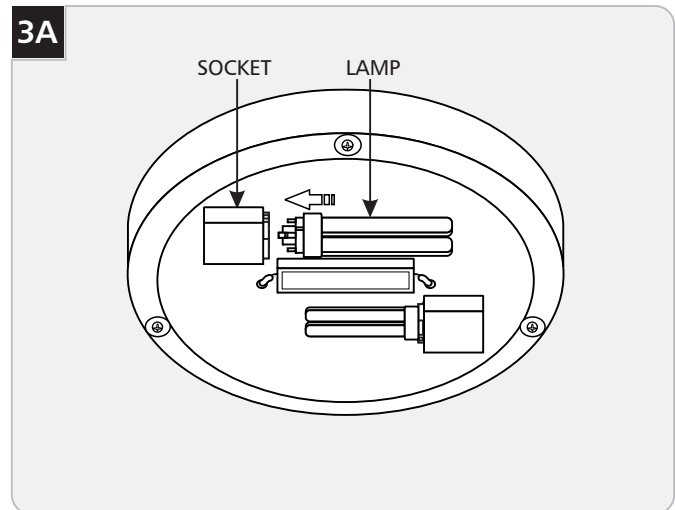
Install the Diffuser



CAUTION: Do not over tighten the diffuser screws. Over-tightening may break the glass and result in injury. Ensure that all the washers are properly in place.

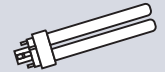
- 1** Unscrew and remove the diffuser screws and washers.
- 2** Place the a washer onto the screw and feed it into one of the glass holes.
- 3** Place another washer onto the screw on the bottom of the diffuser.
- 4** Repeat for all the diffuser screws and **GENTLY** place the assembly on to the metal frame.
- 5** Secure the diffuser by tightening all the screws.

Install the Lamp and Re-Assemble

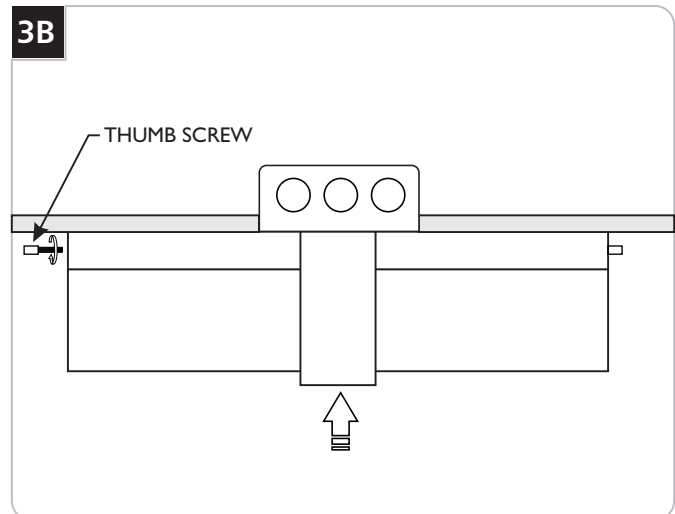


CAUTION: To reduce the risk of a burn or electric shock during lamping and re-lamping, disconnect the power to the fixture.

Use **MAX 26** Watt Type Quad Tube G24Q-3 Base Compact Fluorescent Lamp.



- 1** Push the lamp base completely into the sockets.



- 2** Re-install the fixture to the backplate and secure it tightly with the two thumb screws.

NOTE: To replace the lamps, reverse the section 2 instructions.

SAVE THESE INSTRUCTIONS!



7400 Linder Ave, Skokie, IL 60077
847.410.4400

www.techlighting.com

© 2012 Tech Lighting, L.L.C. All rights reserved. The "Tech Lighting" graphic is a registered trademark of Tech Lighting, L.L.C. Tech Lighting reserves the right to change specifications for product improvements without notification.

A Generation Brands Company