



GENERAL PRODUCT INFORMATION:



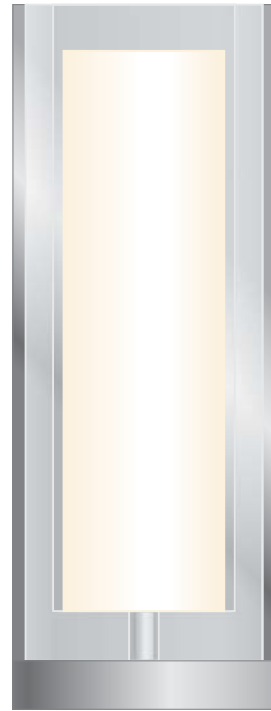
This product is suitable for damp locations.

This product can mount either to a 4" square electrical box with a round plaster ring or an octagon electrical box.

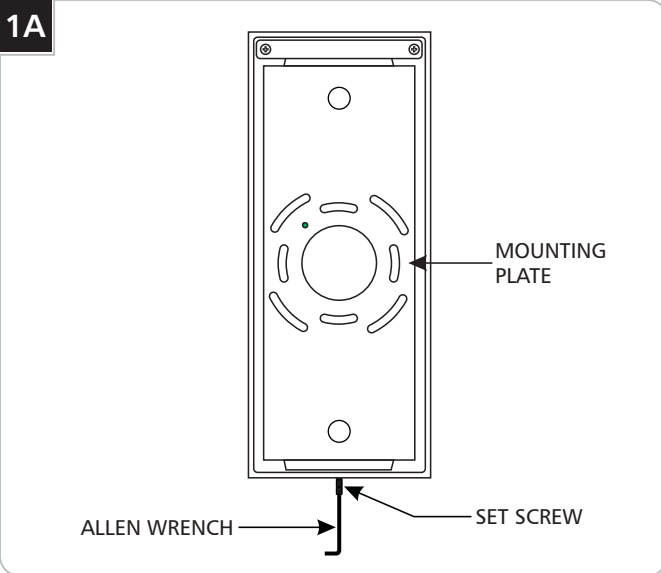
This instruction shows a typical installation.

CAUTION—RISK OF FIRE

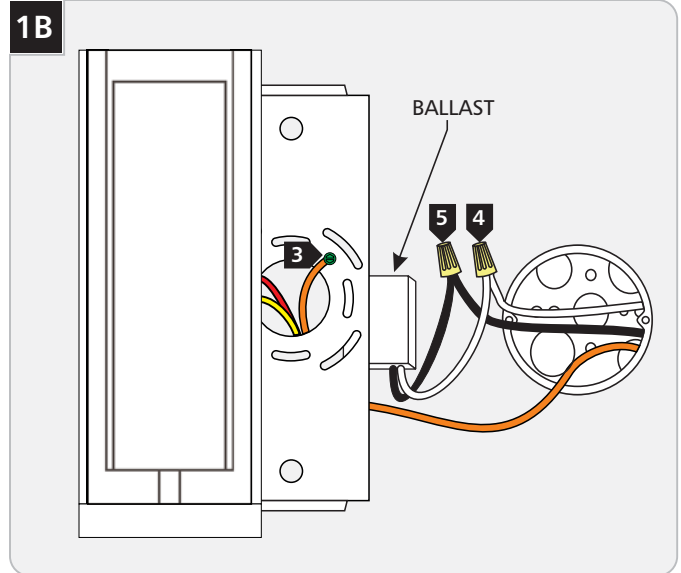
This product requires installation by a qualified electrician. Before installing be sure to read all instructions and DISCONNECT POWER TO THE ELECTRICAL BOX.



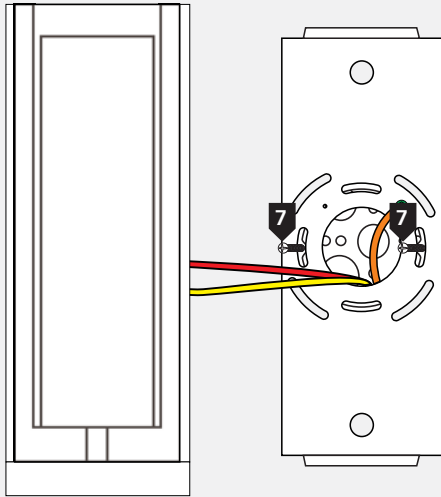
Install the Fixture



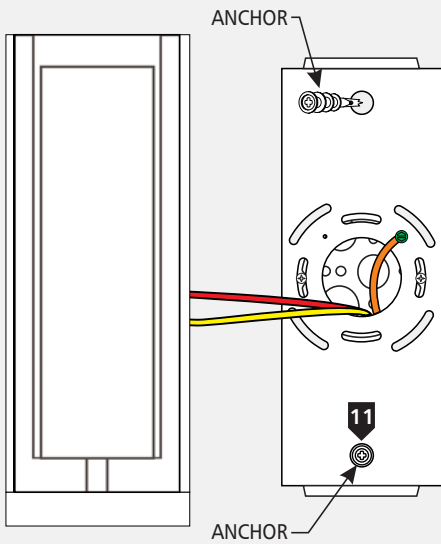
- 1 With the Allen wrench provided, back out (do not fully remove) the set screw at the base of the fixture.
- 2 Remove the mounting plate from the back of the fixture.



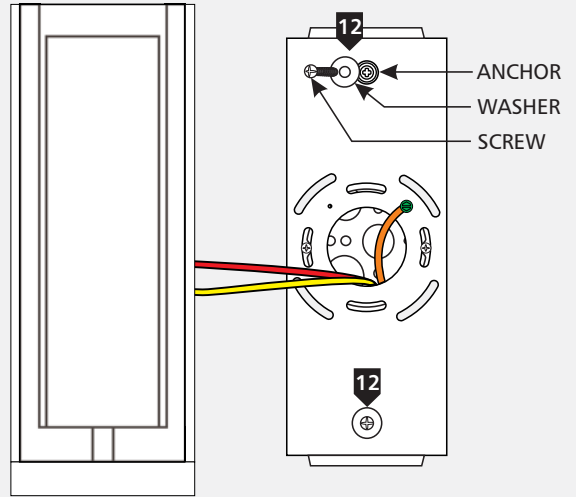
- 3 Connect the mounting plate ground wire to a suitable ground according to local electrical codes.
- 4 Connect the white ballast wire to the neutral power line wire with a wire nut.
- 5 Connect the black ballast wire to the hot power line wire with a wire nut.

1C

- 6** Properly place all wires, wire nut connections, and the ballast inside the electrical box.
- 7** Level the mounting plate and secure it to the electrical box with the two #8-32 screws provided.

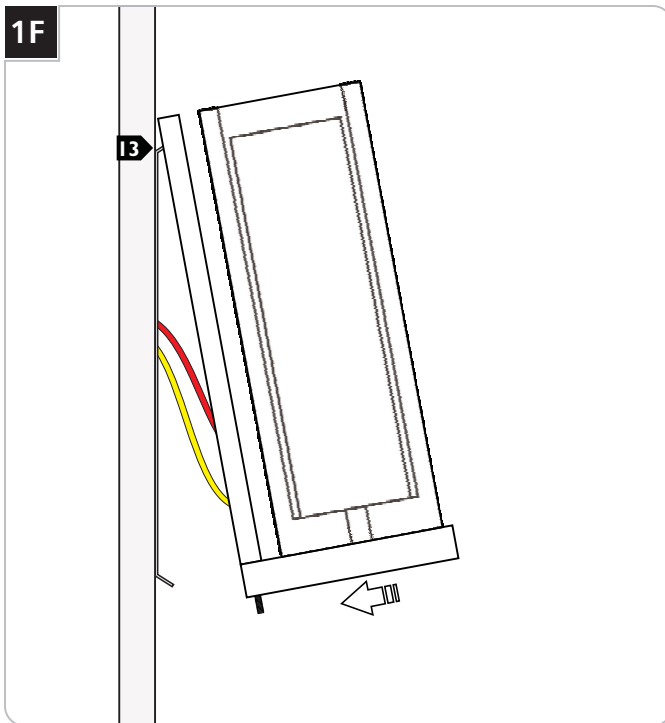
1D

- 8** Verify that the mounting plate is level before continuing.
- 9** Line an anchor tip with the center of an anchor hole, and push the anchor into the wall up to the threads.
- 10** Screw the anchor in the rest of the way with a Phillips-head screwdriver.
- 11** Repeat for the other anchor hole.

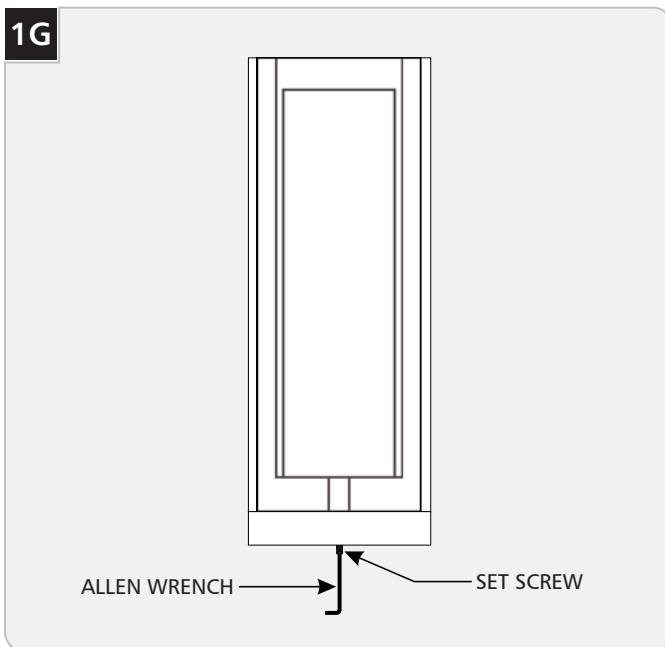
1E

- 12** Slide a #8 screw through a washer, and screw it into an anchor to secure the fixture base to the wall. Repeat for the other anchor.

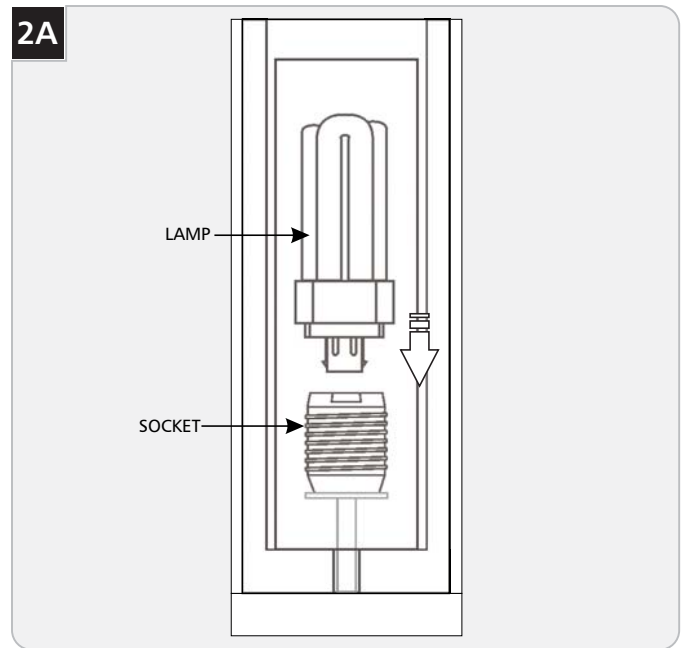
Install the Lamp



- 13** Hook the top of the fixture to the top of the mounting plate and swing the bottom of the fixture toward the plate until it is flush with the wall.

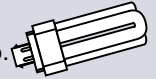


- 14** With the allen wrench, tighten the set screw at the bottom of the fixture to secure it to the mounting plate.



CAUTION: To reduce the risk of a burn or electric shock during relamping, disconnect the power to the fixture.

Use **MAX** 32 Watt GX24Q-3 Base Triple Tube Compact Fluorescent Lamp.



- 1** Push the lamp base into the socket.

SAVE THESE INSTRUCTIONS!



7400 Linder Ave, Skokie, IL 60077
847.410.4400

www.techlighting.com

© 2012 Tech Lighting, L.L.C. All rights reserved. The "Tech Lighting" graphic is a registered trademark of Tech Lighting, L.L.C. Tech Lighting reserves the right to change specifications for product improvements without notification.
A Generation Brands Company