

# LINE-VOLTAGE PENDANTS/SUSPENSION

## Sara Grande Pendant

### DESCRIPTION

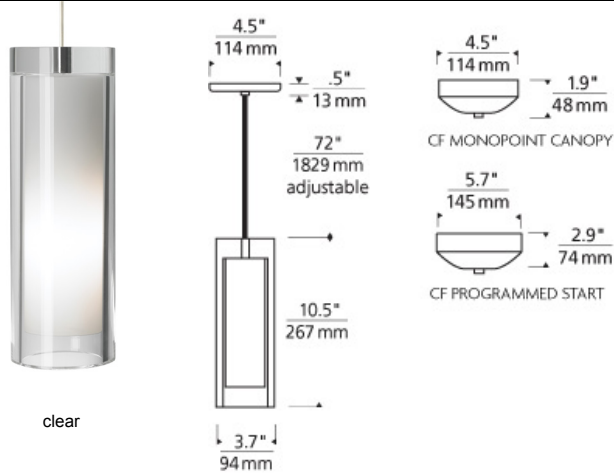
Pure indulgence, the Sara Grande is cut from a solid block of crystal and formed into an elegant cylinder which surrounds a hand-blown inner white glass diffuser. Instantly elevates any space. Black, satin nickel, with antique bronze detail and brown cable. Includes 120 volt, 60 watt or equivalent medium base BT15 lamp or 26 watt GX24Q-3 base triple tube compact fluorescent lamp (electronic ballast included). May also be lamped with GX24Q-3 base 32 watt triple tube compact fluorescent lamp (not included). Fixture is provided with six feet of field-cuttable cable. Incandescent version dimmable with standard incandescent dimmer.

### INSTALLATION

This product can mount to either a 4" square electrical box with round plaster ring or an octagon electrical box.

### WEIGHT

5.62lb / 2.55kg ±



clear



clear

### ORDERING INFORMATION

700 SYSTEM	SARGP	COLOR	FINISH	LAMP
TD	LINE-VOLTAGE PENDANTS/SUSPENSION	C CLEAR	Z ANTIQUE BRONZE B BLACK S SATIN NICKEL W WHITE	INCANDESCENT 120V -CF COMPACT FLUORESCENT 120V -CF277 COMPACT FLUORESCENT 277V -PSUNV COMPACT FLUORESCENT PROGRAMMED START 120V-277V



**TECH LIGHTING®**  
 7400 Linder Avenue T 847.410.4400  
 Skokie, Illinois 60077 F 847.410.4500  
**Tech Lighting, L.L.C.**

700 \_\_\_\_ SARGP \_\_\_\_\_

FIXTURE TYPE: \_\_\_\_\_

JOB NAME: \_\_\_\_\_

NOTES: \_\_\_\_\_

\_\_\_\_\_

\_\_\_\_\_



©2015 Tech Lighting, L.L.C. All Rights Reserved. The "Tech Lighting" graphic is a registered trademark of Tech Lighting, L.L.C. Tech Lighting reserves the right to change specifications for product improvements without notification.