

LOW-VOLTAGE PENDANTS

Mini Echo Pendant

DESCRIPTION

Translucent cylinder over a white case glass cylinder, highlighted with three metal details. Includes low-voltage, 50 watt halogen bi-pin lamp or 8 watt replaceable 500 lumen 80 CRI 3000K LED SORAAA® module and six feet of field-cutttable suspension cable.

INSTALLATION

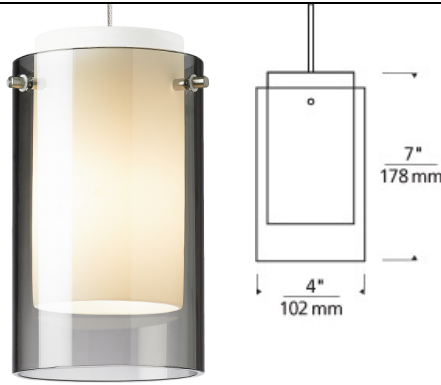
Socket terminates with FreeJack male connector, which may be installed into a system connector. Elements ordered with a system prefix include a connector for that system.

ACCESSORIES & OPTICAL CONTROLS

Swag Hook

WEIGHT

1.3lb / 0.59kg ±



smoke



amber

aquamarine

clear

havana brown

smoke

steel blue

ORDERING INFORMATION

700	SYSTEM	ECP	COLOR	FINISH	LAMP
FJ	FREEJACK		A AMBER	Z ANTIQUE BRONZE	12 VOLT HALOGEN
MP	MONOPOINT		Q AQUAMARINE	C CHROME	-LEDS830 12 VOLT LED 80 CRI 3000K
MO	MONORAIL		C CLEAR	S SATIN NICKEL	-24 24 VOLT HALOGEN
MO2	TWO-CIRCUIT MONORAIL		B HAVANA BROWN		
			S SMOKE		
			U STEEL BLUE		

Note: MP includes 4" Round Flush Canopy. Note: MP includes 4 Round Flush Canopy.

When installing LED option on MO2 only magnetic transformers may be used.



7400 Linder Avenue
Skokie, Illinois 60077

T 847.410.4400
F 847.410.4500

Tech Lighting, L.L.C.

700 ____ ECP ____

FIXTURE TYPE: _____

JOB NAME: _____

NOTES: _____



©2015 Tech Lighting, L.L.C. All Rights Reserved. The "Tech Lighting" graphic is a registered trademark of Tech Lighting, L.L.C. Tech Lighting reserves the right to change specifications for product improvements without notification.