

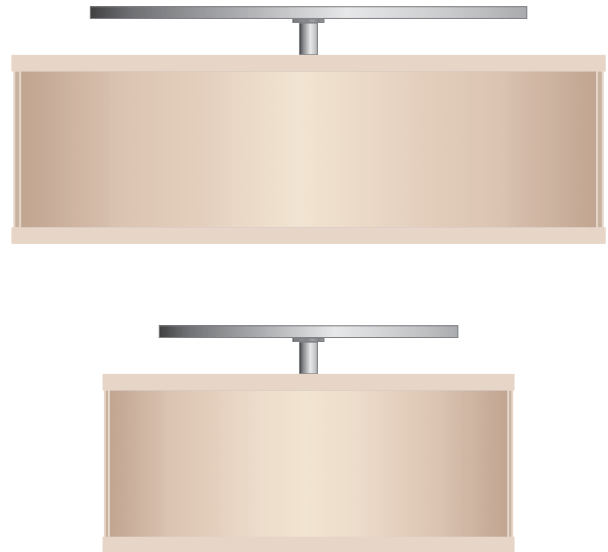


**GENERAL PRODUCT INFORMATION:**

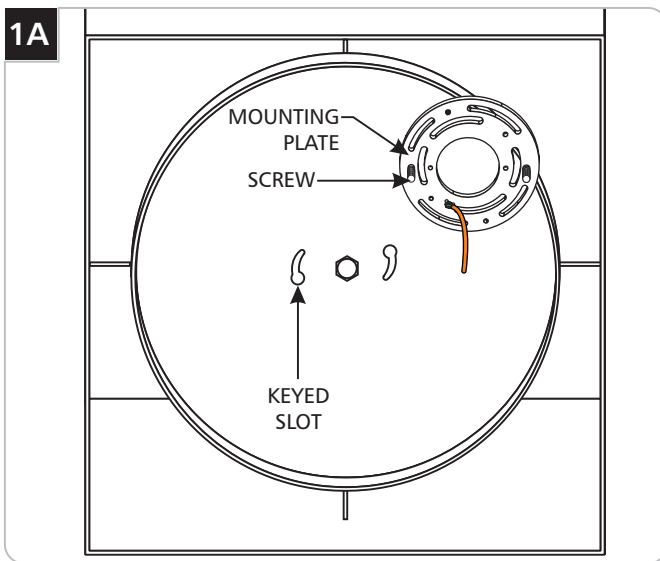
This product is suitable for damp locations.

This product can be dimmed with a low voltage electronic dimmer.

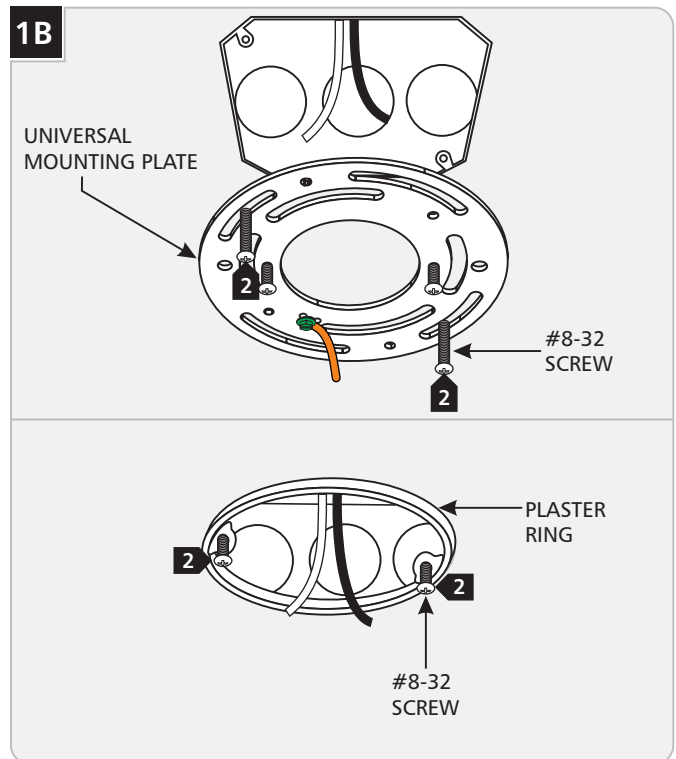
This instruction shows a typical installation.



**Installing the Fixture**

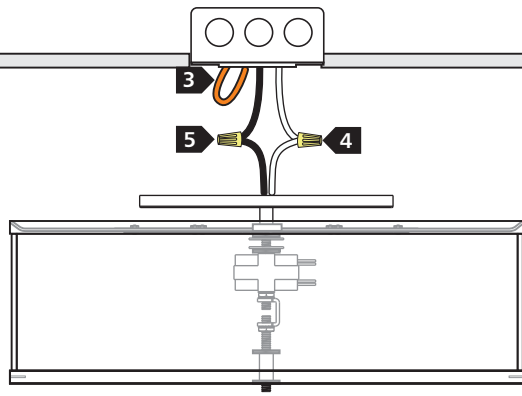


**1** Remove the mounting plate from the top of the fixture base by rotating the screw heads out of the keyed slots.



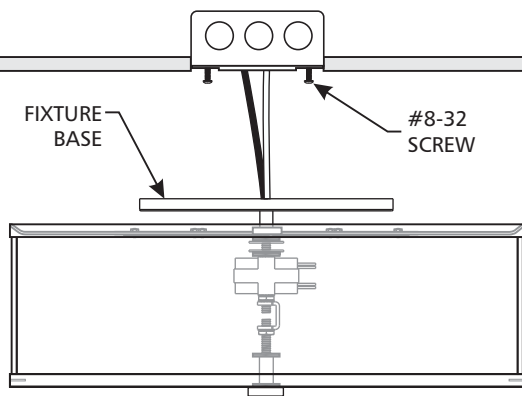
**2** Depending on the electrical box, use one of the following methods to install the #8-32 screws:

- Install the mounting plate to the electrical box with the provided two #8-32 screws.
- Install the provided two #8-32 screws directly to the plaster ring leaving enough thread exposed for fixture installation.

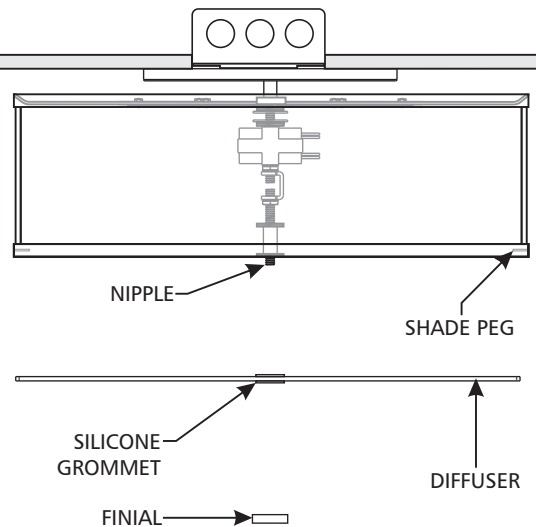
**1C**

**NOTE:** It is recommended that one person hold the fixture while the electrician connects the power and installs the fixture.

- 3** Make sure the fixture is grounded in accordance with local electrical codes.
- 4** Connect the fixture white wire to the neutral power line wire with a wire nut.
- 5** Connect the fixture black wire to the hot power line wire with a wire nut.

**1D**

- 6** Properly place the wires and wire nut connections into the electrical box.
- 7** Insert the heads of the two exposed #8-32 screws into the large portion of the keyed slots on the fixture base, rotate the fixture base to the narrow portion of the keyed slots, and tighten the screws to secure the fixture in place.

**1E**

- 8** Unscrew the finial from the nipple.
- 9** Place the diffuser onto the nipple and secure it against the shade pegs by re-installing the finial.

**NOTE:** Do not over tighten the finial. Over-tightening may break the glass and result in injury. Ensure that the silicone grommet in the diffuser is in place.

**SAVE THESE INSTRUCTIONS!**



**TECH LIGHTING®**

7400 Linder Ave, Skokie, IL 60077

847.410.4400

[www.techlighting.com](http://www.techlighting.com)

© 2016 Tech Lighting, L.L.C. All rights reserved. The "Tech Lighting" graphic is a registered trademark of Tech Lighting, L.L.C. Tech Lighting reserves the right to change specifications for product improvements without notification.

A Generation Brands Company