

120 Volt to 12 Volt Single Feed Two-Circuit 300W Remote Magnetic Transformers

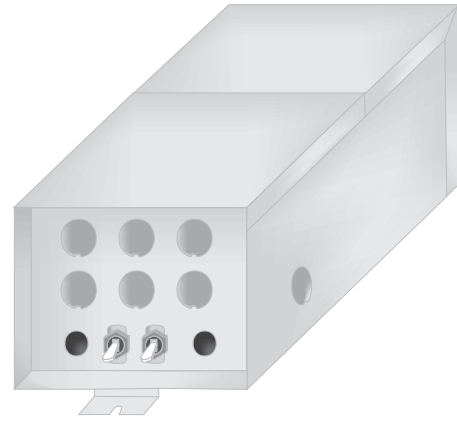
1.5

GENERATION BRANDS

TRANSFORMERS

CAUTION: RISK OF FIRE

This product requires installation by qualified electrician. Before installing be sure to read all instructions and **TURN THE POWER TO THE ELECTRICAL BOX OFF.**



GENERAL PRODUCT INFORMATION:



This transformer is ETL listed for use with low voltage lighting systems of brands offered by Encompass Lighting Group.

This product is suitable only for indoor dry locations and approved for use at any height above the finished floor.

A typical installation is shown. Specific installation must be in accordance with the local electrical codes.

All 120 volt transformer wires must be connected to the same phase.

This product may be dimmed only with a low voltage magnetic dimmer. Using a dimmer not designed for low voltage magnetic applications may work initially, but could eventually cause transformer failure and will void the warranty. The dimmer must be derated as indicated by the dimmer manufacturer.

This product is intended for use with Encompass Lighting Group brands of low voltage lighting systems only.

During installation, make sure all power connections are tight.

Read all instructions thoroughly. Read "Important Safety Information" on next column before proceeding with the installation.

Important Safety Information

Do not conceal or extend bus bar conductors through a building wall.

Do not install this lighting system in a damp or wet location.

To reduce the risk of fire and burns, do not install this lighting system where the uninsulated open bus bar conductors can be shorted or contact any conductive materials.

To reduce the risk of the system overheating and possibly causing a fire, make sure all the connections are tight.

Do not install fixture assemblies closer than six inches to curtains or similarly combustible materials.

Turn the electrical power off before modifying the lighting system in any way.

The fixtures used with the system must be identified for use with the corresponding system.

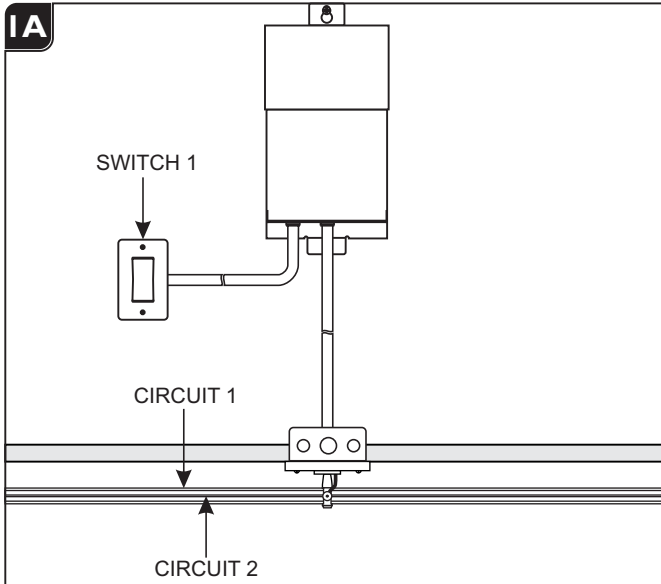
Minimum volume of the electrical box must be 6 cubic inches (98 cubic centimeters).

To Reduce Risk of Fire, it is important to wire the remote transformer for the system as described in this installation instruction.

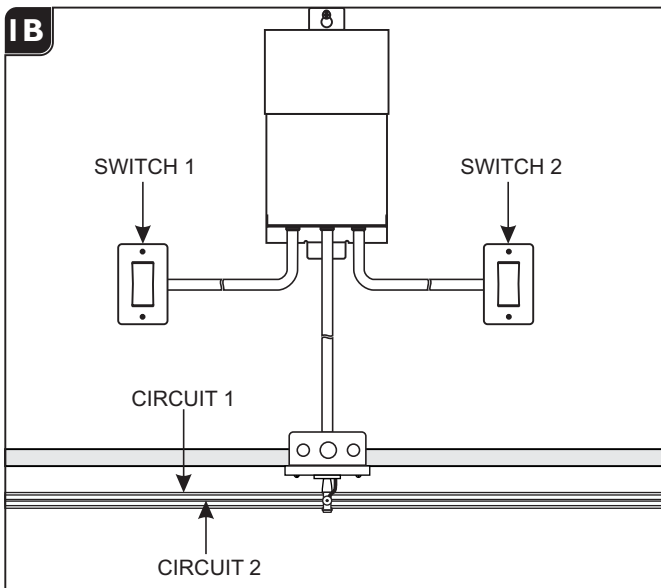
Load each circuit of the remote transformer to **MAXIMUM 300 Watt**.

Select the Switching Option

NOTE: Select one out of two possible switching options that fits the design.

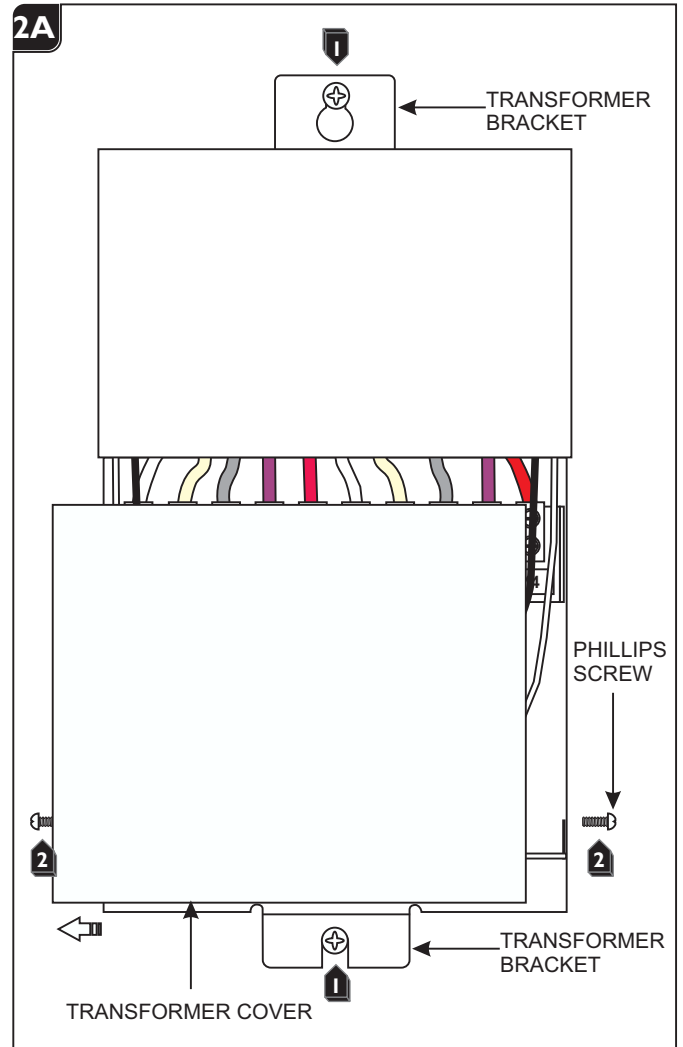


Switch 1 turns on/off both Circuits.



Switch 1 turns on/off Circuit 1 and Switch 2 turns on/off Circuit 2.

Install the Remote Transformer



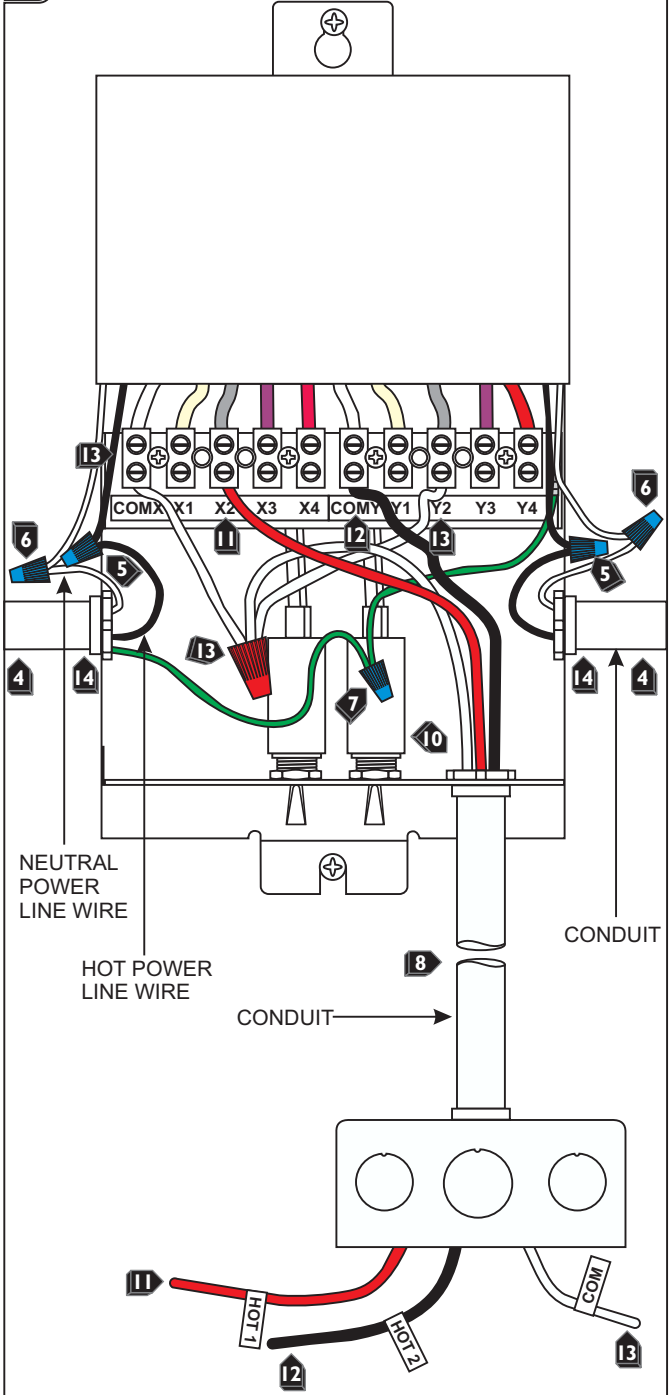
NOTE: In order to use small gage wires from the transformer to the electrical box, it is recommended to install the remote transformer near (if possible) the electrical box. See "Low Voltage Wire Size Table" below.

- 1 Mount the transformer to a solid surface using the keyhole slot on the mounting bracket (hardware not included).
- 2 Remove the transformer cover by loosening the two Phillips screws on the sides of the transformer.

LOW VOLTAGE WIRE SIZE TABLE

TRANSFORMER WATTAGE	WIRE SIZE FOR 5 FT	WIRE SIZE FOR 6-15 FT	WIRE SIZE FOR 16-20 FT	WIRE SIZE FOR 21-40 FT	WIRE SIZE FOR 40-60 FT	WIRE SIZE FOR 61-90 FT
300 WATT	#10 GA	#6 GA	#4 GA	#1 GA	#1/0 GA	#3/0 GA

2B



- 3 Install the conduit(s) and power line wires from the panel to remote transformer.
- 4 **Do not** connect the power line wires to the panel at this time.
- 5 Connect the 120V black transformer wire to the hot power line wire with a wire nut.
- 6 Connect the 120V white transformer wire to the neutral power line wire with a wire nut.
- 7 Connect the ground wire to the green wire or stud labeled "ground" in the console.

- 8 Install a conduit from the transformer to the electrical box.
- 9 For the best performance, use the "Low Voltage Wire Size Table" on page 2 to select the wire size.

NOTE: Other wire sizes that comply with electrical code can be used, but may result in an increased voltage drop and reduced lamp intensity.

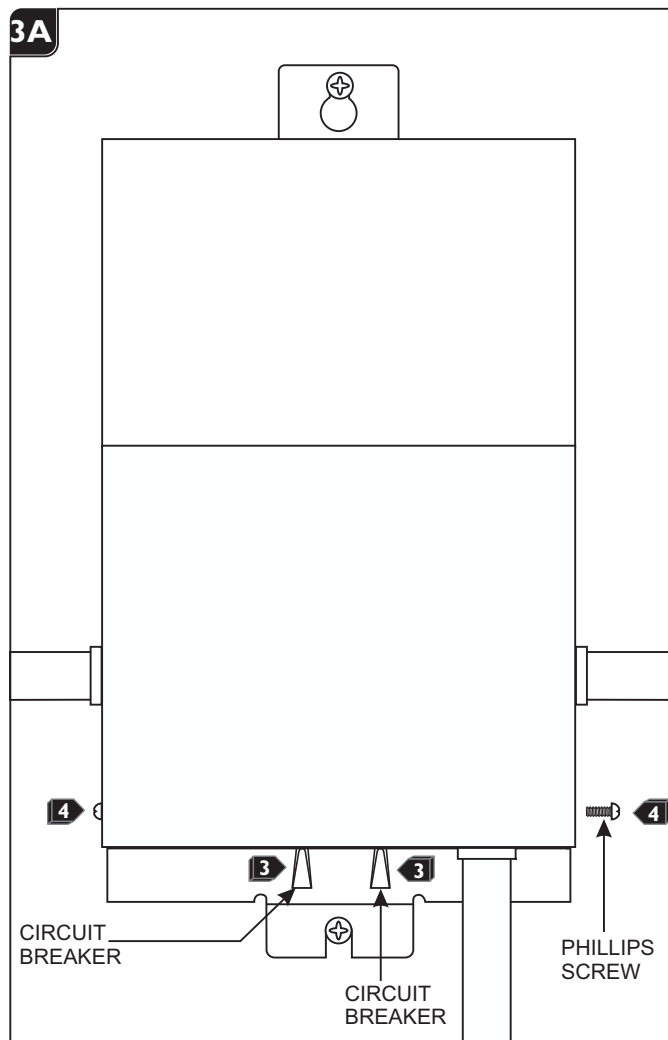
NOTE: The THHN wire sizes are for 3% or less drop in voltage based on 75 watt loads. Lengths are the distance from the transformer to the system power feed connector.

- 10 Install three low voltage wires from the transformer to the electrical power feed box.
- 11 Insert one low voltage wire into the "X2" terminal tap (default) and tighten the screw firmly. Mark this low voltage wire in the electrical power feed box as "HOT 1".
- 12 Insert the second low voltage wire into the "COMY" terminal and tighten the screw firmly. Mark this low voltage wire in the electrical power feed box as "HOT 2".
- 13 Cut two short pieces of low voltage wires (THHN). Insert one short low voltage wire into "COMX" terminal and the other one into "Y2" terminal tap (default) and tighten the screws. Connect these two short wires to the third low voltage wire with a wire nut. Mark this low voltage wire in the electrical power feed box as "COM".
- 14 Connect the 120 volt power line wires at the panel.
- 15 Measure the voltage at the power line wires coming into the transformer. If the voltage is not in the range of 115 - 120 volt, then pick the proper terminal tap using the "Terminal Tap Table" below to reconnect the low voltage wire that was connected to "X2" and the short wire that was connected to "Y2" terminal taps.

TERMINAL TAP TABLE		
PRIMARY POWER LINE VOLTAGE	TERMINAL TAP TO BE USED	TERMINAL TAP TO BE USED
105 - 109	X4	Y4
110 - 114	X3	Y3
115 - 120	X2	Y2
121 - 125	X1	Y1

WARNING: Risk of Fire - The terminal taps are not for boosting the transformer low voltage power, they are selected to ensure power output voltage based upon power line conditions. Never use a higher terminal tap to compensate for voltage drop, this may overheat the low voltage wires and transformer. It is recommended to use the wire size as indicated on "Low Voltage Wire Size Table" on page 2 to avoid excessive voltage drop.

Check the System



- 1 After installing the entire low voltage system, if the lamps have low intensity, then measure the voltage at the fixture closest to the power feed contacts with a voltmeter. The system must be at least 80% loaded and the voltmeter should read between 11V - 12V ~AC. If the voltage does not fall in this range, call Encompass Lighting Group "Technical Support" at 847-410-4606.
- 2 After installing the entire system, operate the system for five minutes. On the low voltage side, all electrical connection points should be no more than warm to the touch. If a connection is hot to the touch, retighten the connection and check to ensure that the temperature decreases.
- 3 The transformer circuit breaker will trip if there is a short in the system. After removing the cause of the short, the circuit breaker needs to be reset to power the system up.
- 4 Replace the transformer cover and tighten the two Phillips screws on the sides of the transformer.

SAVE THESE INSTRUCTIONS!

GENERATION BRANDS

7400 Linder Ave, Skokie, IL 60077

800.323.3226 - 847.626.6300

www.generation-brands.com

© 2012 Generation Brands. All rights reserved. The "Generation Brands" graphic is a registered trademark of Generation Brands. Generation Brands reserves the right to change specifications for product improvements without notification.

A Generation Brands Company