

# Tigris Mirror Oval Recessed (LED)

700BCTIGOR24\_-LED 1.0



## BATH COLLECTION

### GENERAL PRODUCT INFORMATION:



This product is suitable for indoor locations only.

This product may be dimmed with a low voltage electronic dimmer.

The wall cavity where the Tigris Mirror will be installed must be a minimum of 3.5" deep. Some modification to the studs may be required.

Bring power supply lines to the mirror in accordance with local electrical codes.

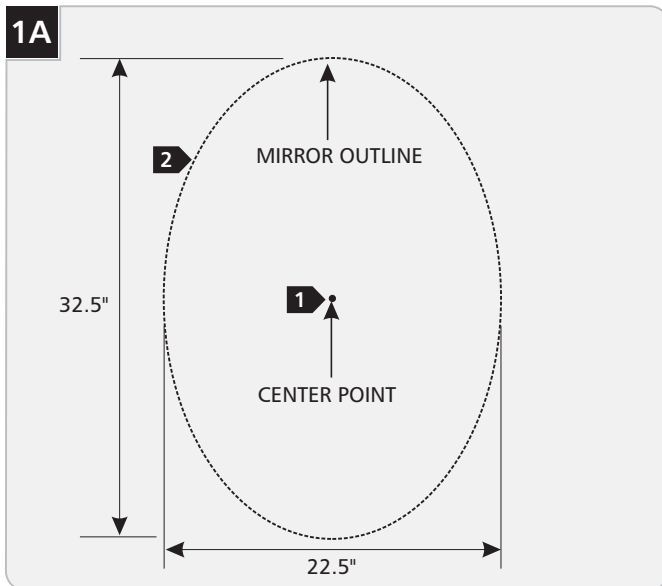
Metal bar expansion range is 24" - 42".

This instruction shows a typical installation.

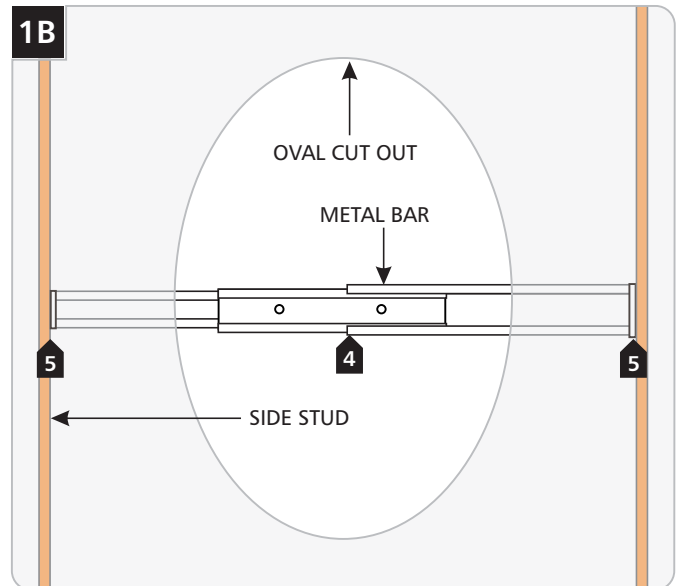


**CAUTION - RISK OF FIRE**  
 This product must be installed in accordance with the applicable installation code by a person familiar with the construction and operation of the product and the hazards involved.  
 Use minimum 90°C supply conductors.

## Install the Hardware

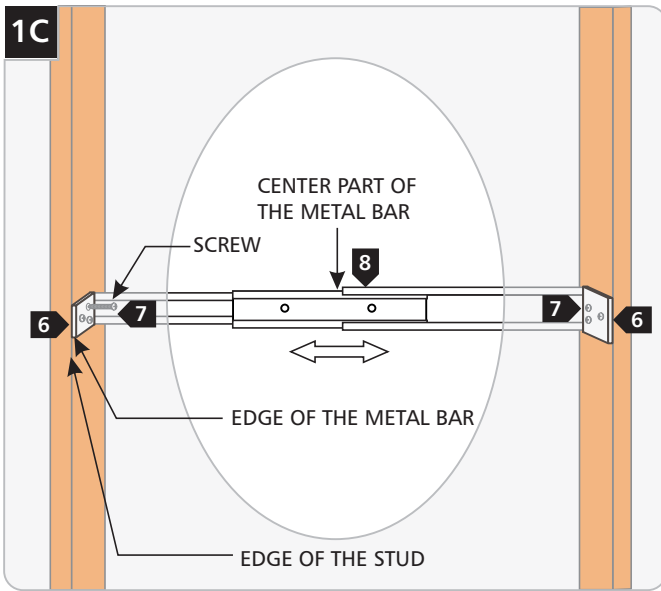


- 1 Use the provided template (22.5" x 32.5") to mark the center and outline of the mirror on the wall.
- 2 Cut out the marked outline on the wall.
- 3 If required, make any necessary modifications to the wall studs.



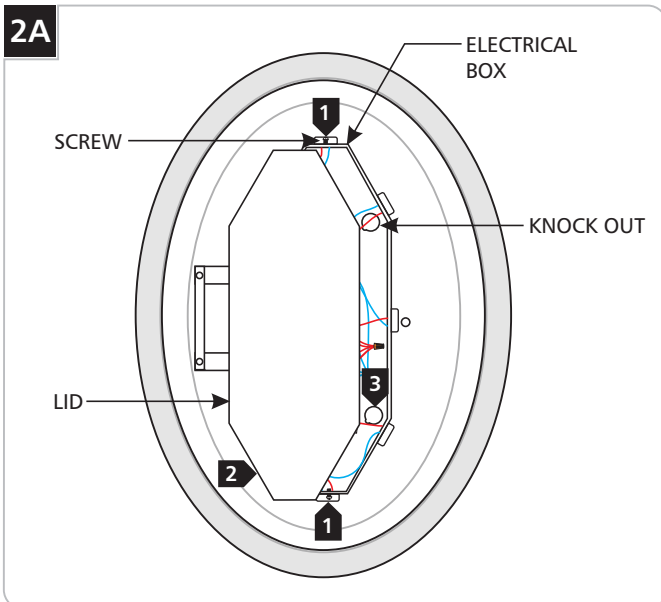
- 4 Center the metal bar vertically in the oval cut out.
- 5 Extend the metal bar (maximum 42") so that the ends touch the side studs.

## Connect the Power & Install the Pan

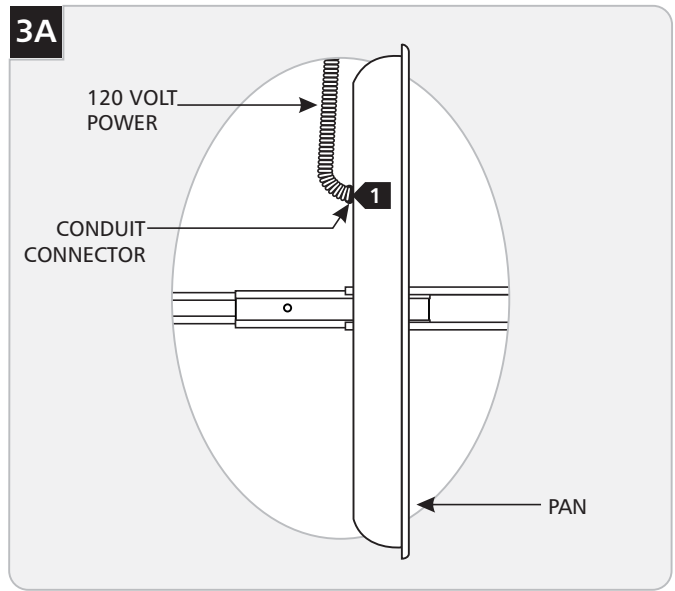


- 6** Line up the edge of the metal bar with the edge of the stud (where drywall is attached to) on each side.
- 7** Secure the metal bar to the studs with the six screws provided.
- 8** Center the metal bar horizontally by sliding the center part sideways.

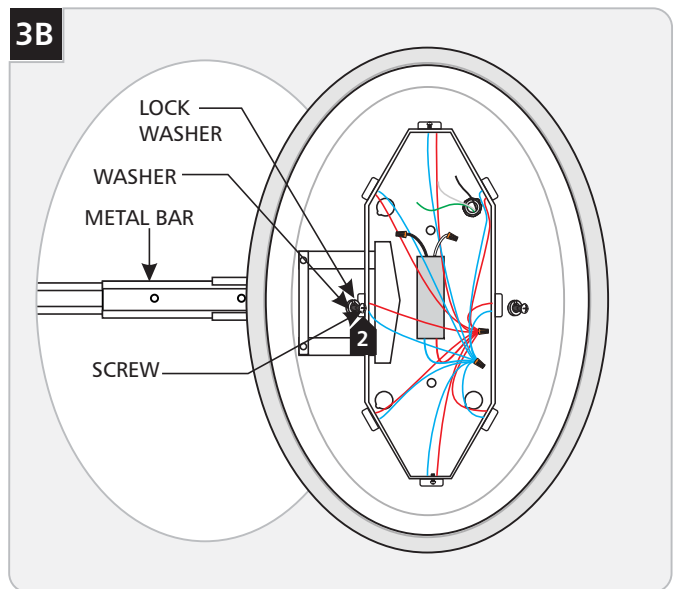
## Prepare the Mirror for Installation



- 1** Loosen (do not remove) the two screws on top and bottom of the electrical box in the center of the pan.
- 2** Remove the electrical box lid.
- 3** Remove one knockout and install the provided conduit connector.



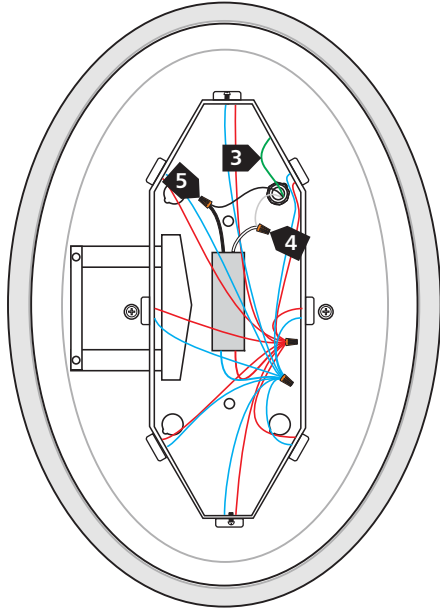
- 1** Connect the 120 volt power line conduit to the conduit connector.



- 2** Mount the pan to the metal bar with provided washers, lock washers and the screws.

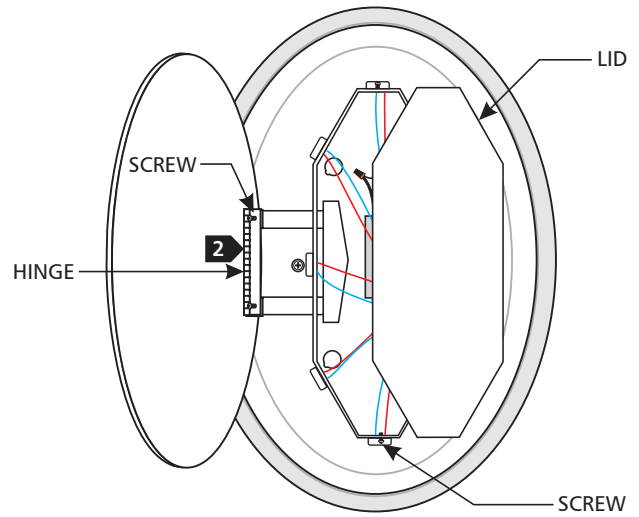
## Attach the Lid & Mirror

3C



- 3** Connect the fixture to a suitable ground in accordance with local electrical codes.
- 4** Connect the neutral power line wire to the white fixture wire with a wire nut.
- 5** Connect the hot power line wire to the black fixture wire with a wire nut.

4A



- 1** Replace the lid onto the electrical box and tighten the two screws.
- 2** Carefully attach the mirror onto the hinge and tighten the two screws.

**SAVE THESE INSTRUCTIONS!**



**TECH LIGHTING®**

7400 Linder Ave, Skokie, IL 60077

847.410.4400

[www.techlighting.com](http://www.techlighting.com)

© 2016 Tech Lighting, L.L.C. All rights reserved. The "Tech Lighting" graphic is a registered trademark of Tech Lighting, L.L.C. Tech Lighting reserves the right to change specifications for product improvements without notification.

A Generation Brands Company