

RL4 Aluminum Pathlyte with Mounting Stake



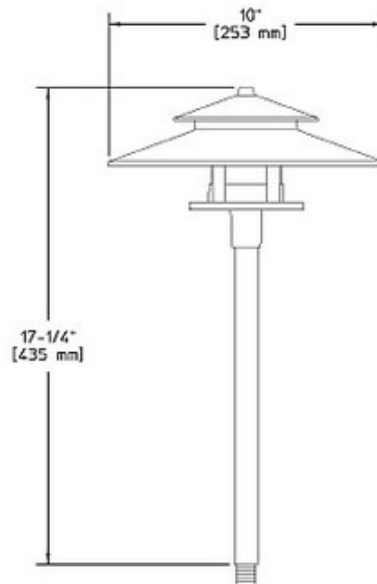
Description:

RL4 Aluminum Path Light is fabricated from die cast aluminum with extruded aluminum stem. .50 inch NPS male threads to screw onto mounting accessory stake, sold separately. Optional junction boxes available, but not required for low voltage fixtures. Thermoset polyester powdercoat finish in Bronze, Black or Verde. Frosted tempered glass lens. Spun aluminum reflector with white thermoset powdercoat. One 20 watt 12 volt JC G4 halogen lamp is included with fixture. Pre-wired with 3 foot pigtail of 18-2 AWG wire. Includes low voltage quick connector LVC3 for easy hook up to the low voltage supply cable not included. 10 inch width x 17.25 inch height. ETL listed for wet locations. Required remote transformer sold separately.

Shown in: Black / Frosted

List Price: \$114.58
 Our Price: \$68.75

- Shade Color: Frosted
- Body Finish: Black
- Lamp: 1 x JC/G4 (bipin)/20W/12V Halogen
- Wattage: 20W
- Dimmer: Dimmable
- Dimensions: 17.25"H x 10"W



Product Number: HAD21657			
Company:		Fixture Type:	Date: Feb 18, 2018
Project:		Approved By:	

#0810EL-RL4-017H1-FRBK

Phone: 866-954-4489 Fax: (773) 883-6131

Address: 1718 W. Fullerton Ave. Chicago IL 60614

www.Lightology.com