



**BRAND**

Cerno

**DESCRIPTION**

The Muto Pendant features planes of Walnut that work to both block and bounce light creating a very dynamic composition of light and shadow from any where in the room. While the pinwheel form has repeating elements that are symmetrical when viewed in the room the fixture takes on sculptural qualities. Available with a Brushed Aluminum canopy complemented by Oiled Walnut or Dark Stained Walnut shade and frosted polymer diffuser. 2700K and 3500K color temperature options available. UL and cUL listed. Made in the USA. Prop 65.



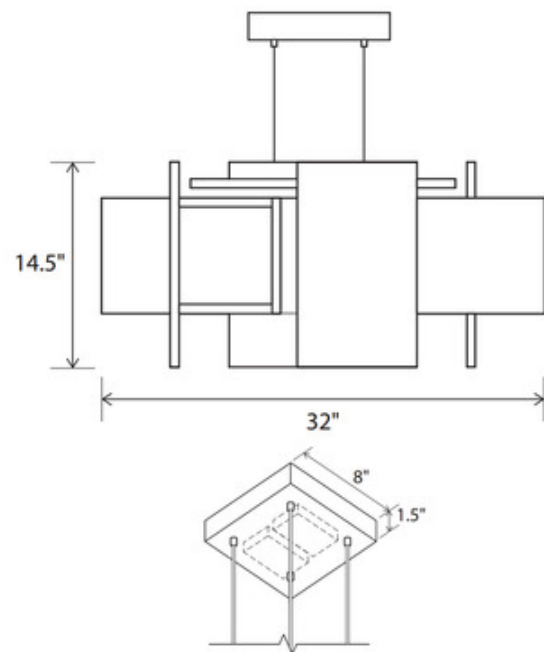
*Shown in: Brushed Aluminum / Oiled Walnut*

<b>SHADE COLOR</b>	Oiled Walnut
<b>BODY FINISH</b>	Brushed Aluminum
<b>WATTAGE</b>	25W
<b>DIMMER</b>	Low Voltage Electronic
<b>DIMENSIONS</b>	32"W x 14.5"H x 32"D
<b>INTEGRATED LED MODULE</b>	
<b>LAMP</b>	1 x LED/25W/120-277V LED

*Technical Information*

<b>LUMINOUS FLUX</b>	2626 lumens
<b>LUMENS/WATT</b>	105.04
<b>LAMP COLOR</b>	2700K
<b>COLOR RENDERING</b>	90 CRI

**SPEC #** CER104436



COMPANY	PROJECT	FIXTURE TYPE	APPROVED BY	DATE