

NW7000E 4.25 Inch 50W Non-IC New Construction Housing



Description:

NW7000E 4.25 inch low voltage Non-IC new construction housing. Cannot be used in contact with insulation and should be at least 3 inches away from insulation. Below ceiling accessible. 120V to 12V electronic transformer included. Takes up to a 7/8 inch ceiling. One 50 watt, 12 volt GU5.3 MR16 bulb is required, but not included. Dimmable with a low voltage electronic dimmer. See attached dimmer compatibility reference when using LED bulb option. Suitable for damp locations. UL listed. 4.25 inch ceiling cut out. 11.4 inch length x 7.3 inch width x 4.75 inch height. A complete fixture includes a housing and trim, sold separately.



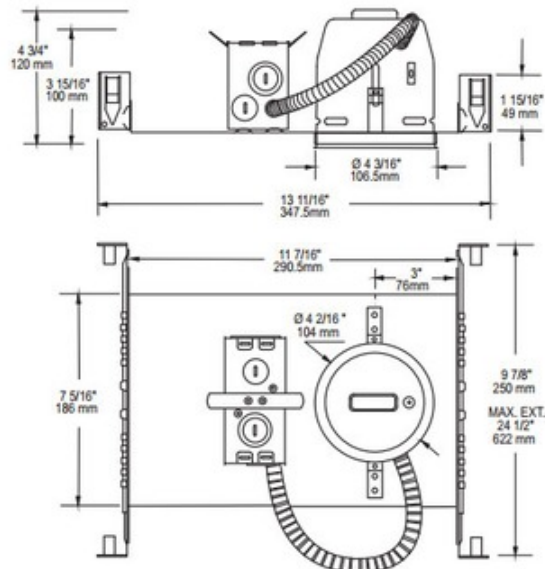
Shown in: Galvanized Steel

List Price: \$125.25
 Our Price: \$76.65

Shade Color: N/A
 Body Finish: Galvanized Steel
 Lamp: 1 x MR16/GU5.3 (bipin)/50W/12V Halogen
 1 x MR16/GU5.3 (bipin)/12V LED
 Wattage: 50W
 Dimmer: Low Voltage Electronic
 Dimensions: 11.4"L x 4.75"H x 7.3"W

Technical Information

Ceiling Type: Drywall with Trim
 Housing Type: New Construction NON IC
 Housing Height: 5"
 Aperture Shape: Round
 Aperture Size: 4.000"



Product Number: CLT106647			
Company:		Fixture Type:	Date: Apr 25, 2018
Project:		Approved By:	

#0314NH-NW7000E-01 1H1-XXXX

Fax: (773) 883-6131

Phone: 866-954-4489

Address: 1718 W. Fullerton Ave. Chicago IL 60614

www.Lightology.com