

IT2000E 4 Inch 50W ELV Non-IC Remodel Housing



Description:

IT2000E 4 inch low voltage Non-IC remodel housing is equipped with thermal protection and is suitable for damp locations. Cannot be used in contact with insulation and should be at least 3 inches from insulation. Electronic 120 volt to 12 volt transformer included. Takes up to 7/8 inch thick ceiling. Below ceiling accessible. One 50 watt, 12 volt GU5.3 MR16 bulb is required, but not included. Dimmable with a low voltage electronic dimmer. See attached manufacturer dimmer compatibility reference when using LED bulb. Suitable for damp locations. UL listed. 4.25 inch ceiling cut out. 13.6 inch length x 5 inch width x 4.6 inch height. A complete fixture includes a housing and trim, sold separately.



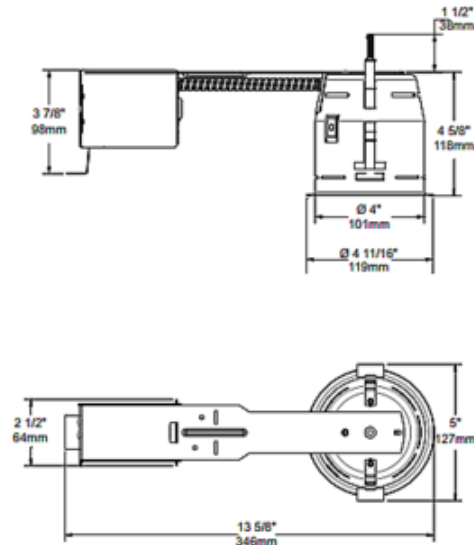
Shown in: Galvanized Steel

List Price: \$101.00
 Our Price: \$61.81

Shade Color: N/A
 Body Finish: Galvanized Steel
 Lamp: 1 x MR16/GU5.3 (bipin)/50W/12V Halogen
 1 x MR16/GU5.3 (bipin)/12V LED
 Wattage: 50W
 Dimmer: Low Voltage Electronic
 Dimensions: 13.6"L x 4.6"H x 5"W

Technical Information

Ceiling Type: Drywall with Trim
 Housing Type: Remodel NON IC
 Housing Height: 5"
 Aperture Size: 4.000"



Product Number: CLT106649			
Company:		Fixture Type:	Date: Apr 23, 2018
Project:		Approved By:	