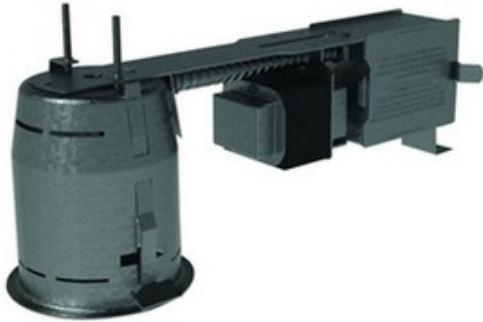


IT7000E 4.25 Inch 50W ELV Non-IC Remodel Housing



Description:

IT7000E 4.25 Inch Low Voltage Non-IC Remodel Housing is designed for non insulated remodel applications. Non-IC designation requires that insulation be kept a minimum of 3 inches away from housing. Takes up to 7/8 inch ceiling thickness. Low voltage 12 volt electronic transformer included. One 50 watt, 12 volt GU5.3 MR16 bulb is required, but not included. Dimmable with a low voltage electronic dimmer. See attached manufacturer dimmer compatibility reference when using LED bulb option. Suitable for damp locations. UL listed. 4.3 inch ceiling cut out. 13.25 inch length x 5 inch width x 4.5 inch height. A complete fixture includes a housing and trim, sold separately.



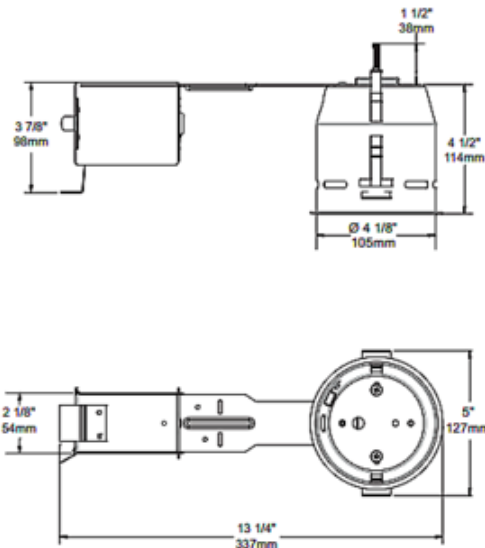
Shown in: Galvanized Steel

List Price: \$113.50
 Our Price: \$81.72

Shade Color: N/A
 Body Finish: Galvanized Steel
 Lamp: 1 x MR16/GU5.3 (bipin)/50W/12V Halogen
 1 x MR16/GU5.3 (bipin)/12V LED
 Wattage: 50W
 Dimmer: Low Voltage Electronic
 Dimensions: 13.25"L x 4.5"H x 5"W

Technical Information

Ceiling Type: Drywall with Trim
 Housing Type: Remodel NON IC
 Housing Height: 5"
 Aperture Size: 4.000"



Product Number: CLT106654			
Company:		Fixture Type:	Date: Mar 19, 2018
Project:		Approved By:	

#0314RH-IT7000E-013H1-XXGS

Fax: (773) 883-6131

Phone: 866-954-4489

Address: 1718 W. Fullerton Ave. Chicago IL 60614

www.Lightology.com