

T3450W 3.5 Inch Adjustable Wall Wash Trim



Description:

T3450W 3.5 Inch Round Adjustable Wall Wash Trim is made of plated die-formed steel or powder coat painted finish with anodized aluminum reflector. Trim finish available in White, Black, Gold Plated 24K, Chrome, Brushed Chrome, Architectural Bronze, Antique Copper, Matte White, Brushed Nickel, Satin Nickel, Metallic Grey or Antique Nickel. Additional reflector finishes include specular Clear or Black, or painted White, Black or Matte White. See attached manufacturer specification for housing/trim combination options. Lamp options include 12 volt GU5.3 MR16 halogen up to 50 watts, 120 volt PAR16 LED up to 8 watts, 12 volt GU5.3 MR16 LED up to 11.5 watts, and 120 volt GU10 MR16 LED up to 9.8 watts. Use supplied glass lens only with MR16 lamps with no glass cover. See housing for dimmer information. UL listed. Suitable for damp locations. 1 year warranty. 3 5/8 inch ceiling cutout. 4.4 inch diameter x 2 inch height. 2.6 inch diameter aperture. A complete fixture includes a housing and trim, sold separately.

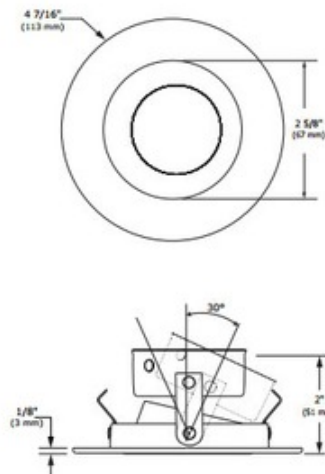
Shown in: Matte White/ Anodized Reflector

List Price: \$57.00
Our Price: \$41.04

Shade Color: N/A
Body Finish: Matte White/ Anodized Reflector
Lamp: 1 x MR16/GU5.3 (bipin)/50W/12V Halogen
 1 x MR16/GU5.3 (bipin)/12V LED
 1 x PAR16/Medium (E26)/120V LED
 1 x MR16/GU10/120V Halogen
 1 x MR16/GU10/120V LED

Wattage: 50W
Dimmer: Dimmable
Dimensions: 2"H x 4.4"W

Technical Information
Function: Wall Washer
Ceiling Type: Drywall with Trim
Aperture Shape: Round
Aperture Size: 2.600"



Product Number: CLT106887			
Company:		Fixture Type:	Date: Mar 17, 2018
Project:		Approved By:	