

Oliver Swing Arm Wall Light



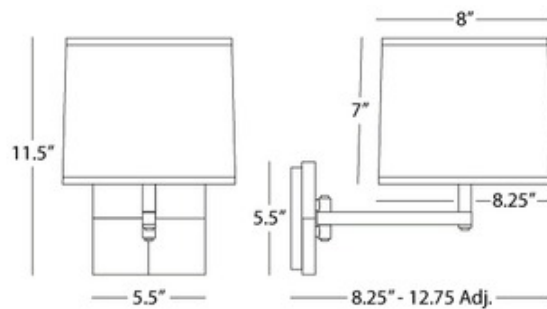
Description:

Oliver Swing Arm Wall Light available in an unfinished mango wood finish with patina nickel accents and open weave heather linen shade. Direct wire fixture. One 60 watt, 120 volt, B10 type candelabra base incandescent bulb is required, but not included. 8.25 inch width x 11.5 inch height x 12.75 inch depth.

Shown in: Unfinished Mango Wood/ Patina Nickel / Heather Linen

List Price: \$278.88
Our Price: \$223.10

Shade Color: Heather Linen
Body Finish: Unfinished Mango Wood/ Patina Nickel
Lamp: 1 x B10/Candelabra (E12)/60W/120V Incandescent
 1 x B10/Candelabra (E12)/120V LED
Wattage: 60W
Dimmer: Incandescent
Dimensions: 11.5"H x 8.25"W x 12.75"D



Product Number: RAB109471			
Company:		Fixture Type:	Date: Mar 20, 2018
Project:		Approved By:	

#1818WS-OLIVERW-00811-HLPN

Fax: (773) 883-6131

Phone: 866-954-4489

Address: 1718 W. Fullerton Ave. Chicago IL 60614

www.Lightology.com