



BRAND

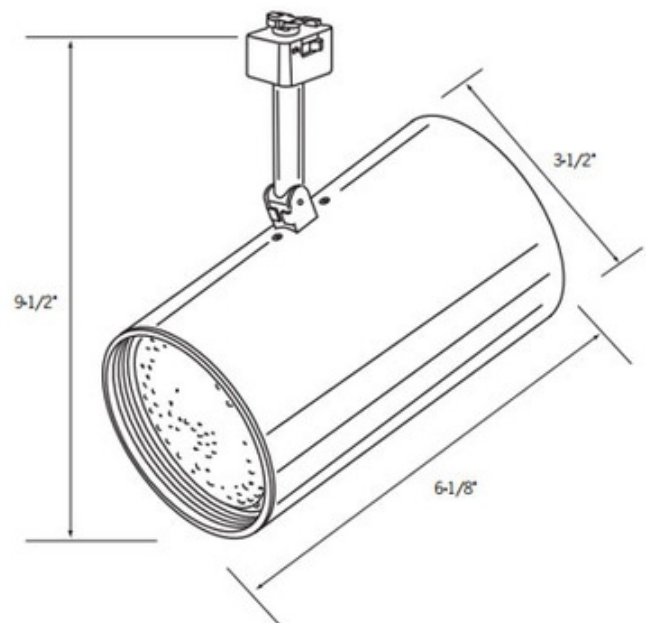
ConTech

DESCRIPTION

Line Voltage PAR20 Flat Back Cylinder Track Fixture features a flat back design with deep black baffle to conceal lamp and provide glare control. Precise aiming and 350 degree rotation. Integral on-off switch and track polarity indicator are standard. Finish available in Black or White. For use with Con-Tech systems only. One 50 watt 120 volt PAR20 or one 75 watt 120 volt R20 lamp is required, but not included. 3.5 inch width x 6.1 inch depth x 9.5 inch height. Suitable for dry locations. UL listed.



SHADE COLOR	N/A
BODY FINISH	Black
WATTAGE	50W
DIMMER	Dimmable
DIMENSIONS	3.5"W x 9.5"H x 6.1"D
BULB NOT INCLUDED	
LAMP	1 x PAR20/Medium (E26)/50W/120V Halogen 1 x R20/Medium (E26)/75W/120V Incandescent



SPEC # CNT109647

COMPANY	PROJECT	FIXTURE TYPE	APPROVED BY	DATE