

CTL603A Line Voltage PAR Universal Lampholder Track Fixture



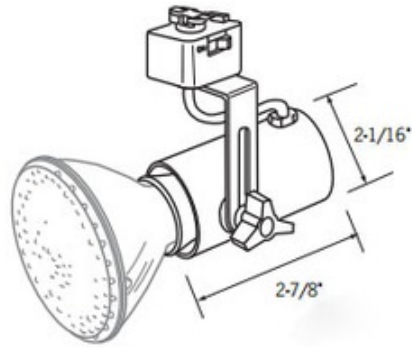
Description:

Line Voltage PAR Universal Lampholder Track Fixture with Side Swivel features a vertical slide adjustment that allows for numerous fixture heights. Half-yoke mounting design minimizes fixture presence. For use with Con-Tech systems only. Precise, rigid aiming and full 350 degree horizontal rotation. Integral on-off switch and track polarity indicator are standard. Finish available in Black, White or Silver. Socket position for short neck PAR30 lamps. One 120 volt, 50 watt PAR20, 75 watt PAR16, 75 watt PAR30S short neck, or 250 watt PAR38 medium base halogen lamp or LED equivalent is required, but not included. 2.1 inch width x 2.9 inch depth. UL listed. Suitable for dry locations.

Shown in: Silver

List Price: \$40.00
Our Price: \$21.60

- Shade Color:** N/A
- Body Finish:** Silver
- Lamp:**
 - 1 x PAR30S/Medium (E26)/75W/120V Halogen
 - 1 x PAR20/Medium (E26)/50W/120V Halogen
 - 1 x PAR16/Medium (E26)/75W/120V Halogen
 - 1 x PAR38/Medium (E26)/250W/120V Halogen
 - 1 x PAR30S/Medium (E26)/120V LED
 - 1 x PAR16/Medium (E26)/120V LED
 - 1 x PAR20/Medium (E26)/120V LED
 - 1 x PAR38/Medium (E26)/120V LED
- Wattage:** 75W
- Dimmer:** Incandescent
- Dimensions:** 2.1"W x 2.9"D



Product Number: CNT 10969 1			
Company:		Fixture Type:	Date: Mar 23, 2018
Project:		Approved By:	

#0313TF-UNIVERS-002H1-XXSL

Fax: (773) 883-6131

Phone: 866-954-4489

Address: 1718 W. Fullerton Ave. Chicago IL 60614

www.Lightology.com