



BRAND

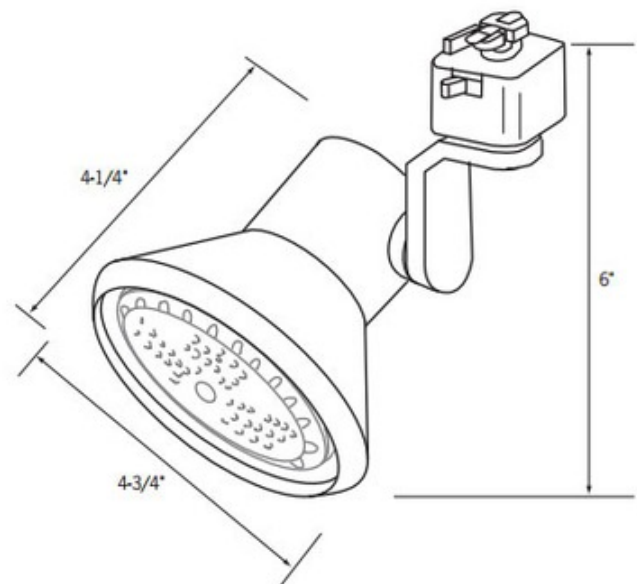
ConTech

DESCRIPTION

PAR30 Lampholder With Reflector Cone Line Voltage Track Fixture has a low profile molded side swivel design with Sure-Set precise aiming for use with Con-Tech systems only. Short barreled reflector cone lampholder assembly is made of formed steel. Track connector and fixture arm are Black finish with the reflector cone in Satin Chrome finish. Integral on-off switch and track polarity indicator are standard. One 75 watt 120 volt PAR30 medium base lamp is required, but not included. Suitable for dry locations. UL listed.



SHADE COLOR	N/A
BODY FINISH	Satin Chrome
WATTAGE	75W
DIMMER	Standard 120V
DIMENSIONS	4.75"W x 6"H x 4.25"D
BULB NOT INCLUDED	
LAMP	1 x PAR30/Medium (E26)/75W/120V Halogen



SPEC #

CNT109703

COMPANY

PROJECT

FIXTURE TYPE

APPROVED BY

DATE