



BRAND

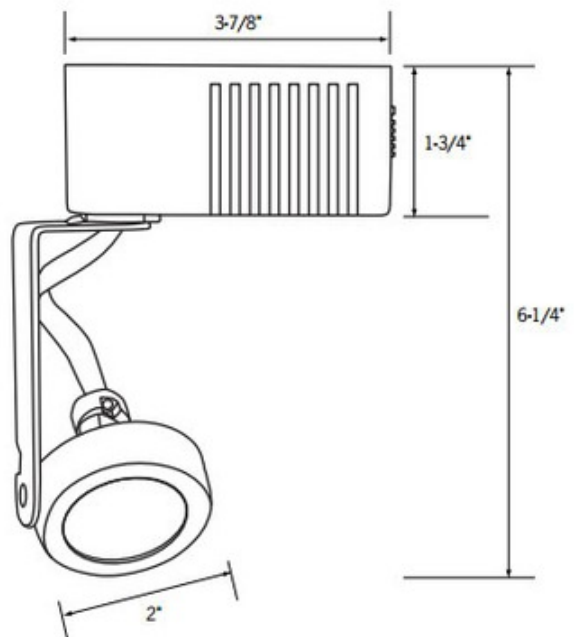
ConTech

DESCRIPTION

CTL816T Low Voltage Long Gimbal Style Track Fixture designed for 12 volt MR16 lamps. Sure-set yoke design provides accurate aiming, holding fixture in position with one knob. 358 degree aiming. Finish available in White, Black or Silver. Includes solid state electronic transformer encased in a polycarbonate housing and a clear, tempered glass lens for use with open MR16 lamps. One 50 watt, 12 volt GU5.3 MR16 halogen lamp or LED equivalent is required, but not included. cCSAus Certified. Suitable for dry locations. 2.1 inch diameter x 6.25 inch length. For use with ConTech 1-circuit 120 volt line voltage track system.



SHADE COLOR	N/A
BODY FINISH	White
WATTAGE	7W
DIMMER	Dimmable
DIMENSIONS	6.25"L x 2.1"W
BULB NOT INCLUDED	
LAMP	1 x MR16/GU5.3 (bipin)/7W/12V LED



SPEC #

CNT109767

COMPANY

PROJECT

FIXTURE TYPE

APPROVED BY

DATE