

CTL1216T Closed Back MR16 Track Fixture 12V



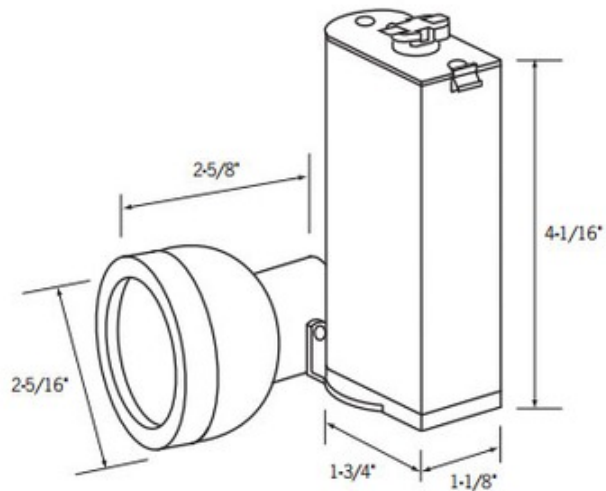
Description:

CTL1216T Closed Back Track Fixture features die-cast construction with a closed back MR16 bullet design for front lamp replacement. Finish available in Black, White or Silver. Includes vertical electronic transformer. Adjustable to 180 degree horizontal rotation and 180 design vertical rotation. Equipped with a regressed track adapter and polarity indicator. One 50 watt 12 volt GU5.3 MR16 halogen lamp or LED equivalent is required, but not included. Includes clear, tempered safety glass lens for use with open lens MR16 lamps. Optional optical accessories available, sold separately. 2.3 inch width x 2.6 inch height x 4.1 inch length. cCSAus Certified. Suitable for dry locations. For use with ConTech 1-circuit and 2-circuit 120 volt line voltage track systems.

Shown in: Black

List Price: \$150.00
 Our Price: \$81.00

Shade Color: N/A
 Body Finish: Black
 Lamp: 1 x MR16/GU5.3 (bipin)/50W/12V Halogen
 1 x MR16/GU5.3 (bipin)/12V LED
 Wattage: 50W
 Dimmer: Dimmable
 Dimensions: 4.1"L x 2.63"H x 2.31"W



Product Number: CNT109775			
Company:		Fixture Type:	Date: Mar 24, 2018
Project:		Approved By:	

#0313TF-CLOSED-002L1-XXBK

Phone: 866-954-4489 Fax: (773) 883-6131

Address: 1718 W. Fullerton Ave. Chicago IL 60614

www.Lightology.com