



BRAND

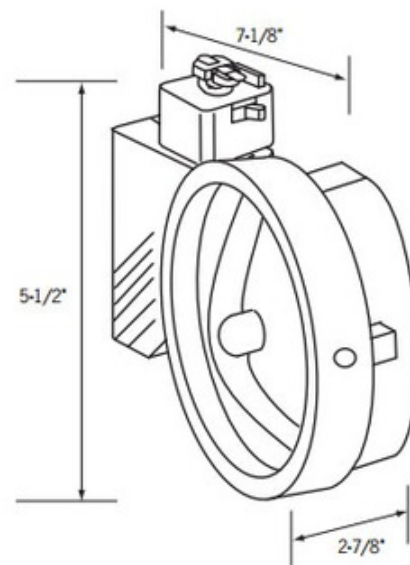
ConTech

DESCRIPTION

CTL9836T Micro Lyte AR111Track Fixture features side by side design with a vertical positioned electronic transformer. Finish available in White, Black or Silver. Fully adjustable lampholder with 90 degree vertical in both directions and 356 degree horizontal. A convenient snap-off socket holder completes the electrical connection to the lamp terminals. Integral on-off switch and track polarity indicator are standard. One 75 watt, 12 volt AR111 lamp is required, but not included. Will accept FA-36 accessory clips and one LF30 lens, sold separately. 7.1 inch with x 2.9 inch depth x 5.5 inch length. Will accept FA-36 accessory clips and one cULus listed. Suitable for dry locations. For use with ConTech 1-circuit and 2-circuit 120 volt line voltage track systems.



SHADE COLOR	N/A
BODY FINISH	Silver
WATTAGE	75W
DIMMER	Dimmable
DIMENSIONS	5.5"L x 7.1"W x 2.9"D
BULB NOT INCLUDED	
LAMP	1 x AR111/G53 (M4)/75W/12V Halogen



SPEC # CNT109787

COMPANY	PROJECT	FIXTURE TYPE	APPROVED BY	DATE