

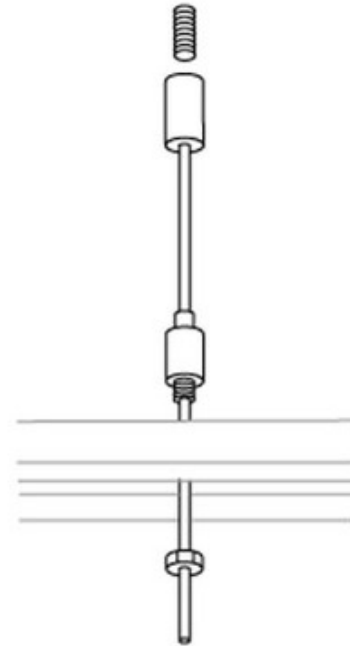


BRAND

ConTech

DESCRIPTION

Cable mounting kit includes cable coupler threaded for 1/4-20 stud, cable holder with lock nut, 1/16 inch galvanized cable, 1/4-20 hanger bolt and T-bar mounting clip with 1/4-20 stud. Available in 24, 48 and 180 inch lengths. For use with single or two circuit track.



SHADE COLOR	N/A
BODY FINISH	Steel
WATTAGE	N/A
DIMMER	N/A
DIMENSIONS	24"L
LAMP	N/A

SPEC # CNT110158

COMPANY	PROJECT	FIXTURE TYPE	APPROVED BY	DATE