



BRAND

Juno Lighting

DESCRIPTION

5 Inch 900 Lumen LED IC Remodel Housing is a dedicated LED, Air-Loc sealed remodel housing with integral light engine. Shallow housing allows for fit in 2 x 6 construction. IC designation allows for housing to be completely covered with insulation. For remodel applications where back side of ceiling is not accessible. Installs through an opening in the ceiling from below. Fully sealed housing stops infiltration and exfiltration of air reducing heating and air cooling costs without the use of additional gaskets. Replaceable light engine mounts directly to housing and incorporates the latest generation high lumen output LED array. Comparable light output to a 75 watt PAR30 incandescent while consuming less than 16 watts. Available with 2700K, 3000K, 3500K or 4100K color temperature, 90 minimum CRI. Wide flood distribution shipped as standard with optional optic accessories available and sold separately. 120 volt only driver is dimmable with the use of most incandescent, magnetic low voltage and electronic low voltage wall box dimmers (see attached manufacturer dimmer compatibility reference). Life rated for 50,000 hours at 70 percent lumen maintenance. UL listed for damp locations. Energy Star qualified with specific trims. 13.5 inch length x 5.9 inch width x 4.9 inch height. A complete fixture includes a housing and trim, sold separately.

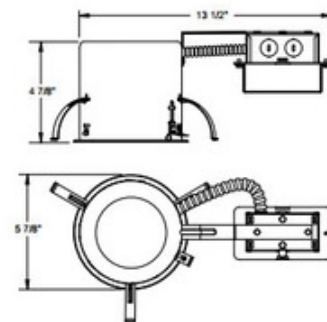


TRIM COLOR	N/A
BODY FINISH	Aluminum
WATTAGE	16W
DIMMER	Dimmable
DIMENSIONS	13.5"L x 5.9"W x 4.9"H
INTEGRATED LED MODULE	
LAMP	1 x LED/16W/120V LED

Technical Information

LUMINOUS FLUX	900 lumens
LUMENS/WATT	56.25
LAMP COLOR	2700K
COLOR RENDERING	90 CRI
LAMP LIFE	50000 hours
CEILING TYPE	Drywall with Trim
HOUSING TYPE	Remodel IC

SPEC # JUN111029



5 1/2" CEILING CUTOUT

COMPANY	PROJECT	FIXTURE TYPE	APPROVED BY	DATE