

# 838LED Outdoor Step Light Power Module Trim



**Description:**

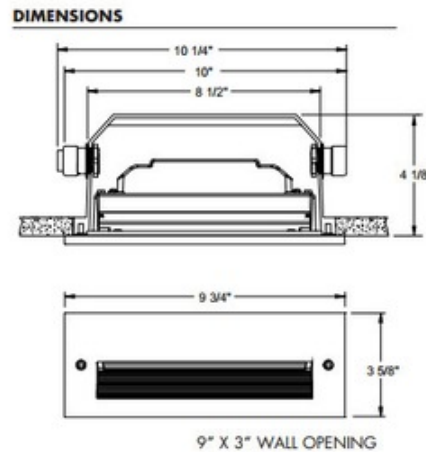
The Performance LED step light power module trim is rated for use in outdoor or indoor wall mount applications including pour, brick masonry or drywall. Trim finish available in textured Black, Bronze, Silver or White finish. Matte textured diffuser supplied with all trims. LED light engine and driver mounted directly to trim assembly for ease of wiring and installation into housing after rough in. Available in 3000K or 4100K color temperature. Non-dimming driver accommodates input voltage of 120 volts AC at 50-60Hz. Power factor less than .9 at 120 volt input. Driver is thermally protected and has integral overload and short circuit protection. Life rated for 50,000 hours at 70 percent lumen maintenance. UL listed for wet locations. IP65 rated. 9.75 inch width x 4.1 inch depth x 3.6 inch height. For use with back housing IC115LEDHSG sold separately.

Shown in: Black

List Price: \$241.98  
 Our Price: \$145.19

Shade Color: N/A  
 Body Finish: Black  
 Lamp: 1 x LED/13W/120V LED  
 Wattage: 13W  
 Dimmer: Not Dimmable  
 Dimensions: 3.6"H x 9.75"W x 4.1"D

Technical Information  
 Lamp Color: 3000 K



Product Number: <b>JUN111480</b>			
Company:		Fixture Type:	Date: Apr 23, 2018
Project:		Approved By:	

#1000SL-838LED3-010L1-XXBK

Fax: (773) 883-6131

Phone: 866-954-4489

Address: 1718 W. Fullerton Ave. Chicago IL 60614

www.Lightology.com